

Harvia Qube

Electric sauna heater

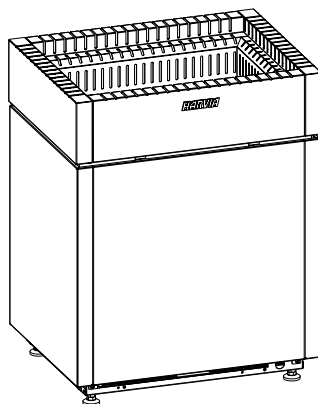
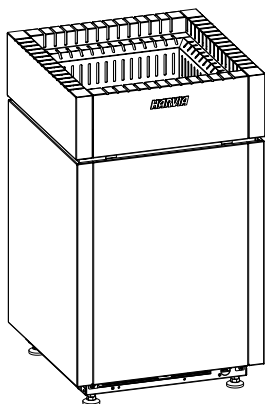
Instructions for installation and use

HARVIA

Sauna & Spa

Let's sauna.

Item no.	Type	Power
HQU904M	QU90E	9 kW
HQU1054M	QU105E	10.5 kW
HQU1204M	QU120E	12 kW
HQU1504M	QU150E	15 kW



EN

DE

FR

NL

FI

SV

ET

LV

LT

RU

PL

CS

SL

ES

IT

Congratulations on your excellent choice of sauna heater!

A Harvia sauna heater works best and will serve you for a long time if used and maintained as described in this manual. Please read the instructions before installing or using the sauna heater. Keep the guide for future reference. Installation and operating instructions can also be found on our website at www.harvia.com.

Contents

1. WARNINGS AND NOTES	3
2. BEFORE INSTALLATION	7
3. DELIVERY CONTENTS	8
4. INSTALLATION EXAMPLE.....	8
5. TECHNICAL DATA.....	9
6. INSTRUCTIONS FOR INSTALLATION.....	11
6.1. Safety distances.....	11
6.2. Sauna heater installation.....	12
6.3. Installing the control unit and sensors.....	13
6.4. Electrical connections.....	14
6.5. Insulation resistance of the electric sauna heater.....	16
6.6. Placing of sauna stones.....	17
7. SAUNA ROOM.....	18
7.1. Sauna room structure.....	18
7.2. Sauna heater power.....	18
7.3. Darkening of sauna walls.....	19
7.4. Ventilation in the sauna room.....	19
7.5. Sauna room hygiene.....	20
8. INSTRUCTIONS FOR USE.....	20
8.1. Use of the sauna heater.....	20
8.2. Throwing water.....	20
8.3. Water-quality requirements.....	21
8.4. Bathing instructions.....	21
9. REGULAR UPKEEP AND MAINTENANCE.....	21
9.1. Sauna heater stones.....	21
9.2. Troubleshooting.....	22
9.3. Changing of heating elements.....	23
10. SPARE PARTS.....	24
11. WARRANTY TERMS.....	24

1. WARNINGS AND NOTES



Please read the warnings and instructions carefully before you use the device.



WARNING! Failure to heed this warning could result in serious injury or death.



CAUTION! Failure to heed this warning may result in minor or serious injury.



Do not cover!

Installation

- The sauna heater is designed to heat the sauna room to the required temperature. Use for any other purpose is prohibited. The control unit is designed to control the sauna heater and the sauna functions intended for the control unit. Use for any other purpose is prohibited.
- The device may only be connected to the mains by a qualified electrician in accordance with the regulations in force. The person responsible for the installation of the device must provide the user with the installation and operating instructions supplied with it, as well as the necessary training, before handing over the installation work.
- Always disconnect the device from the mains before servicing!
- Inspect the device for visible damage before installation and commissioning. Do not use a damaged device.
- Always observe the values given in the instructions for use of the device. Deviating from them causes a fire hazard.
- Only one electric heater may be installed in the sauna, unless otherwise stated in the instructions.
- The device must be installed in such a way that the warning texts remain easily readable after installation.
- The sauna heater or device must not be installed in a wall recess, unless otherwise specified in the instructions for use.
- If a guardrail is installed around the sauna heater, the safety distances indicated in the operating instructions for the heater must be observed.
- If you want to install accessories for the device, always follow the instructions for each specific accessory when installing or using them.
- Ensure adequate ventilation in the sauna room (air should be changed six times an hour).

- Do not position the supply air vent so that the air flow cools the heat sensor (see heat sensor installation instructions).
- If the mains cord is damaged, either the manufacturer or maintenance representative or other qualified person must change it to prevent any hazards.
- The use of a PVC insulated cable as the sauna heater connection cable is prohibited due to its thermal fragility.
- Always check the condition of the sauna junction box connectors when installing the sauna heater. We recommend screw connectors. Avoid spring-loaded connectors!
- Do not connect the power supply to the electric heater via a residual current circuit breaker.
- If the device is used in a public sauna without a timer, the power indicator light should be placed in the room from which the device is used.
- Always wear protective gloves during installation and maintenance and when adding sauna stones.
- Cover the heating elements completely with stones; a glowing bare heating element can cause a fire hazard!
- Do not place any objects or devices in or near the stone space of the sauna heater that could change the amount or direction of air flow through the heater.

EN

Use and bathing

- This device may be used by children aged 8 or over and by persons with reduced physical, sensory or mental capabilities or lack of experience and knowledge, provided they are supervised or instructed in the safe use of the device and understand the risks involved.
- Children are not allowed to play with the device. Children must not clean the appliance or perform any maintenance on the device without supervision.
- Exercise caution with the sauna heater when it is hot. The stones and metal parts of the sauna heater are hot enough to burn the skin.
- Always check that there are no objects on or near the sauna heater before switching it on.
- Ensure adequate ventilation the first few times the sauna heater is heated, as the sauna heater might produce an odour.
- Do not throw or pour too much water on the sauna heater at once, as this could cause scalding splashes.
- Do not throw water on the sauna heater when someone is near it.
- Do not use a ladle with a capacity or more than 0.2 litres.

- Do not use any type of water other than that specified in the sauna heater instructions.
- If using sauna fragrances in the water, only use fragrances intended for sauna water and follow their instructions for use.
- Prolonged time in a hot sauna raises body temperature, which may be dangerous.
- Keep children away from the sauna heater.
- Do not leave children, individuals with reduced mobility, the ill or otherwise infirm in the sauna alone.
- Check with a doctor if you have any health restrictions related to sauna use.
- Be careful when moving in the sauna, as the sauna benches or floor surfaces can be slippery.
- Do not enter a hot sauna if you are under the influence of alcohol, medicines, narcotics or any other intoxicating substances.
- Do not sleep in a heated sauna.
- A marine climate and other humid climates can corrode the metal surfaces of the sauna heater.
- Due to the risk of fire, do not use the sauna as a drying room for laundry. Electrical devices can also be damaged by high humidity.
- Do not reset the overheat protector by pressing the reset button until the cause of its tripping has been determined. The overheat protector should only be reset by a qualified service technician, unless otherwise stated in the instructions.
- When the on-time has elapsed, check that the sauna heater has definitely switched off and stopped heating.
- Hot stone chips falling from the sauna heater can damage floor coverings and cause a fire hazard.
- In public saunas where the sauna heater is used without a timer or continuously for longer periods than the factory-set timer on the sauna heater or control unit allows, the device must be monitored continuously.
- The sauna room and the area around the sauna heater should always be inspected before the sauna heater is switched on again or switched on remotely.
- The sauna room and the sauna heater environment should always be inspected before the device is put into standby mode for remote control or pre-timed operation.
- According to the product standard IEC/EN 60335-2-53 for electrically heated sauna heaters, control units with a remote start function may be used to control and regulate the sauna heater when an appropriate safety switch-off mechanism (door or safety switch) is installed on the sauna heater or sauna door.

Maintenance

- All maintenance operations requiring special skills must be carried out by a trained professional.
- Wipe the sauna heater from time to time with a damp cloth to remove dust and dirt. Use mild detergents if necessary. Do not use running water when cleaning.
- Before starting cleaning, make sure that the device has cooled down completely.
- Rearrange the stones or replace broken ones at least every year.

2. BEFORE INSTALLATION

- **The sauna heater should always be transported in an upright position only.**
- **The sauna heater can be lifted and moved by supporting it from the outer casing.**
- **Remove the protective film from the sauna heater before use.**

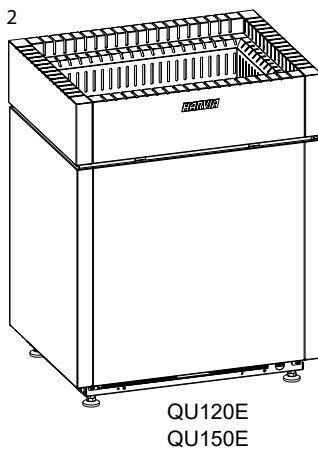
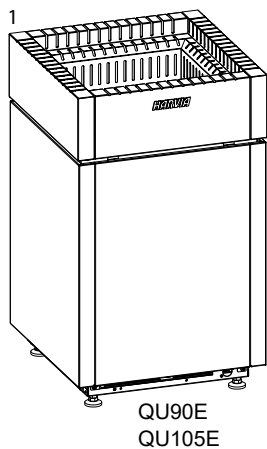


Checklist for installation of the sauna heater

- Check that the heater is intact. Do not use a defective sauna heater. Report any damage in transit to the supplier.
- The sauna heater is suitable in terms of power and type for the sauna room in question. The sauna volume values must not be exceeded or fallen short of (5. Technical information) (7.2. Sauna heater power)
- The supply voltage is suitable for the sauna heater.
- The sauna heater installation location meets minimum safety distances (6.1. Safety distances)
- The location of the temperature sensor/overheat protector is sauna heater-specific. Make sure that the sensor is installed according to the instructions.
- Make sure that the sauna heater stones are loaded according to the instructions.
- If accessories are to be installed, follow the product-specific instructions for installation and use.
- Make sure that the control unit is compatible with the sauna heater. You can check the compatibility of the latest control unit models on Harvia.com
- Please keep this manual for future reference.

EN

3. DELIVERY CONTENTS

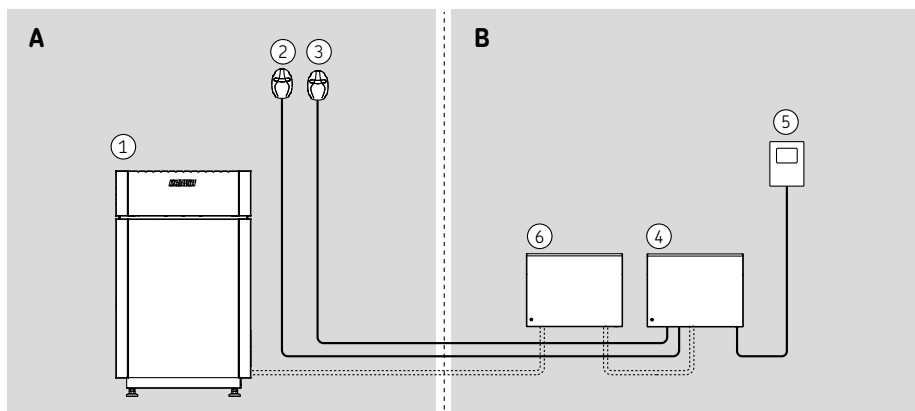


EN

1. Sauna heater

2. Instructions for installation and use

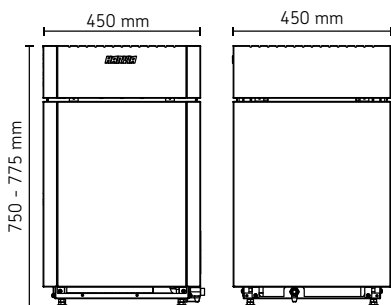
4. INSTALLATION EXAMPLE



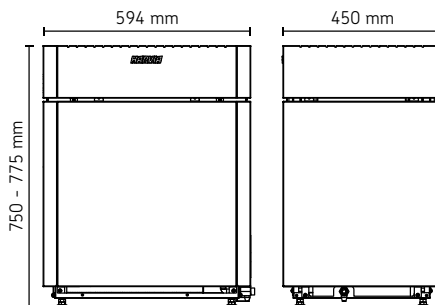
A. Sauna room	B. Dry space
1. Sauna heater	4. Power unit
2. Temperature sensor	5. Control panel
3. Bench sensor	6. Power extension (optional. Must use if 2 groups or more than 11kW)

5. TECHNICAL DATA

QU90E, QU105E



QU120E, QU150E



INSTALLATION DATA				
	QU90E	QU105E	QU120E	QU150E
Power (kW) sauna heater	9	10.5	12	15
Operating voltages	400 V 3N- 230 V 1N-	400 V 3N- 230 V 1N-	400 V 3N-	400 V 3N-
Electrical groups	1 group	1 group	2 groups	2 groups
Frequency (Hz)	50 / 60	50 / 60	50 / 60	50 / 60
Supply cable	5 x 2.5 mm ²	5 x 2.5 mm ²	5 x 2.5 mm ²	5 x 2.5 mm ²
Type of connection cable	H07RN-F or equivalent	H07RN-F or equivalent	H07RN-F or equivalent	H07RN-F or equivalent
Protection class	IPX4	IPX4	IPX4	IPX4
Storage temperature	0-50°C	0-50°C	0-50°C	0-50°C
STONES				
	QU90E	QU105E	QU120E	QU150E
Size of stones (cm)	Ø 5-10	Ø 5-10	Ø 5-10	Ø 5-10
Quantity of stones (kg)	25	25	40	40
DIMENSIONS				
	QU90E	QU105E	QU120E	QU150E
Height (mm)	750 - 775	750 - 775	750 - 775	750 - 775
Width (mm)	450	450	594	594
Depth (mm)	450	450	450	450
Weight (kg)	34	34	40	40

EN

SAUNA ROOM				
	QU90E	QU105E	QU120E	QU150E
Room volume (m ³)	9-14	10-15	14-18	18-25
Minimum sauna height (mm)	1900	1900	1900	1900
APPROVED ACCESSORIES				
	QU90E	QU105E	QU120E	QU150E
Heater railing	QUBE-L5 QUBE-W5	QUBE-L5 QUBE-W5	QUBE-L6 QUBE-W6	QUBE-L6 QUBE-W6
SFE safety devices	SFE-500500	SFE-500500	SFE-500500	SFE-500500
COMPATIBLE CONTROL UNITS				
	QU90E	QU105E	QU120E	QU150E
See the latest control unit models on our website harvia.com	FX110 CX110 C105VKK Pro B2 Pro C2 Pro D2 Pro D2i	FX110 CX110 C105VKK Pro B2 Pro C2 Pro D2 Pro D2i	FX170 CX170 C105VKK *) Pro B2 *) Pro C2 *) Pro D2 *) Pro D2i *)	FX170 CX170 C105VKK *) Pro B2 *) Pro C2 *) Pro D2 *) Pro D2i *)
POWER EXTENTION *)				
	QU90E	QU105E	QU120E	QU150E
See the latest power boost models on our website harvia.com	LTY17 0-S2-18 0-S2-18S	LTY17 0-S2-18 0-S2-18S	LTY17 0-S2-18 0-S2-18S	LTY17 0-S2-18 0-S2-18S
*) Must use if 2 groups or more than 11kW				

Table 1. Technical information

6. INSTRUCTIONS FOR INSTALLATION



Always observe the values given in the instructions for use of the device. Deviating from them causes a fire hazard.



Only one electric heater may be installed in the sauna, unless otherwise stated in the instructions.



The device must be installed in such a way that the warning texts remain easily readable after installation.

6.1. Safety distances

- Minimum protective distances to combustible material are shown in figure (Figure 1. Safety distances).
- If a guardrail is installed around the sauna heater, the safety distances given in figure (Figure 1. Safety distances) or in the installation instructions for the guardrail must be observed.

EN

(min. mm)

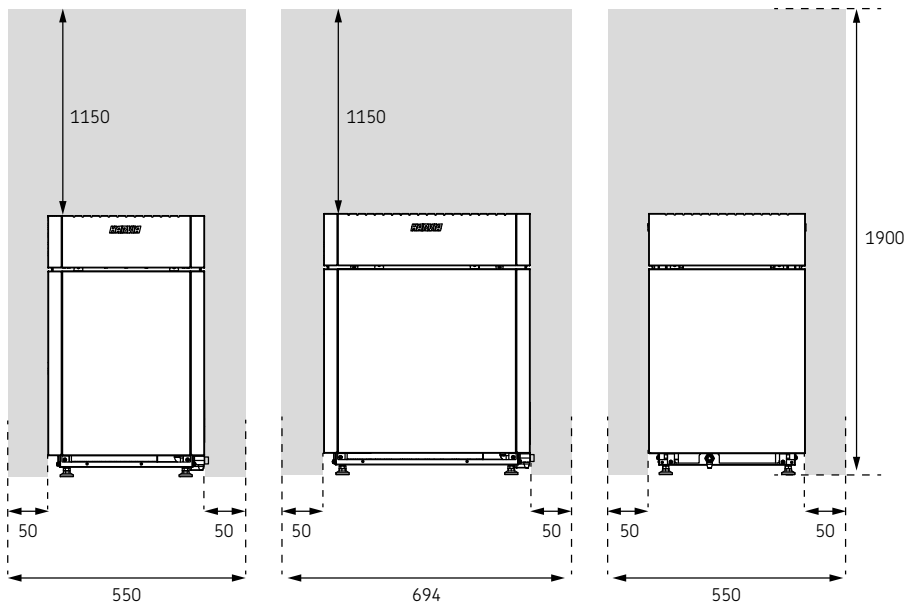


Figure 1. Safety distances

6.2. Sauna heater installation

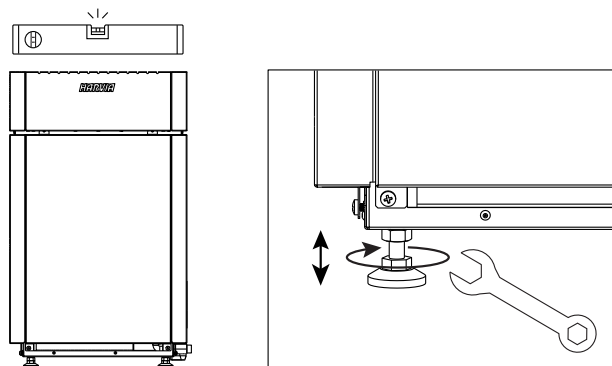


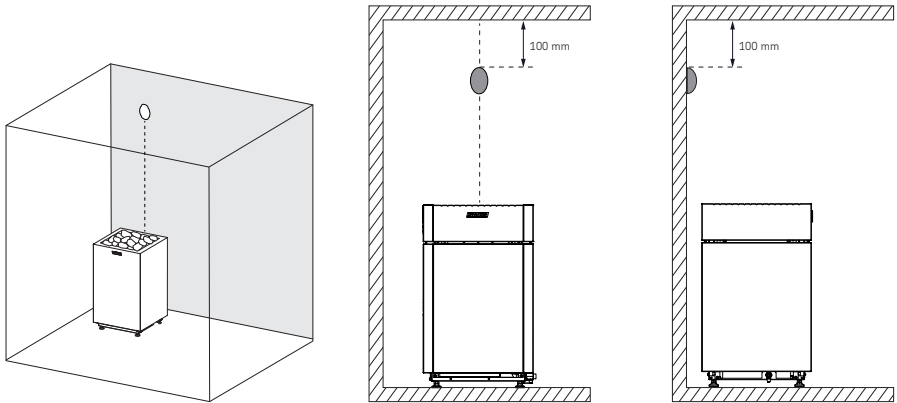
Figure 2. Sauna heater installation

6.3. Installing the control unit and sensors



Do not position the supply air vent so that the air flow cools the heat sensor.

- The control unit comes with detailed instructions on how to mount it on the wall.
- Install the heat sensor as shown in the picture. If the sauna heater is installed further than 150 mm from the wall, the sensor must be installed on the ceiling.



EN

Figure 3a. Installing the heat sensor on the wall

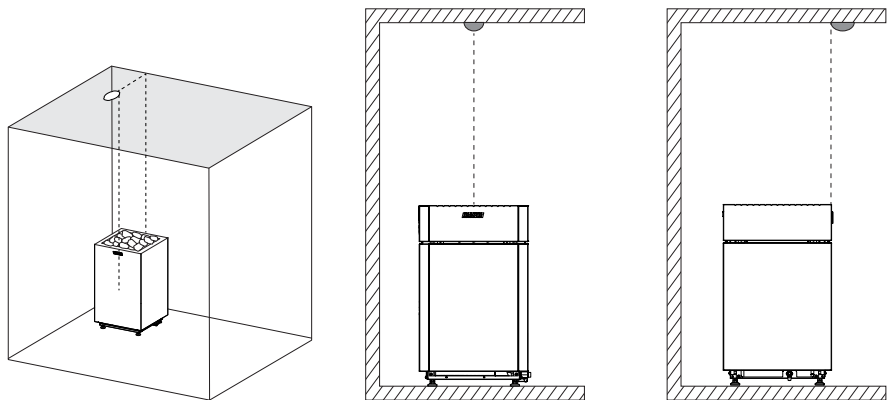


Figure 3b. Installing the heat sensor on the ceiling

6.4. Electrical connections



The sauna heater may only be connected to the mains by a qualified electrician in accordance with the regulations in force.

- The sauna heater is connected semi-fixed to the junction box on the sauna wall. The junction box shall be splash-proof and shall not be more than 500 mm above the floor.
- The connection cable should be of the rubber cable type H07RN-F or equivalent. NOTE: The use of a PVC insulated cable as the sauna heater connection cable is prohibited due to its thermal fragility.
- If the connection or installation cables are placed in the sauna or inside the sauna walls at a height of more than 1,000 mm above the floor, they must be able to withstand a temperature of at least 170°C under load (e.g. silicone sheathed cables). Electrical equipment installed more than 1,000 mm above the sauna floor must be approved for use at an ambient temperature of 125°C (marked T125).

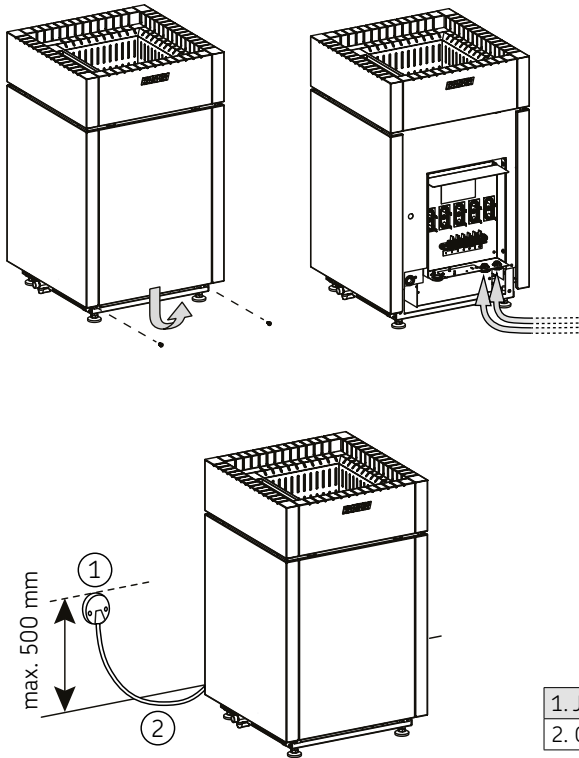


Figure 4. Electrical connections

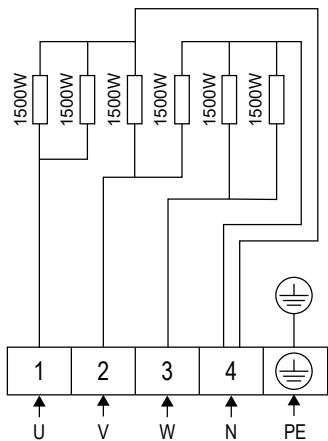


Figure 5. Wiring diagram QU90E

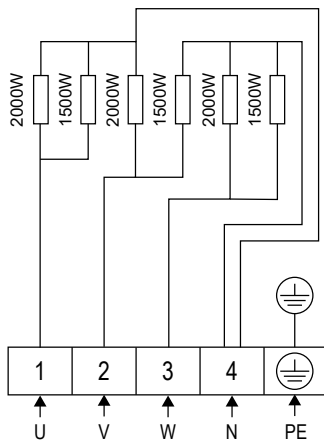


Figure 6. Wiring diagram QU105E

EN

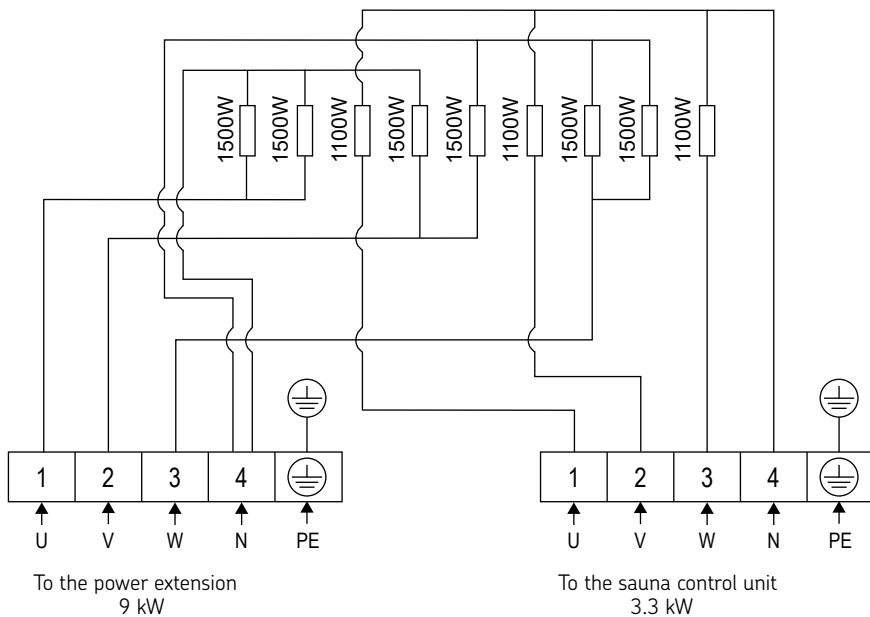


Figure 7. Wiring diagram QU120E

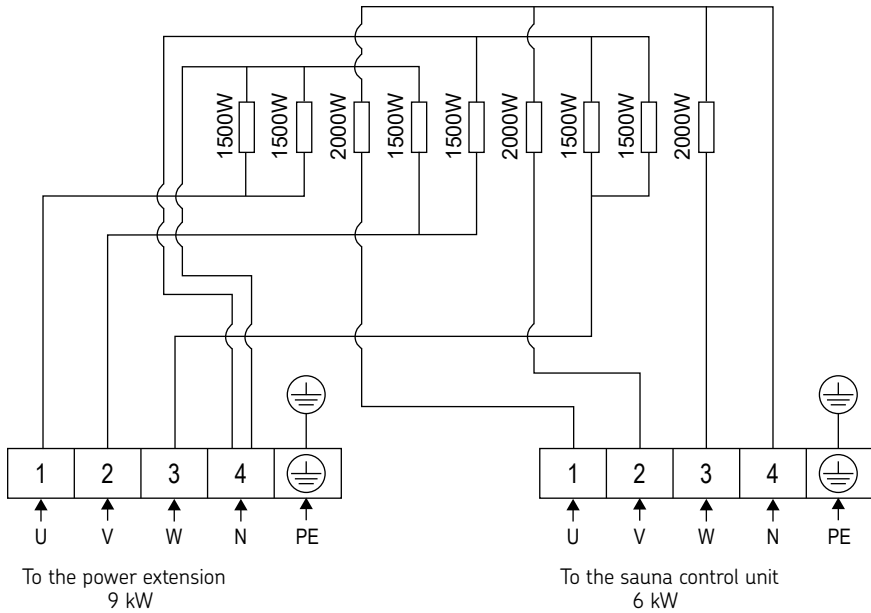


Figure 8. Wiring diagram QU150E

6.5. Insulation resistance of the electric sauna heater



Do not connect the power supply to the electric heater via a residual current circuit breaker!

At the final inspection of the electrical installations, the sauna heater insulation resistance measurement may show "leakage" due to humidity in the air being absorbed (during storage/transport) into the insulating material of the heating elements. Moisture can be removed from the heating elements after a couple of heating cycles.

6.6. Placing of sauna stones



Sauna heater stones are important for the safety of the sauna heater. In order for the warranty to remain valid, the user is responsible for proper maintenance of the stone space in accordance with the specifications and instructions.



Do not place any items or devices in the sauna heater's stone space or vicinity that can change the amount or direction of air flowing through the sauna heater.



If a heating element is not surrounded by stones, it can heat materials dangerously hot, even beyond the sauna heater's safety distances. Make sure that the heating elements are not visible beyond the stones. As the user, you are responsible for ensuring that the stone space is properly maintained throughout the sauna heater's life cycle.

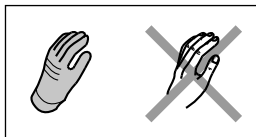
Important information on suitable sauna stones:

- Suitable sauna stone materials are peridotite, olivine diabase, olivine and vulcanite.
- Only use cleavage surface and/or rounded stones for your sauna heater.
- If the heating elements of an electric sauna heater are in contact with the stones, rounded stones may only be used in the outer layers of the stone space, so that they do not come into contact with the heating elements.
- Ceramic stones and decorative stones may only be used if they have been approved by the manufacturer and are used according to their instructions.
- Note that decorative stones are only suitable on the top layer of the stone space. Decorative stones must be placed loosely to ensure sufficient air circulation. Place any decorative stones so that they do not touch the heating elements of an electric sauna heater.
- The warranty does not cover any defects that have been caused by the use of decorative stones or by sauna stones not recommended by the manufacturer.
- Rinse any stone dust off the stones before placing them in the heater.

EN

How placing the stones, observe the following:

- Start with the biggest stones, placing them at the bottom and sides. This ensures sufficient air ventilation and forms a steady base for the stone space.
- Place stones one by one. Do not drop them in the stone space.
- Do not pile a stack of stones on the heater. The stones may reach the level of the heater's air ducts. An excessive amount of stones reduces ventilation and weakens the heater's properties.
- We recommended that you keep some extra stones in store to replace broken ones or to add any if the stone level becomes lower over time.



	QU90E	QU120E,
	QU105E	QU150E
	Ø 5-10cm	Ø 5-10cm
	25kg	40kg

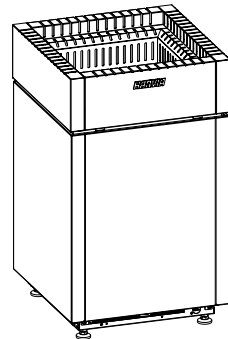
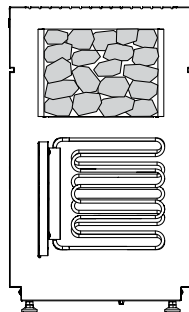
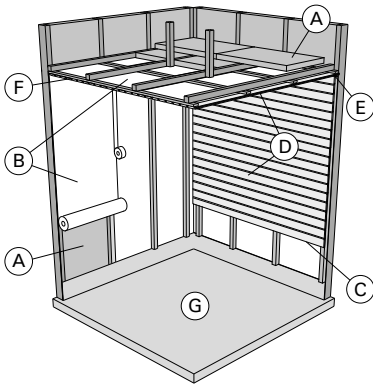


Figure 9. Placing of sauna stones

7. SAUNA ROOM

7.1. Sauna room structure



- A. Insulating wool, thickness 50-100 mm. The sauna room must be carefully insulated to keep the sauna heater output at a reasonably low level.
- B. Humidity barrier, e.g. aluminium paper. Place the shiny side of the paper facing the interior of the sauna. Tape the seams tightly with aluminium tape.
- C. Approximately 10 mm ventilation gap between the humidity barrier and the panel (recommended).
- D. Panel board with a small mass and a thickness of 12-16 mm. Before starting the panelling, check the electrical wiring of the devices and the reinforcements required for the sauna heater and the benches in the walls.
- E. Approximately 3 mm ventilation gap between the wall and ceiling panels.
- F. The height of the sauna is usually 2,100-2,300 mm. The minimum height depends on the sauna heater. The distance between the upper bench and the ceiling should not exceed 1,200 mm.
- G. Use ceramic floor coverings and dark jointing materials. Loosened particles from the stones and contaminants in the sauna water can soil and/or damage delicate floor coverings.

NOTE: Check with the fire authorities which parts of the firewall can be insulated. Flues in use must not be insulated.

NOTE: Lightweight protection installed directly on the wall or ceiling surface can create a fire hazard.

NOTE: Water on the sauna floor must be directed to a floor drain

7.2. Sauna heater power

When the walls and ceiling are panelled and there is sufficient insulation behind the panels, the sauna heater power is determined based on the volume of the sauna. Uninsulated wall surfaces (brick, glass brick, glass, concrete, tile, etc.) increase the need for sauna heater power. Add 1.2 m³ to the sauna volume for every square metre of uninsulated wall surface. For example, a 10 m³ sauna room with a glass door is equivalent to a sauna room of about 12 m³ in terms of its a power requirement. If the sauna room has log walls, multiply the volume of the sauna by 1.5. (5. Technical information)

7.3. Darkening of sauna walls

It is normal for the wooden surfaces in the sauna room to darken over time. Darkening may be accelerated by

- sunlight
- sauna heater heat
- protective materials for wall surfaces (protective materials have poor heat resistance)
- fine particles loosening from the sauna heater stones and rising with air currents.

7.4. Ventilation in the sauna room



The temperature sensor must always be installed in the specified place. If the minimum distance from the supply air vent is not met, the ventilation must be altered!



Do not position the supply air vent so that the air flow cools the heat sensor!

- The air in the sauna room should change six times an hour.
- **Mechanical ventilation:** The supply air vent must be located in the upper part of the sauna so that it does not interfere with the operation of the temperature sensor. (Figure 9. Minimum distance from the supply air vent to the temperature sensor)
- **Pressure ventilation:** The supply air vent should be installed below or next to the sauna heater. The diameter of the supply air vent should be between 50 mm and 100 mm.
- Exhaust air vent: Place the exhaust air vent as far away from the sauna heater as possible and close to the floor. The diameter of the exhaust air vent should be twice the diameter of the supply air vent.
- Possible drain valve (closed during heating and bathing). You can also dry the sauna by leaving the door open after the sauna.
- If the exhaust air vent is on the washroom side, the threshold gap of the sauna door must be at least 100 mm. Mechanical exhaust ventilation is mandatory.

EN

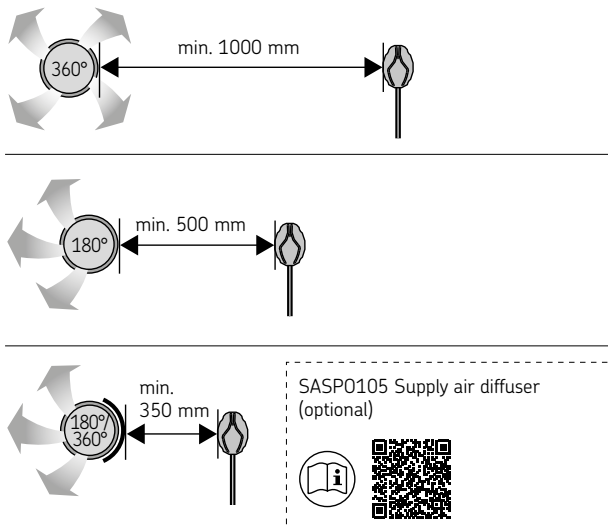


Figure 10. Minimum distance from the supply air vent to the temperature sensor

7.5. Sauna room hygiene

- We recommend using a seat cover when bathing to prevent sweat dripping onto the benches.
- At least every six months, you should give your sauna's benches, walls and floor a thorough wash. Use a root brush and sauna detergent.
- Wipe the sauna heater with a damp cloth to remove dust and dirt. Remove limescale stains from the sauna heater using a 10% citric-acid solution and rinse.

8. INSTRUCTIONS FOR USE

8.1. Use of the sauna heater



Always check that there are no objects on or near the sauna heater before switching it on.

- The sauna heater is operated via a separate control unit. Please refer to the instructions for use supplied with the control unit.
- The sauna heater and the stones produce odours during the first use, the removal of which requires good ventilation in the sauna room.
- If the sauna heater is of the right power for the sauna room, a properly heat-insulated sauna room heats up to operating temperature in about an hour. The sauna heater stones usually heat up in the same amount of time as the sauna room.
- A suitable temperature in the sauna room is around 65-80°C.

8.2. Throwing water



Do not use a ladle with a capacity of more than 0.2 litres. If too much water is thrown or poured onto the sauna heater at once, it can splash over the bathers as it boils hot.



To avoid the risk of burns, do not throw water on the sauna heater when anyone is near it.

- The air in the sauna dries out when the sauna is heated. It is therefore necessary to increase the humidity by throwing water on the sauna heater stones.
- Everyone experiences the effects of heat and humidity in their own way - experiment to find the right temperature and humidity for you.
- Aim to throw water only on the sauna heater stones.

8.3. Water-quality requirements

- The water used in the sauna should meet the quality requirements for domestic water (Table 2).
- Only fragrances intended for sauna water may be used. Follow the instructions provided with the fragrance.

Properties of water	Effects	Recommendation
Organic impurity	Colour, taste, precipitates	<12 mg/l
Iron content	Colour, smell, taste, precipitates	<0,2 mg/l
Manganese content (Mn)	Colour, smell, taste, precipitates	<0,10 mg/l
Water hardness: the main ingredients are calcium (Ca) and magnesium (Mg)	Precipitates	Ca: <100 mg/l Mg: <100 mg/l
Chloridic water	Corrosion	Cl: <100 mg/l
Chlorinated water	Health risk	Use prohibited
Sea water	Rapid corrosion	Use prohibited
Arsenic and radon concentrations	Health risk	Use prohibited

EN

Table 2.

8.4. Bathing instructions

- Start your sauna session by washing yourself.
- Sit in the sauna for as long as you feel comfortable.
- Slow your mind down and relax.
- Good sauna manners include paying attention to other sauna users without disturbing them with loud behaviour.
- Don't drive others off the benches with excessive water throwing.
- Cool down your skin. If you're healthy, you can enjoy swimming while cooling down.
- Wash yourself to conclude your sauna session.
- Rest and let yourself settle down. Enjoy a refreshing drink to restore your fluid balance.

9. REGULAR UPKEEP AND MAINTENANCE



All maintenance operations requiring special skills must be carried out by a trained professional.

9.1. Sauna heater stones

- Due to intense thermal cycling, the sauna heater stones will gradually deteriorate and crumble during use. Replace the stones at least once a year, or more often if the sauna is used very frequently.
- At the same time, remove any accumulated stone debris and replace any broken stones. This will ensure that the sauna heater's steaming properties are maintained and there is no risk of overheating.
- Check occasionally whether the stone level has become lower. Make sure that the heating elements do not become visible over time. The stone level is likely to become lower in about two months after the stones have been placed.

9.2. Troubleshooting

The sauna heater will not heat up

- Check that the sauna heater's fuses in the electrical panel are intact.
- Check that the sauna heater's connection cable is plugged in.
- Check that the overheat protector has not tripped (see control unit installation instructions).

The sauna room heats up slowly. Water thrown onto the sauna heater cools the stones quickly

- Check that the sauna heater's fuses in the electrical panel are intact.
- Check that all the heating elements glow when the sauna heater is on.
- Set the temperature higher (see the installation instructions for the control unit).
- Check that the sauna heater power is not too low.
- Check that the ventilation in the sauna room is correctly arranged.

The sauna room heats up quickly, but the stones do not have time to warm up. Water thrown onto the sauna heater does not evaporate, but flows through the stone space

- Check that the sauna heater power is not too high.
- Check that the ventilation in the sauna room is correctly arranged.

EN

Panels or other material near the sauna heater darken quickly

- Make sure that the safety distance requirements are met.
- Make sure that the heating elements are not visible beyond the stones. If visible, restack the stones and make sure that the heating elements are completely covered.
- See also point (7.3. Darkening of sauna walls).

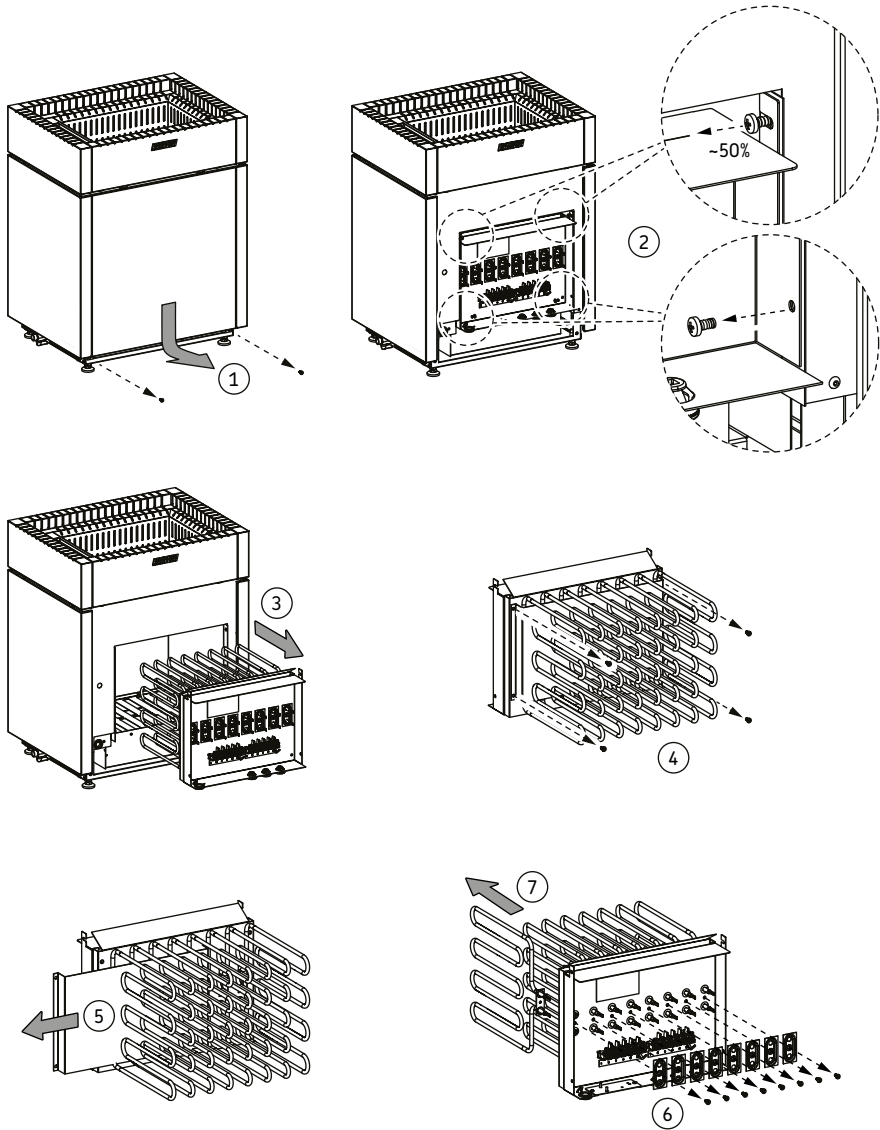
The sauna heater produces an odour

- See point (8.1. Use of the sauna heater)
- A hot sauna heater may intensify odours mixed in the air, but the sauna or the heater do not produce odours themselves. Examples: paints, glues, heating oil and spices.

The sauna heater produces noise

- Occasional bangs are usually caused by stones that crack in the heat.
- Thermal expansion of the sauna heater parts may cause noise when the sauna heater heats up.

9.3. Changing of heating elements



EN

Figure 11. Changing of heating elements

10. SPARE PARTS

spareparts.harvia.com



11. WARRANTY TERMS

www.harvia.com



EN

Harvia Qube

Elektrosaunaofen

Installations- und Betriebsanleitung

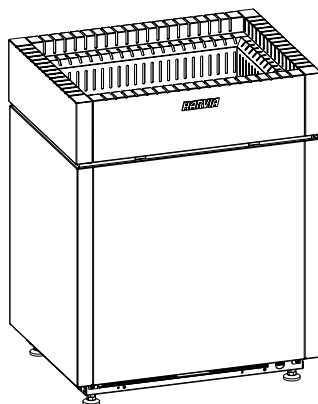
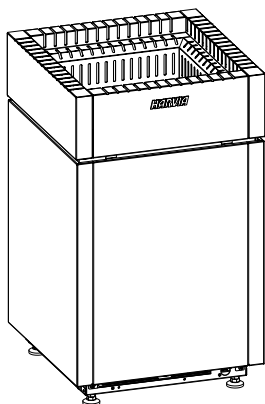
HARVIA

Sauna & Spa

Let's sauna.

Artikel Nr.	Typ	Leistung
HQU904M	QU90E	9 kW
HQU1054M	QU105E	10,5 kW
HQU1204M	QU120E	12 kW
HQU1504M	QU150E	15 kW

DE



Herzlichen Glückwunsch zu Ihrer hervorragenden Saunaofenwahl!

Ein Harvia-Saunaofen funktioniert am besten und wird Ihnen lange Zeit dienen, wenn er wie in dieser Anleitung beschrieben genutzt und gewartet wird. Lesen Sie bitte die Anleitung, bevor Sie den Saunaofen installieren oder benutzen. Bewahren Sie die Anleitung zum späteren Nachschlagen auf. Installations- und Betriebsanleitungen finden Sie auch auf unserer Website unter www.harvia.com.

INHALT

1. WARNUNGEN UND HINWEISE	3
2. VOR DER INSTALLATION	7
3. LIEFERINHALT	8
4. BEISPIEL FÜR EINE INSTALLATION	8
5. TECHNISCHE DATEN.....	9
6. INSTALLATIONSANLEITUNG	11
6.1. Sicherheitsabstände.....	11
6.2. Installation eines Saunaofens	12
6.3. Installation des Steuergeräts und der Sensoren.....	13
6.4. Elektroanschlüsse.....	14
6.5. Isolationswiderstand des Elektrosaunaofens	16
6.6. Befüllung der Steinkammer	17
7. SAUNAKABINE	18
7.1. Aufbau der Saunakabine.....	18
7.2. Leistung des Saunaofens.....	19
7.3. Die Saunawände verfärben sich dunkel	19
7.4. Belüftung der Saunakabine.....	19
7.5. Hygiene in der Saunakabine	20
8. GEBRAUCHSANWEISUNG.....	20
8.1. Benutzung des Saunaofens.....	20
8.2. Aufgießen von Wasser	21
8.3. Anforderungen an die Wasserqualität	21
8.4. Hinweise zum Saunabaden	21
9. REGELMÄSSIGE WARTUNG UND INSTANDHALTUNG	22
9.1. Saunaofensteine.....	22
9.2. Fehlerbehebung.....	22
9.3. Auswechseln der Heizelemente	23
10. ERSATZTEILE	24
11. GARANTIEBEDINGUNGEN	24

DE

1. WARNUNGEN UND HINWEISE



Bitte lesen Sie die Warnhinweise und die Betriebsanleitung sorgfältig durch, bevor Sie den Ofen benutzen.



WARNUNG! Die Nichtbeachtung dieser Warnung kann zu schweren Verletzungen oder zum Tod führen.



VORSICHT! Die Nichtbeachtung dieser Warnung kann zu leichten oder schweren Verletzungen führen.



Nicht abdecken!

Installation

- Der Saunaofen ist so konzipiert, dass er die Saunakabine auf die gewünschte Temperatur aufheizt. Die Verwendung für andere Zwecke ist verboten. Das Steuergerät ist für die Steuerung des Saunaofens und der für das Steuergerät vorgesehenen Saunafunktionen bestimmt. Die Verwendung für andere Zwecke ist verboten.
- Das Gerät darf nur von einer Elektrofachkraft gemäß den geltenden Vorschriften an das Stromnetz angeschlossen werden. Die für die Installation des Geräts verantwortliche Person muss dem Benutzer vor der Abnahme der Installationsarbeit die mitgelieferte Einbau- und Bedienungsanleitung zur Verfügung stellen und die notwendige Einweisung geben.
- Trennen Sie den Saunaofen immer vom Netz, bevor Sie Wartungsarbeiten durchführen!
- Überprüfen Sie den Ofen vor der Installation und Inbetriebnahme auf sichtbare Schäden. Benutzen Sie kein beschädigtes Gerät.
- Die in der Betriebsanleitung des Saunaofens angegebenen Werte müssen stets eingehalten werden. Bei Abweichung besteht Brandgefahr.
- In der Saunakabine darf nur ein einziger Elektrosaunaofen installiert werden, sofern in der Betriebsanleitung nichts anderes angegeben ist.
- Der Saunaofen muss so installiert werden, dass die Warnhinweise nach der Installation gut lesbar sind.
- Der Saunaofen bzw. das Gerät darf nicht in eine Wandnische eingebaut werden, sofern in der Betriebsanleitung nicht anders angegeben.
- Ist um den Saunaofen ein Geländer angebracht, müssen die in der Betriebsanleitung des Saunaofens angegebenen Sicherheitsabstände eingehalten werden.

- Wenn Sie Zubehörteile für den Saunaofen anbringen möchten, beachten Sie bei der Montage oder dem Gebrauch immer die Anweisungen für das jeweilige Zubehörteil.
- Sorgen Sie für eine ausreichende Belüftung der Saunakabine (die Luft sollte sechsmal pro Stunde ausgetauscht werden).
- Platzieren Sie die Zuluftöffnung nicht so, dass der Luftstrom den Temperatursensor kühlt (siehe Montageanleitung Temperatursensor).
- Wenn das Netzkabel beschädigt ist, muss es entweder vom Hersteller oder vom Wartungsbeauftragten des Herstellers oder einer anderen qualifizierten Person ausgetauscht werden, um Gefahren zu vermeiden.
- Die Verwendung eines PVC-isolierten Kabels als Anschlusskabel für den Saunaofen ist wegen seiner thermischen Empfindlichkeit verboten.
- Überprüfen Sie immer den Zustand der Klemmdosenanschlüsse, wenn Sie den Saunaofen installieren. Wir empfehlen Schraubverbinder. Vermeiden Sie gefederte Schraubverbinder.
- Schließen Sie die Stromzufuhr zum Elektrosaunaofen nicht über einen Fehlerstromschutzschalter an.
- Wenn der Saunaofen in einer öffentlichen Sauna ohne Zeitschaltuhr verwendet wird, sollte die Betriebskontrollleuchte in dem Raum angebracht werden, in dem der Saunaofen steht.
- Tragen Sie bei der Installation und Wartung sowie beim Nachlegen von Saunaofensteinen stets Schutzhandschuhe.
- Decken Sie die Heizelemente vollständig mit Steinen ab; ein glühendes blankes Heizelement kann eine Brandgefahr darstellen!
- Innerhalb der Steinkammer oder in der Nähe des Saunaofens dürfen keine Gegenstände oder Geräte platziert werden, die die Menge oder Richtung der durch den Ofen strömenden Luft verändern könnten.

Benutzung und Saunabaden

- Dieser Saunaofen kann von Kindern ab 8 Jahren und von Personen mit eingeschränkten körperlichen, sensorischen oder geistigen Fähigkeiten oder mangelnder Erfahrung und Kenntnis benutzt werden, sofern sie beaufsichtigt oder in die sichere Benutzung des Saunaofens eingewiesen werden und die damit verbundenen Gefahren verstehen.
- Kinder dürfen nicht mit dem Saunaofen spielen. Kinder dürfen den Saunaofen nicht unbeaufsichtigt reinigen oder Wartungsarbeiten daran durchführen.

- Lassen Sie besondere Vorsicht walten, wenn der Saunaofen heiß ist. Die Steine und die Metallteile des Saunaofens sind heiß genug, um die Haut zu verbrennen.
- Vergewissern Sie sich immer, dass sich keine Gegenstände auf dem Saunaofen oder in seiner Nähe befinden, bevor Sie ihn einschalten.
- Achten Sie bei den ersten Heizvorgängen des Saunaofens auf eine ausreichende Belüftung, da der Saunaofen Gerüche entwickeln kann.
- Schütten oder gießen Sie nicht zu viel Wasser auf einmal auf den Saunaofen, da dies zu kochend heißen Spritzern führen kann.
- Gießen Sie kein Wasser auf den Saunaofen, wenn sich jemand in der Nähe befindet.
- Verwenden Sie keine Aufgusskelle mit einem Fassungsvermögen von mehr als 0,2 Litern.
- Verwenden Sie kein anderes als das in der Betriebsanleitung des Saunaofens angegebene Wasser.
- Wenn Sie Saunaduftstoffe im Wasser verwenden, verwenden Sie nur Duftstoffe, die für Saunawasser bestimmt sind, und beachten Sie die Gebrauchsanweisung.
- Längerer Aufenthalt in einer heißen Sauna erhöht die Körpertemperatur, was gefährlich sein kann.
- Halten Sie Kinder vom Saunaofen fern.
- Lassen Sie Kinder, Personen mit eingeschränkter Mobilität, kranke oder anderweitig gebrechliche Personen nicht allein in der Sauna.
- Wenden Sie sich an Ihren Arzt, wenn Sie gesundheitliche Einschränkungen in Bezug auf den Saunabesuch haben.
- Seien Sie vorsichtig, wenn Sie sich in der Sauna bewegen, da die Saunabänke oder der Boden rutschig sein können.
- Gehen Sie nicht unter dem Einfluss von Alkohol, Medikamenten, Rauschmitteln oder anderen berauschenden Substanzen in die Sauna.
- Schlafen Sie nicht in einer beheizten Sauna.
- Ein maritimes Klima und andere feuchte Klimazonen können die Metalloberflächen des Saunaofens korrodieren lassen.
- Wegen der Brandgefahr darf die Sauna nicht als Trockenraum für Wäsche benutzt werden. Elektrische Geräte können durch hohe Luftfeuchtigkeit beschädigt werden.
- Setzen Sie den Überhitzungsschutz nicht durch Drücken des Reset-Knopfes zurück, bevor die Ursache für die Auslösung festgestellt wurde. Der Überhitzungsschutz darf nur von einem qualifizierten Servicetechniker zurückgesetzt werden, sofern in der Betriebsanleitung nicht anders angegeben.

- Vergewissern Sie sich immer, dass sich der Saunaofen nach Ablauf der Einschaltzeit ausgeschaltet hat und nicht mehr heizt.
- Heiße Steinsplitter, die aus dem Saunaofen fallen, können den Bodenbelag beschädigen und stellen eine Brandgefahr dar.
- In öffentlichen Saunen, in denen der Saunaofen ohne Zeitschaltuhr, kontinuierlich oder länger benutzt wird, als es die Zeitschaltuhr des Saunaofens oder das werkseitig eingestellte Steuergerät zulässt, muss der Ofen ständig beaufsichtigt werden.
- Die Saunakabine und der Bereich um den Saunaofen sollten immer überprüft werden, bevor der Saunaofen wieder eingeschaltet oder aus der Ferne eingeschaltet wird.
- Die Saunakabine und die Umgebung des Saunaofens sollten immer überprüft werden, bevor der Saunaofen in den Standby-Modus für die Fernsteuerung oder den zeitgesteuerten Betrieb versetzt wird.
- Nach der Produktnorm IEC/EN 60335-2-53 für elektrisch beheizte Saunaöfen dürfen Steuergeräte mit Fernstartfunktion zur Steuerung und Regelung des Saunaofens verwendet werden, wenn am Saunaofen oder an der Saunatur eine entsprechende Sicherheitsabschaltung (Tür oder Sicherheitsschalter) angebracht ist.

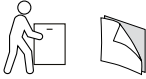
DE

Wartung

- Alle Wartungsarbeiten, die besondere Fähigkeiten erfordern, müssen von einer ausgebildeten Fachkraft durchgeführt werden.
- Wischen Sie den Saunaofen von Zeit zu Zeit mit einem feuchten Tuch ab, um Staub und Schmutz zu entfernen. Verwenden Sie gegebenenfalls ein mildes Reinigungsmittel. Verwenden Sie zur Reinigung kein fließendes Wasser.
- Stellen Sie vor der Reinigung sicher, dass das Gerät vollständig abgekühlt ist.
- Schichten Sie die Steine mindestens einmal im Jahr neu oder ersetzen Sie zerbrochene Steine.

2. VOR DER INSTALLATION

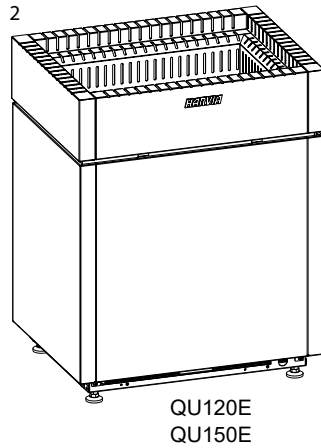
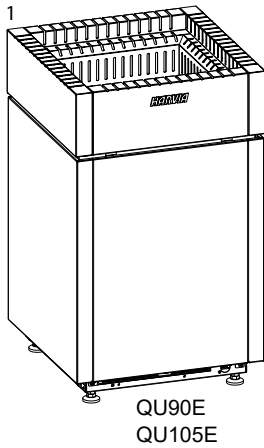
- **Der Saunaofen darf nur in aufrechter Position transportiert werden.**
- **Der Saunaofen kann am Außengehäuse angehoben und transportiert werden.**
- **Entfernen Sie vor dem Gebrauch die Schutzfolie vom Saunaofen.**



Checkliste für die Installation des Saunaofens

- Prüfen Sie, dass der Saunaofen intakt ist. Benutzen Sie keinen defekten Saunaofen. Melden Sie eventuelle Transportschäden dem Lieferanten.
- Der Saunaofen ist hinsichtlich Stromleistung und -typ für die jeweilige Saunakabine geeignet. Die Saunavolumenwerte dürfen nicht über- oder unterschritten werden (5. Technische Informationen) (7.2. Leistung des Saunaofens)
- Die Versorgungsspannung ist für den Saunaofen geeignet.
- Der Einbauort des Saunaofens erfüllt die Mindestsicherheitsabstände (6.1. Sicherheitsabstände)
- Die Position des Temperatursensors/Überhitzungsschutzes ist abhängig vom Saunaofen. Vergewissern Sie sich, dass der Sensor gemäß den Anweisungen installiert wurde.
- Überprüfen Sie, ob die Saunasteine im Saunaofen gemäß den Anweisungen eingelegt sind.
- Wenn Zubehörteile installiert werden sollen, befolgen Sie die produktspezifischen Anweisungen zur Installation und Verwendung.
- Stellen Sie sicher, dass das Steuergerät mit dem Saunaofen kompatibel ist. Sie können die Kompatibilität der neuesten Steuergerätemodelle auf Harvia.com überprüfen.
- Bitte bewahren Sie diese Betriebsanleitung zum späteren Nachschlagen auf.

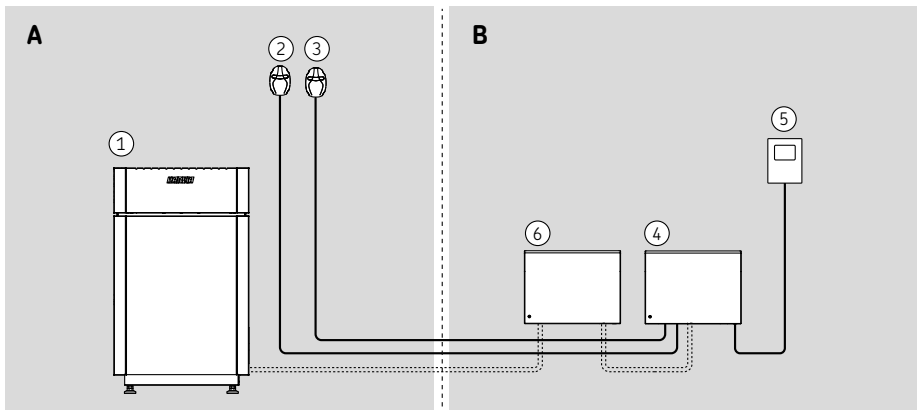
3. LIEFERINHALT



DE

- | |
|---|
| 1. Saunaofen |
| 2. Installations- und Betriebsanleitung |

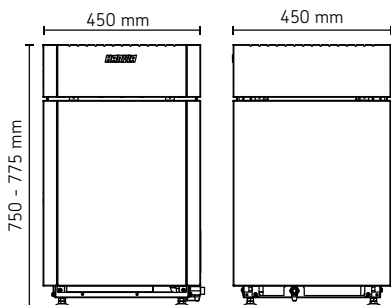
4. BEISPIEL FÜR EINE INSTALLATION



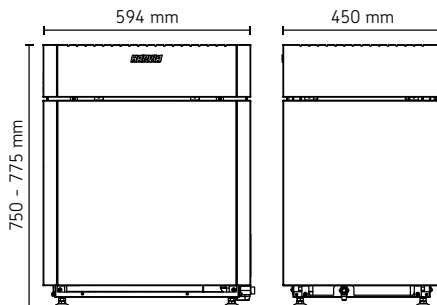
A. Saunakabine	B. Trockenbereich
1. Saunaofen	4. Leistungsteil Saunasteuerung
2. Ofenfühler	5. Bedienteil
3. Bankfühler	6. Leistungserweiterung (optional. Muss verwendet werden, wenn 2 Gruppen oder mehr als 11kW)

5. TECHNISCHE DATEN

QU90E, QU105E



QU120E, QU150E



INSTALLATIONS DATEN				
	QU90E	QU105E	QU120E	QU150E
Leistung (kW) Saunaofen	9	10.5	12	15
Betriebsspannung	400 V 3N- 230 V 1N-	400 V 3N- 230 V 1N-	400 V 3N-	400 V 3N-
Heizkreisgruppen	1 Gruppe	1 Gruppe	2 Gruppen	2 Gruppen
Frequenz (Hz)	50 / 60	50 / 60	50 / 60	50 / 60
Versorgungskabel	5 x 2.5 mm ²	5 x 2.5 mm ²	5 x 2.5 mm ²	5 x 2.5 mm ²
Anschlusskabel	H07RN-F o. gleichwertig	H07RN-F o. gleichwertig	H07RN-F o. gleichwertig	H07RN-F o. gleichwertig
Schutzklasse	IPX4	IPX4	IPX4	IPX4
Lagertemperatur	0-50°C	0-50°C	0-50°C	0-50°C
STEINE				
	QU90E	QU105E	QU120E	QU150E
Größe der Steine (cm)	Ø 5-10	Ø 5-10	Ø 5-10	Ø 5-10
Steinmenge (kg)	25	25	40	40
MASSE				
	QU90E	QU105E	QU120E	QU150E
Höhe (mm)	750 - 775	750 - 775	750 - 775	750 - 775
Breite (mm)	450	450	594	594
Tiefe (mm)	450	450	450	450
Gewicht (kg)	34	34	40	40

DE

SAUNAKABINE				
	QU90E	QU105E	QU120E	QU150E
Raumvolumen (m³)	9-14	10-15	14-18	18-25
Mindesthöhe der Sauna (mm)	1900	1900	1900	1900
ZUGELASSENES ZUBEHÖR				
	QU90E	QU105E	QU120E	QU150E
Ofenreling	QUBE-L5 QUBE-W5	QUBE-L5 QUBE-W5	QUBE-L6 QUBE-W6	QUBE-L6 QUBE-W6
SFE-Sicherheitsabschaltung	SFE-500500	SFE-500500	SFE-500500	SFE-500500
KOMPATIBLE STEUERGERÄTE				
	QU90E	QU105E	QU120E	QU150E
Sehen Sie sich die neuesten Steuergerät-Modelle auf unserer Website harvia.com an.	FX110 CX110 C105VKK Pro B2 Pro C2 Pro D2 Pro D2i	FX110 CX110 C105VKK Pro B2 Pro C2 Pro D2 Pro D2i	FX170 CX170 C105VKK *) Pro B2 *) Pro C2 *) Pro D2 *) Pro D2i *)	FX170 CX170 C105VKK *) Pro B2 *) Pro C2 *) Pro D2 *) Pro D2i *)
LEISTUNGSERWEITERUNG *)				
	QU90E	QU105E	QU120E	QU150E
Sehen Sie sich die neuesten Modelle auf unserer Website harvia.com an	LTY17 0-S2-18 0-S2-18S	LTY17 0-S2-18 0-S2-18S	LTY17 0-S2-18 0-S2-18S	LTY17 0-S2-18 0-S2-18S
*) optional. Muss verwendet werden, wenn 2 Gruppen oder mehr als 11 kW vorhanden sind				

DE

Tabelle 1. Technische Informationen

6. INSTALLATIONSANLEITUNG



Die in der Betriebsanleitung des Saunaofens angegebenen Werte müssen stets eingehalten werden. Bei Abweichung besteht Brandgefahr.



In der Saunakabine darf nur ein einziger Elektrosaunaofen installiert werden, sofern in der Betriebsanleitung nichts anderes angegeben ist.



Der Saunaofen muss so installiert werden, dass die Warnhinweise nach der Installation gut lesbar sind.

6.1. Sicherheitsabstände

- Die Mindestschutzabstände zu brennbarem Material sind in Abbildung (Abbildung 1. Sicherheitsabstände) dargestellt.
- Ist um den Saunaofen ein Schutzgeländer angebracht, müssen die in Abbildung (Abbildung 1. Sicherheitsabstände) oder der Betriebsanleitung des Saunaofens angegebenen Sicherheitsabstände eingehalten werden.

(min. mm)

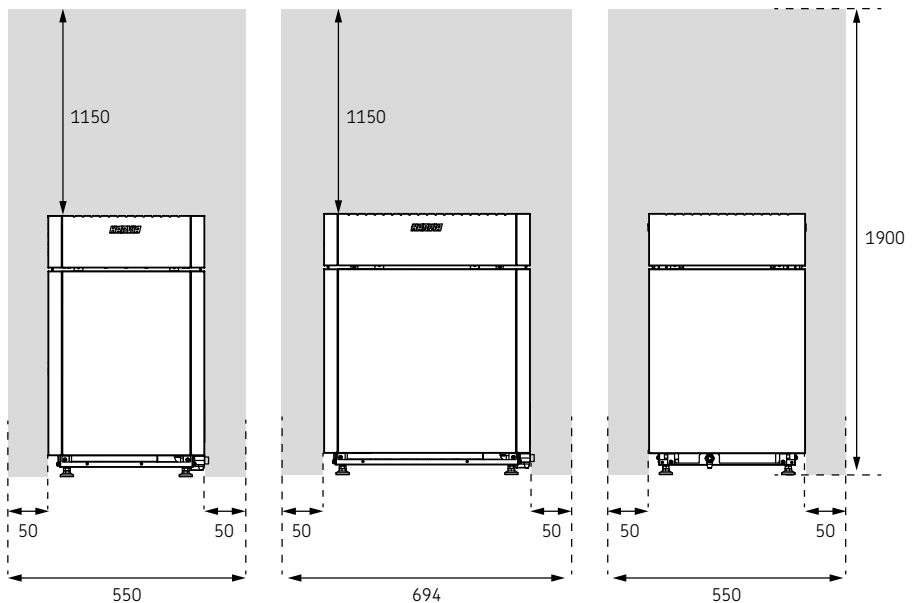


Abbildung 1. Sicherheitsabstände

6.2. Installation eines Saunaofens

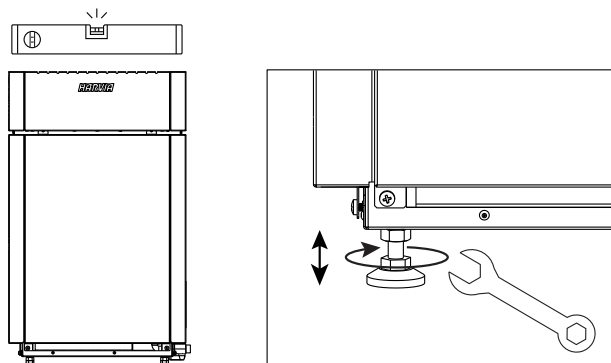


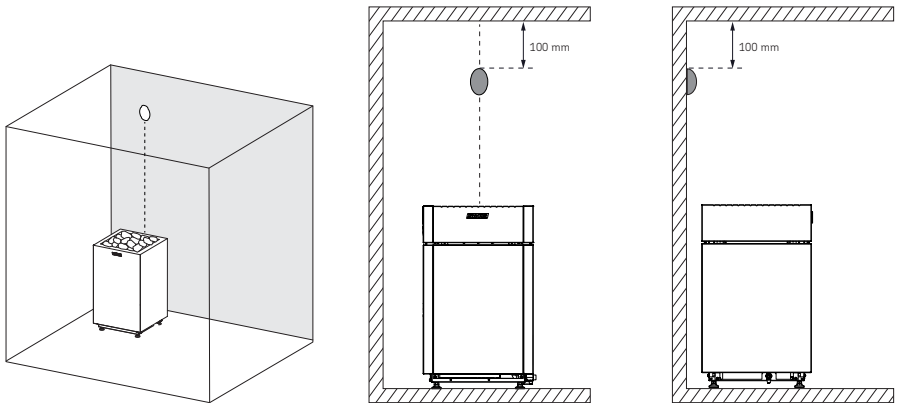
Abbildung 2. Höhenregulierung des Saunaofens

6.3. Installation des Steuergeräts und der Sensoren



Platzieren Sie die Zuluftöffnung nicht so, dass der Luftstrom den Temperatursensor kühlt.

- Dem Steuergerät liegt eine ausführliche Anleitung für die Wandmontage bei.
- Installieren Sie den Temperatursensor wie in der Abbildung gezeigt. Wenn der Saunaofen weiter als 150 mm von der Wand entfernt montiert wird, muss der Sensor an der Decke angebracht werden.



DE

Abbildung 3a. Montage des Temperatursensors an der Wand

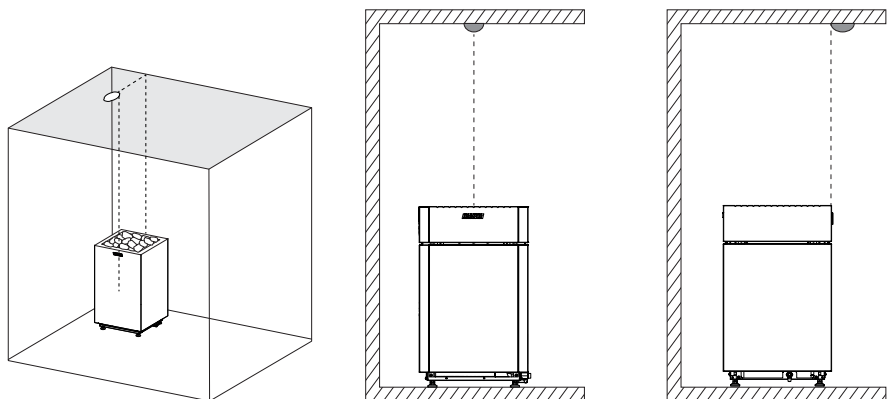


Abbildung 3b. Montage des Temperatursensors an der Decke

6.4. Elektroanschlüsse



Der Saunaofen darf nur von einer Elektrofachkraft gemäß den geltenden Vorschriften an das Stromnetz angeschlossen werden.

- Der Saunaofen wird halbfest mit der Klemmdose an der Saunawand verbunden. Die Klemmdose muss spritzwassergeschützt sein und darf sich nicht mehr als 500 mm über dem Boden befinden.
- Das Anschlusskabel sollte ein Gummikabel vom Typ H07RN-F oder gleichwertig sein. HINWEIS: Die Verwendung eines PVC-isolierten Kabels als Anschlusskabel für den Saunaofen ist wegen seiner thermischen Empfindlichkeit verboten.
- Werden die Anschluss- oder Installationsleitungen in der Sauna oder innerhalb der Saunawände in einer Höhe von mehr als 1.000 mm über dem Fußboden verlegt, müssen sie unter Belastung einer Temperatur von mindestens 170°C standhalten (z. B. Silikonummantelung). Elektrische Vorrichtungen, die höher als 1.000 mm über dem Saunaboden installiert werden, müssen für den Betrieb bei einer Umgebungstemperatur von 125°C zugelassen sein (Kennzeichnung T125).

DE

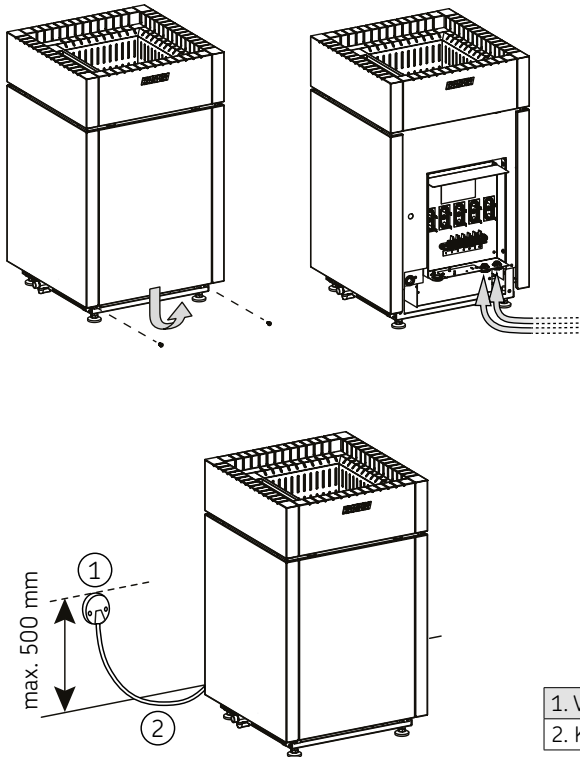


Abbildung 4. Elektroanschlüsse

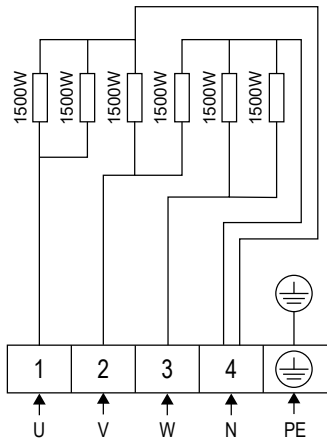


Abbildung 5. Verdrahtungsschema QU90E

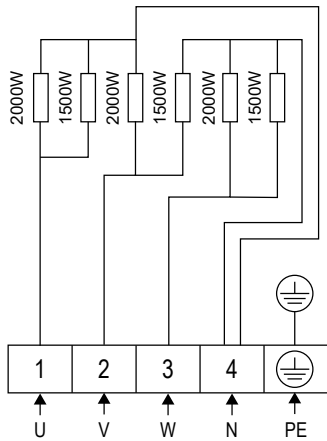
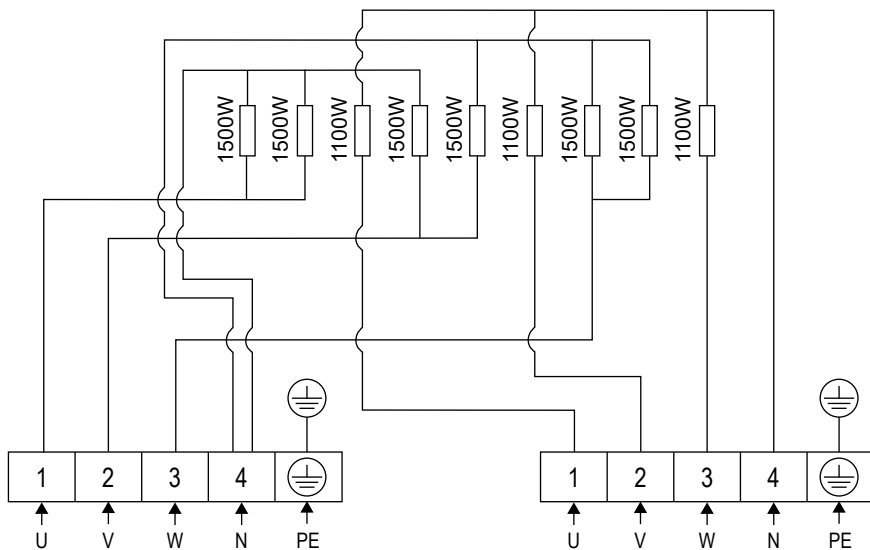


Abbildung 6. Verdrahtungsschema QU105E

DE



zur Leistungserweiterung
9 kW

zur Saunasteuerung
3.3 kW

Abbildung 7. Verdrahtungsschema QU120E

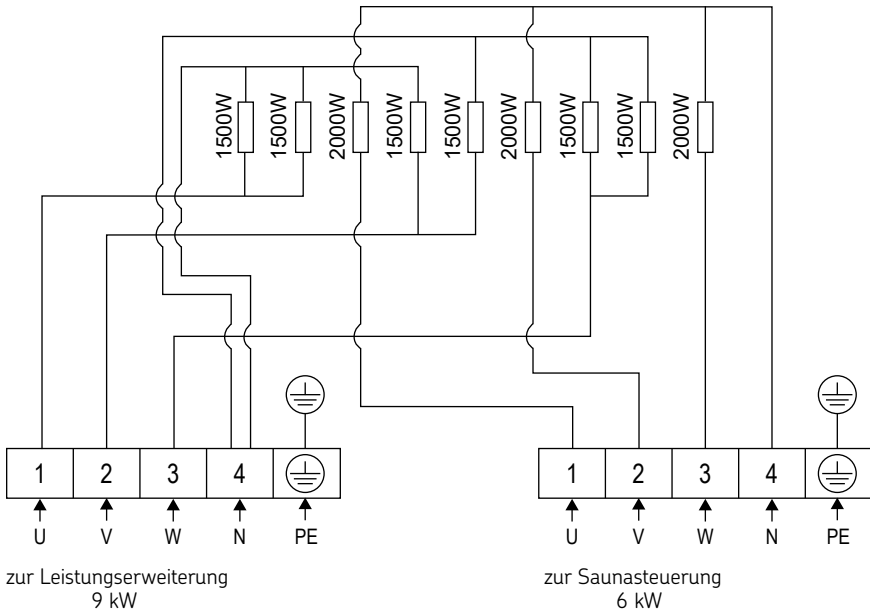


Abbildung 8. Verdrahtungsschema QU150E

6.5. Isolationswiderstand des Elektrosaunaofens



Schließen Sie die Stromzufuhr zum Elektrosaunaofen nicht über einen Fehlerstromschutzschalter an!

Bei der Endkontrolle der elektrischen Anschlüsse kann die Messung des Isolationswiderstandes des Saunaofens "Leckagen" zeigen, die darauf zurückzuführen sind, dass Luftfeuchtigkeit (z.B. während Lagerung/Transport) in das Isoliermaterial der Heizelemente eingedrungen ist. Nach ein paar Heizzyklen kann die Feuchtigkeit aus den Heizelementen entweichen.

6.6. Befüllung der Steinkammer



Saunaofensteine sind wichtig für die Sicherheit des Ofens. Damit die Garantie gültig bleibt, ist der Benutzer für die ordnungsgemäße Wartung der Steinkammer gemäß den Spezifikationen und Anweisungen verantwortlich.



Legen Sie niemals Gegenstände in oder neben das Steinfach, denn sie können das Volumen oder die Richtung des Luftstroms durch den Saunaofen verändern.

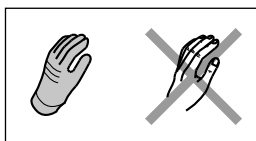



Wenn ein Heizelement nicht von Steinen umgeben ist, können Materialien gefährlich heiß werden, auch außerhalb der Sicherheitsabstände des Saunaofens. Achten Sie daher darauf, dass sämtliche Heizelemente unter den Steinen verborgen sind und nichts mehr von ihnen zu sehen ist. Als Benutzer sind Sie dafür verantwortlich, dass das Steinfach während des gesamten Lebenszyklus des Saunaofens ordnungsgemäß gewartet wird.

Wichtige Informationen zu geeigneten Saunaofensteinen:

- Geeignete Materialien für Saunaofensteine sind Peridotit, Olivindiabas, Olivin und Vulkanit.
- Verwenden Sie für Ihren Saunaofen nur spaltbare und/oder abgerundete Steine.
- Wenn die Heizelemente eines Elektrosaunaofens mit den Steinen in Kontakt kommen, dürfen abgerundete Steine nur in den äußeren Schichten der Steinkammer verwendet werden, damit sie nicht mit den Heizelementen in Kontakt kommen.
- Keramiksteine und Dekosteine dürfen nur verwendet werden, wenn sie vom Hersteller zugelassen sind und gemäß dessen Gebrauchsanweisung verwendet werden.
- Beachten Sie, dass Dekosteine nur für die oberste Schicht der Steinkammer geeignet sind. Dekosteine müssen locker verlegt werden, um eine ausreichende Luftzirkulation zu gewährleisten. Platzieren Sie Dekosteine so, dass sie die Heizelemente des Elektrosaunaofens nicht berühren.
- Die Garantie erstreckt sich nicht auf Mängel, die durch die Verwendung von Dekosteinen oder vom Hersteller nicht empfohlenen Saunasteinen verursacht wurden.
- Spülen Sie Staub und Verunreinigungen von den Steinen, bevor Sie diese in den Ofen legen.

DE



	QU90E	QU120E,
	QU105E	QU150E
	Ø 5-10 cm	Ø 5-10 cm
	25 kg	40 kg

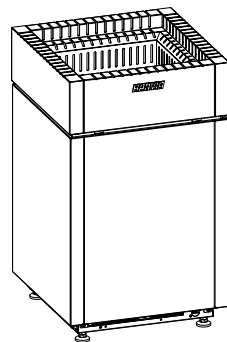
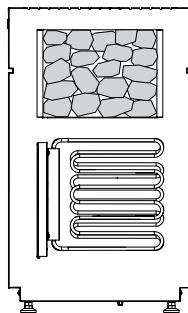


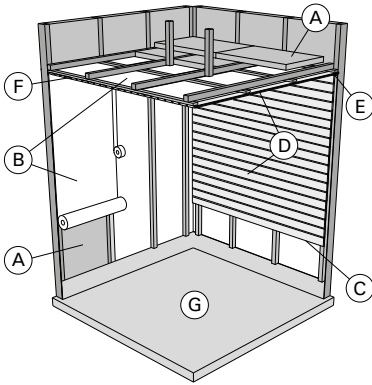
Abbildung 9. Befüllung der Steinkammer

Beim Füllen der Steinkammer ist Folgendes zu beachten:

- Beginnen Sie mit den größten Steinen und platzieren Sie sie am Boden des Steinfachs und zu den Seiten hin. Hierdurch wird für eine stabile Basis und gute Luftzirkulation gesorgt.
- Platzieren Sie einen Stein nach dem anderen. Lassen Sie die Steine nicht in die Steinkammer fallen.
- Stapeln Sie keine überzähligen Steine auf dem Ofen. Die Obergrenze der Steinfüllung darf nicht über den Lüftungskanälen liegen. Bei Überfüllung des Saunaofens werden Luftzirkulation und Heizeigenschaften beeinträchtigt.
- Wir empfehlen, einige Saunasteine als Vorrat aufzubewahren, um gebrochene Steine zu ersetzen oder das im Laufe der Zeit zu erwartende Absinken der Füllung auszugleichen.

7. SAUNAKABINE

7.1. Aufbau der Saunakabine



- A. Isolierwolle, Stärke 50–100 mm. Die Saunakabine muss sorgfältig isoliert werden, damit die Kapazität des Ofens auf einem relativ geringen Niveau gehalten werden kann.
- B. Feuchtigkeitssperre, z.B. Aluminiumpapier. Die glänzende Seite des Papiers muss zur Sauna zeigen. Nähte mit Aluminiumband abdichten.
- C. Etwa 10 mm breiter Lüftungsschlitz zwischen Feuchtigkeitssperre und dem Paneel (Empfehlung).
- D. Leichtes, 12–16 mm starkes Paneelbrett. Vor Beginn der Verkleidung mit Paneelen sind die elektrische Verkabelung und die für den Ofen und die Bänke erforderlichen Verstärkungen in den Wänden zu überprüfen.
- E. Etwa 3 mm breiter Lüftungsschlitz zwischen dem Wand- und Deckenpaneel.
- F. Die Höhe der Sauna beträgt normalerweise 2100–2300 mm. Die Mindesthöhe hängt vom Ofen ab (siehe >Technische daten). Der Abstand zwischen der oberen Bank und der Decke sollte maximal 1200 mm betragen.
- G. Verwenden Sie bitte Bodenbeläge aus Keramik und dunkle Verfugungsmittel. Aus den Saunasteinen entweichende Partikel und Verunreinigungen im Wasser können sensible Böden verunreinigen und/oder beschädigen.

ACHTUNG! Klären Sie mit der Brandschutzbehörde ab, welche Teile der Brandschutzmauer isoliert werden müssen. Der verwendete Rauchabzug darf nicht isoliert werden.

ACHTUNG! Der direkt an der Wand oder an der Decke angebrachte leichte Schutzabdeckungen stellen ein Brandrisiko dar.

ACHTUNG! Auf den Boden der Sauna spritzendes Wasser muss in den Bodenabfluss geleitet werden.

7.2. Leistung des Saunaofens

Wenn Wand und Decke mit Paneelen verkleidet und dahinter ausreichend isoliert sind, richtet sich die Leistungsabgabe des Ofens nach dem Volumen der Sauna. Nicht isolierte Wandflächen (Stein, Glasbausteine, Glas, Beton, Fliesen etc.) erhöhen die benötigte Ofenleistung. Jeder Quadratmeter nicht isolierter Wand entspricht $1,2 \text{ m}^3$ zusätzlichem Saunavolumen. Beispiel: Eine 10 m^3 große Saunakabine mit Glas-tür z.B. benötigt eine Ofenkapazität für eine Saunakabine von ca. 12 m^3 . Bei Holzwänden ist das Saunavolumen mit 1,5 zu multiplizieren. (5. Technische Informationen)

7.3. Die Saunawände verfärben sich dunkel

Es ist ganz normal, wenn sich die Holzoberflächen einer Sauna mit der Zeit verfärben. Die Dunkelfärbung wird beschleunigt durch:

- Sonnenlicht
- Hitze des Saunaofens
- Schutzmittel für Wandflächen (mit geringem Hitzewiderstand)
- Feinpartikel, die aus den zerbröselnden Saunasteinen in die Luft entweichen.

7.4. Belüftung der Saunakabine



Der Temperatursensor muss immer an der angegebenen Stelle angebracht werden! Wenn der Mindestabstand zur Zuluftöffnung nicht eingehalten wird, muss die Belüftung modifiziert werden!



Luftzufuhr nicht so anbringen, dass sie den Temperaturfühler abkühlt

- Die Saunaluft sollte sechsmal pro Stunde ausgetauscht werden.
- **Mechanische Ventilation:** Die Zuluftöffnung muss sich im oberen Teil der Sauna befinden, damit die Funktion des Temperatursensors nicht beeinträchtigt wird. (Abbildung 9. Mindestabstand des Fühlers zur Luftzufuhr.)
- **Druckbelüftung:** Die Zuluftöffnung sollte unter oder neben dem Saunaofen angebracht werden. Der Durchmesser der Zuluftöffnung sollte zwischen 50 mm und 100 mm betragen.
- Entlüftung. Entlüftung in Bodennähe anbringen, so weit weg vom Ofen wie möglich. Der Durchmesser des Entlüftungsrohres sollte doppelt so groß sein wie bei der Luftzufuhr.
- Optionale Lüftung zum Trocknen (während Heizung und Bad geschlossen). Die Sauna kann auch durch die offene Tür getrocknet werden.
- Wenn die Entlüftung im Waschraum liegt, muss die Lücke unter der Saunatur mindestens 100 mm betragen. Mechanische Entlüftung ist Pflicht.

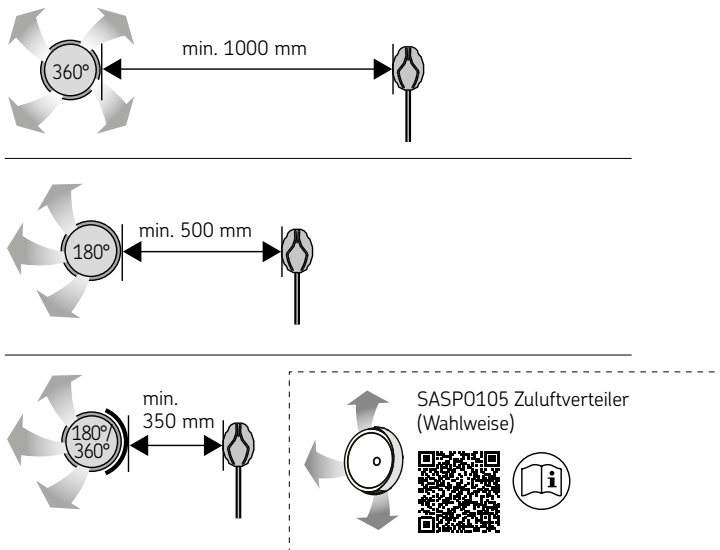


Abbildung 10. Mindestabstand des Fühlers zur Luftzufuhr.

7.5. Hygiene in der Saunakabine

- Wir empfehlen, Liegetücher zu benutzen, um die Bänke vor Schweiß zu schützen.
- Bänke, Wände und Boden der Sauna mindestens alle sechs Monate gründlich reinigen. Verwenden Sie hierzu Bürste und Saunareinigungsmittel.
- Staub und Schmutz vom Ofen mit einem feuchten Tuch abwischen. Kalkablagerungen am Ofen mit 10 % Zitronensäure entfernen und spülen.

8. GEBRAUCHSANWEISUNG

8.1. Benutzung des Saunaofens



Vergewissern Sie sich immer, dass sich keine Gegenstände auf dem Saunaofen oder in seiner Nähe befinden, bevor Sie ihn einschalten.

- Die Bedienung des Saunaofens erfolgt über ein separates Steuergerät. Bitte beachten Sie die dem Steuergerät beiliegende Betriebsanleitung.
- Der Saunaofen und die Steine erzeugen bei der ersten Benutzung Gerüche, für deren Beseitigung die Saunakabine gut belüftet sein muss.
- Wenn der Saunaofen die richtige Leistung für die Saunakabine hat, heizt sich eine gut wärmeisolierte Saunakabine etwa innerhalb einer Stunde auf Betriebstemperatur auf. Die Steine des Saunaofens heizen in der Regel in der gleichen Zeit auf wie die Saunakabine.
- Eine angenehme Temperatur in der Saunakabine liegt bei 65-80 °C2

8.2. Aufgießen von Wasser



Verwenden Sie keine Aufgusskelle mit mehr als 0,2 Liter Fassungsvermögen. Wenn zu viel Wasser auf einmal auf den Saunaofen gegossen wird, kann es verkochen und auf die Saunierenden spritzen.



Gießen Sie kein Wasser auf den Saunaofen, wenn sich jemand in der Nähe befindet.

- Die Luft in der Sauna wird trocken, wenn die Sauna aufgeheizt wird. Daher muss die Luftfeuchtigkeit durch Aufgießen von Wasser auf die Steine des Saunaofens erhöht werden.
- Jeder Mensch empfindet Hitze und Feuchtigkeit anders – experimentieren Sie, um die für Sie richtige Temperatur und Luftfeuchtigkeit zu finden.
- Achten Sie darauf, das Wasser nur auf die Steine des Saunaofens zu gießen.

8.3. Anforderungen an die Wasserqualität

- Das in der Sauna verwendete Wasser sollte den Qualitätsanforderungen für Brauchwasser (Tabelle 2.) entsprechen.
- Es dürfen nur für Saunawasser geeignete Düfte verwendet werden. Befolgen Sie die Anweisungen, die dem Duft beigefügt sind.

Eigenschaften von Wasser	Auswirkungen	Empfehlung
Organische Verunreinigung	Farbe, Geschmack, Ausfällungen	<12 mg/l
Eisengehalt	Farbe, Geruch, Geschmack, Ausfällungen	<0,2 mg/l
Mangangehalt (Mn)	Farbe, Geruch, Geschmack, Ausfällungen	<0,10 mg/l
Wasserhärte: Die wichtigsten Bestandteile sind Kalzium (Ca) und Magnesium (Mg)	Ausfällungen	Ca: <100 mg/l Mg: <100 mg/l
Chloridhaltiges Wasser	Korrosion	Cl: <100 mg/l
Gechlortes Wasser	Gesundheitsrisiko	Verwendung verboten
Meerwasser	Schnelle Korrosion	Verwendung verboten
Arsen- und Radonkonzentrationen	Gesundheitsrisiko	Verwendung verboten

Tabelle 2.

8.4. Hinweise zum Saunabaden

- Waschen Sie sich vor Ihrem Saunagang.
- Bleiben Sie so lange in der Sauna, wie Sie sich wohl fühlen.
- Lassen Sie Ihre Gedanken zur Ruhe kommen und entspannen Sie sich.
- Zum guten Benehmen in der Sauna gehört es, auf andere Saunabesucher Rücksicht zu nehmen, ohne sie durch lautes Verhalten zu stören.
- Vertreiben Sie andere Saunabesucher nicht durch übermäßiges Aufgießen.
- Kühlen Sie Ihre Haut ab. Wenn Sie gesund sind, können Sie sich beim Schwimmen abkühlen.
- Waschen Sie sich nach Ende Ihres Saunagangs.
- Nehmen Sie sich einen Moment und kommen Sie zur Ruhe. Genießen Sie ein erfrischendes Getränk, um Ihren Flüssigkeitshaushalt wieder auszugleichen.

9. REGELMÄSSIGE WARTUNG UND INSTANDHALTUNG



Alle Wartungsarbeiten, die besondere Fähigkeiten erfordern, müssen von einer ausgebildeten Fachkraft durchgeführt werden.

9.1. Saunaofensteine

- Aufgrund der starken thermischen Beanspruchung werden die Steine des Saunaofens während des Betriebs allmählich beschädigt und zerbröckeln. Wechseln Sie die Steine des Saunaofens mindestens einmal im Jahr aus, oder öfter, wenn die Sauna sehr häufig genutzt wird.
- Entfernen Sie gleichzeitig alle angesammelten Steinreste und ersetzen Sie alle zerbrochenen Steine. Dadurch wird sichergestellt, dass die Dampfeigenschaften des Saunaofens erhalten bleiben und die Gefahr einer Überhitzung ausgeschlossen wird.
- Überprüfen Sie von Zeit zu Zeit die Füllhöhe der Steinkammer. Stellen Sie sicher, dass die Heizelemente stets komplett bedeckt bleiben. Etwa zwei Monate nach der Erstbefüllung ist mit einem wahrnehmbaren Absinken der Steinfüllung zu rechnen.

9.2. Fehlerbehebung

DE

Saunaofen heizt nicht

- Prüfen Sie, ob die Sicherungen des Saunaofens im Schaltkasten intakt sind.
- Prüfen Sie, ob das Anschlusskabel des Saunaofens eingesteckt ist.
- Überprüfen Sie, ob der Überhitzungsschutz ausgelöst wurde (siehe Installationsanleitung des Steuergeräts).

Die Saunakabine heizt nur langsam auf. Auf den Saunaofen gegossenes Wasser kühlt die Steine schnell ab.

- Prüfen Sie, ob die Sicherungen des Saunaofens im Schaltkasten intakt sind.
- Prüfen Sie, ob alle Heizelemente glühen, wenn der Saunaofen eingeschaltet ist.
- Stellen Sie die Temperatur höher ein (siehe Installationsanleitung des Steuergeräts).
- Prüfen Sie, ob die Leistung des Saunaofens nicht zu niedrig ist.
- Prüfen Sie, ob die Belüftung in der Sauna richtig eingestellt ist.

Die Saunakabine heizt sich schnell auf, aber die Steine haben keine Zeit, sich zu erwärmen. Das auf den Saunaofen gegossene Wasser verdunstet nicht, sondern fließt durch den Steinraum.

- Prüfen Sie, ob die Leistung des Saunaofens nicht zu hoch ist.
- Prüfen Sie, ob die Belüftung in der Sauna richtig eingestellt ist.

Paneele oder andere Materialien in der Nähe des Saunaofens dunkeln schnell nach

- Stellen Sie sicher, dass die erforderlichen Sicherheitsabstände eingehalten werden.
- Achten Sie daher darauf, dass sämtliche Heizelemente unter den Steinen verborgen sind und nichts mehr von ihnen zu sehen ist. Falls die Heizelemente sichtbar sind, stapeln Sie die Steine neu, so dass sie wieder vollständig bedeckt sind.
- Siehe auch Punkt (7.3. Die Saunawände verfärben sich dunkel).

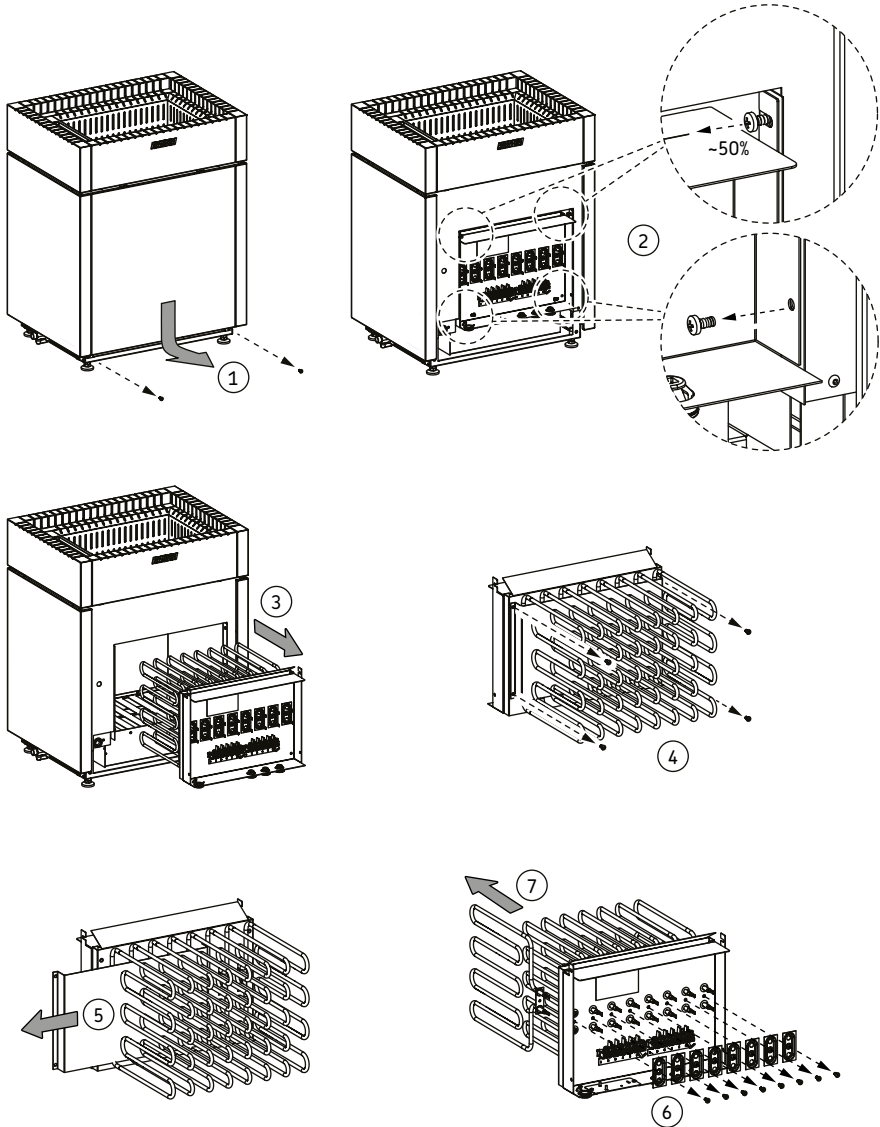
Saunaofen gibt einen Geruch ab

- Siehe Punkt (8.1. Benutzung des Saunaofens)
- Ein heißer Saunaofen kann die in der Luft vorhandenen Gerüche verstärken, aber die Sauna oder der Ofen selbst erzeugen keine Gerüche. Beispiele: Farben, Klebstoffe, Heizöl und Gewürze.

Saunaofen erzeugt ein Geräusch

- Gelegentliches Knallen wird normalerweise durch Steine verursacht, die aufgrund der Hitze zersplittern.
- Die thermische Ausdehnung von Teilen des Saunaofens kann Geräusche verursachen, wenn sich der Saunaofen aufheizt.

9.3. Auswechseln der Heizelemente



DE

Abbildung 11. Auswechseln der Heizelemente

10. ERSATZTEILE

spareparts.harvia.com



11. GARANTIEBEDINGUNGEN

www.harvia.com



DE

Harvia Qube

HARVIA

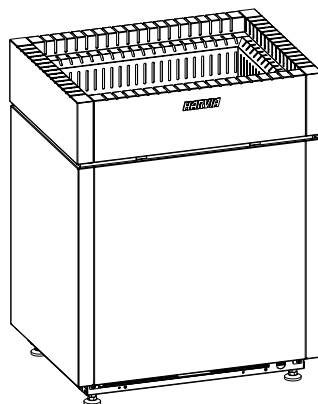
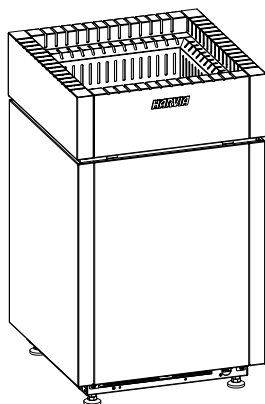
Sauna & Spa

Poêle électrique

Instructions d'installation et d'utilisation

Let's sauna.

Réf.	Type	Puissance
HQU904M	QU90E	9 kW
HQU1054M	QU105E	10,5 kW
HQU1204M	QU120E	12 kW
HQU1504M	QU150E	15 kW



FR



Félicitations ! Vous avez fait un excellent choix en acquérant ce poêle.

Un poêle pour sauna Harvia fonctionne mieux et plus longtemps s'il est utilisé et entretenu comme décrit dans le présent mode d'emploi. Veuillez lire les différentes instructions avant d'installer ou d'utiliser le poêle pour sauna. Conservez le guide pour pouvoir vous y référer ultérieurement. Les instructions d'installation et d'utilisation sont également disponibles sur notre site, à l'adresse www.harvia.com.

TABLE DES MATIÈRES

1. AVERTISSEMENTS ET REMARQUES	3
2. AVANT L'INSTALLATION	7
3. CONTENU DE LA LIVRAISON	8
4. EXEMPLE DE PACK D'INSTALLATION.....	8
5. DONNÉES TECHNIQUES.....	9
6. INSTRUCTIONS D'INSTALLATION	11
6.1. Distances de sécurité.....	11
6.2. Installation du poêle pour sauna	12
6.3. Installation du centre de contrôle et des capteurs.....	13
6.4. Raccordements électriques.....	14
6.5. Résistance d'isolement du poêle électrique	16
6.6. Placement des pierres de poêle.....	16
7. CABINE DE SAUNA	18
7.1. Structure de la cabine de sauna	18
7.2. Puissance des poêles	18
7.3. Noircissement des murs du sauna	19
7.4. Ventilation de la cabine de sauna	19
7.5. Hygiène de la cabine de sauna	20
8. MODE D'EMPLOI :.....	20
8.1. Utilisation du poêle pour sauna	20
8.2. Ajout d'eau.....	20
8.3. Qualité de l'eau nécessaire	21
8.4. Instructions d'utilisation du sauna	21
9. ENTRETIEN ET MAINTENANCE RÉGULIERS	22
9.1. Pierres pour poêle	22
9.2. Dépannage.....	22
9.3. Remplacement des résistances.....	23
10. PIÈCES DÉTACHÉES.....	24
11. CONDITIONS DE GARANTIE.....	24

1. AVERTISSEMENTS ET REMARQUES



Avant d'utiliser l'appareil, veuillez lire attentivement les différents avertissements et instructions.



AVERTISSEMENT ! Le non-respect de cet avertissement peut entraîner des blessures graves, voire mortelles.



ATTENTION ! Le non-respect de cet avertissement peut entraîner des blessures légères à graves.



Ne couvrez pas l'appareil !

Installation

- Le poêle pour sauna est conçu pour chauffer la cabine de sauna à la température souhaitée. Son utilisation à d'autres fins est strictement interdite. Le centre de contrôle est conçu pour commander le poêle et les fonctionnalités du sauna compatibles avec le centre de contrôle. Son utilisation à d'autres fins est strictement interdite.
- L'appareil ne peut être raccordé au réseau électrique que par un électricien qualifié, conformément à la réglementation en vigueur. Une fois les travaux d'installation terminés, la personne chargée de l'installation de l'appareil doit remettre à l'utilisateur les instructions d'installation et d'utilisation fournies avec l'appareil et lui proposer la formation nécessaire.
- Débranchez toujours l'appareil du secteur avant de réaliser des travaux de maintenance !
- Avant de procéder à l'installation et à la mise en service, vérifiez que l'appareil ne présente pas de dommages visibles. N'utilisez aucun appareil endommagé.
- Respectez toujours les valeurs indiquées dans le mode d'emploi de l'appareil. Ne pas les respecter peut entraîner un risque d'incendie.
- Sauf mention contraire des instructions, le sauna ne doit contenir qu'un seul poêle électrique.
- Les avertissements qui apparaissent sur l'appareil doivent être lisibles même après l'installation.
- Sauf mention contraire du mode d'emploi, le poêle ou l'appareil pour sauna ne doit pas être installé dans une niche murale.
- Si un garde-corps est installé autour du poêle, les distances de sécurité indiquées dans le mode d'emploi du poêle doivent être respectées.
- Si vous souhaitez installer des accessoires sur l'appareil, suivez toujours les instructions spécifiques à chaque accessoire lors de son installation ou de son utilisation.

- Veillez à ce qu'il y ait une ventilation suffisante dans le sauna (l'air doit être renouvelé six fois par heure).
- Lors de l'installation de la bouche d'aération, veillez à ce que le flux d'air ne refroidisse pas le capteur de chaleur (voir les instructions d'installation du capteur de chaleur).
- Si le cordon d'alimentation est endommagé, le fabricant, le représentant pour l'entretien ou une autre personne qualifiée doit le changer pour éviter tout danger.
- Le câble de raccordement au poêle ne doit pas être un câble avec gaine isolante en PVC en raison de sa fragilité thermique.
- Lors de l'installation du poêle, vérifiez toujours l'état des connecteurs de la boîte de jonction du sauna. Nous recommandons des connecteurs à vis. Évitez les connecteurs à ressort !
- Ne raccordez pas l'alimentation du courant au poêle via un disjoncteur différentiel.
- Si l'appareil est utilisé dans un sauna public sans interrupteur horaire, le témoin lumineux d'alimentation doit être placé dans la pièce où se trouve l'appareil.
- Veillez à toujours porter des gants de protection lors de l'installation et de l'entretien du poêle, ainsi que lors de l'ajout de pierres pour le poêle.
- Recouvrez complètement les résistances avec des pierres : une résistance exposée et incandescente peut entraîner un risque d'incendie !
- Ne placez aucun objet ou dispositif qui pourrait changer la quantité ou la direction de l'air circulant dans le poêle dans le compartiment à pierres ou à proximité.

Utilisation

- Cet appareil peut être utilisé par des enfants âgés de 8 ans ou plus et par des personnes dont les capacités physiques, sensorielles ou mentales sont réduites ou qui manquent d'expérience et de connaissances, à condition qu'elles soient encadrées ou formées à l'utilisation sûre de l'appareil et qu'elles comprennent les risques encourus.
- Les enfants ne sont pas autorisés à jouer avec l'appareil. Les enfants ne doivent pas nettoyer l'appareil ou effectuer des travaux d'entretien sans surveillance.
- Faites attention au poêle lorsqu'il est chaud. Les pierres et les parties métalliques du poêle sont suffisamment chaudes pour brûler la peau.
- Avant d'allumer le poêle, vérifiez toujours qu'aucun objet ne se trouve dessus ou à proximité immédiate.

- Veillez à ce qu'il y ait une bonne ventilation lors des premières mises en chauffe du poêle, car ce dernier peut dégager une odeur.
- Ne jetez pas ou ne versez pas trop d'eau à la fois sur le poêle, car cela pourrait provoquer des éclaboussures brûlantes.
- Ne jetez pas d'eau sur le poêle si quelqu'un se trouve à proximité.
- N'utilisez pas de louche d'une capacité supérieure à 0,2 litre.
- N'utilisez pas d'autre type d'eau que celle spécifiée dans les instructions du poêle.
- Si vous utilisez des parfums pour sauna dans l'eau, n'utilisez que des parfums prévus à cet effet et suivez leur mode d'emploi.
- Un séjour prolongé dans un sauna chaud augmente la température du corps, ce qui peut être dangereux.
- Tenez les enfants à l'écart du poêle.
- Ne laissez pas les enfants, les personnes à mobilité réduite ou toute personne en situation de handicap seuls dans le sauna.
- Vérifiez auprès d'un médecin si vous avez des restrictions médicales liées à l'utilisation du sauna.
- Faites preuve de prudence lorsque vous vous déplacez dans le sauna ; les bancs et le sol peuvent être glissants.
- N'entrez pas dans un sauna chaud si vous êtes sous l'influence de l'alcool, de médicaments, de stupéfiants ou de toute autre substance intoxicante.
- Ne dormez pas dans un sauna chauffé.
- Un climat marin ou tout autre climat humide peuvent corroder les surfaces métalliques du poêle.
- En raison du risque d'incendie, le sauna ne doit pas être utilisé comme pièce pour sécher du linge. Une forte humidité peut également endommager les appareils électriques.
- Ne réinitialisez pas la sécurité-surchauffe en appuyant sur le bouton de réinitialisation tant que la cause de son déclenchement n'a pas été déterminée. Sauf mention contraire des instructions, la sécurité-surchauffe ne doit être réinitialisée que par un technicien qualifié.
- À la fin de la durée de fonctionnement, vérifiez toujours que l'appareil est éteint et a cessé de chauffer.
- Les éclats de pierre chaude tombant du poêle peuvent endommager les revêtements de sol et provoquer un risque d'incendie.
- Dans les saunas publics, où le poêle est utilisé sans interrupteur horaire ou en continu pendant une durée supérieure à celle permise par les réglages usine de l'interrupteur horaire du poêle ou du centre de contrôle, l'appareil doit être surveillé en permanence.

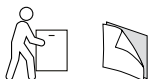
- La cabine de sauna et la zone autour du poêle doivent toujours être inspectées avant que le poêle ne soit remis en marche ou mis en marche à distance.
- La cabine de sauna et l'environnement du poêle doivent toujours être inspectés avant que l'appareil ne soit mis en mode veille pour la commande à distance ou pour le fonctionnement préprogrammé.
- Conformément à la norme IEC/EN 60335-2-53 relative aux appareils de chauffage de sauna électriques, les centres de contrôle dotés d'une fonction de démarrage à distance peuvent être utilisés pour commander et réguler le poêle lorsqu'un mécanisme d'arrêt de sécurité approprié (porte ou interrupteur de sécurité) est installé sur le poêle ou sur la porte du sauna.

Entretien

- Toutes les opérations d'entretien nécessitant des compétences particulières doivent être réalisées par un professionnel qualifié.
- Essuyez le poêle de temps à autre avec un chiffon humide pour enlever la poussière et la saleté. Si besoin, utilisez un détergent doux. Ne le nettoyez pas à grandes eaux.
- Avant de le nettoyer, assurez-vous que l'appareil a complètement refroidi.
- Au moins une fois par an, réarrangez les pierres ou remplacez les pierres cassées.

2. AVANT L'INSTALLATION

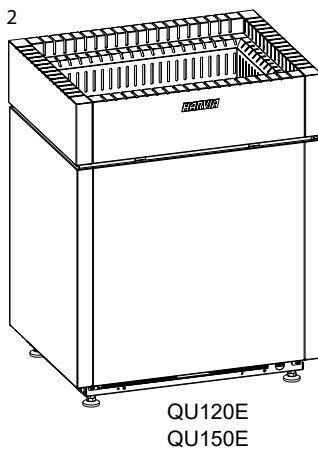
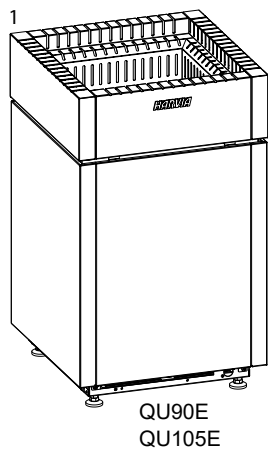
- **Le poêle doit toujours être transporté à la verticale.**
- **Il est possible de soulever et déplacer le poêle en le maintenant par son enveloppe extérieure.**
- **Retirez le film protecteur du poêle avant de l'utiliser.**



Liste de contrôle pour l'installation du poêle

- Vérifiez que le poêle est intact. N'utilisez pas un poêle défectueux. Signalez au fournisseur tout dommage survenu pendant le transport.
- Le poêle est adapté en termes de puissance et de type à la cabine de sauna en question. Le volume du sauna ne doit pas dépasser ou être inférieur à (5. Données techniques) (7.2. Puissance des poêles)
- La tension d'alimentation est adaptée au poêle.
- L'emplacement du poêle respecte les distances de sécurité minimales (6.1. Distances de sécurité)
- L'emplacement du capteur de température/de la sécurité-surchauffe est adapté au poêle. Assurez-vous que le capteur de température est installé conformément aux instructions.
- Assurez-vous de placer les pierres du poêle conformément aux instructions.
- Si des accessoires doivent être installés, suivez les instructions d'installation et d'utilisation spécifiques au produit.
- Assurez-vous que le centre de contrôle est compatible avec le poêle. Vous pouvez vérifier la compatibilité des derniers modèles de centres de contrôle sur Harvia.com
- Veuillez conserver ce mode d'emploi pour toute référence ultérieure.

3. CONTENU DE LA LIVRAISON

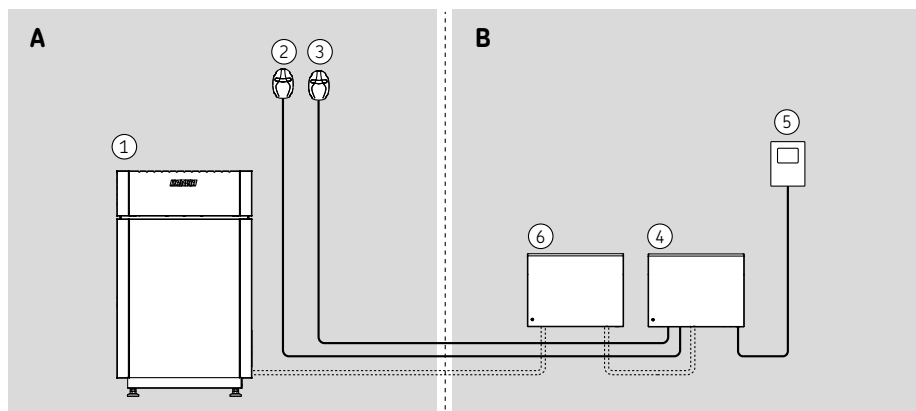


FR

1. Poêle pour sauna

2. Instructions d'installation et d'utilisation

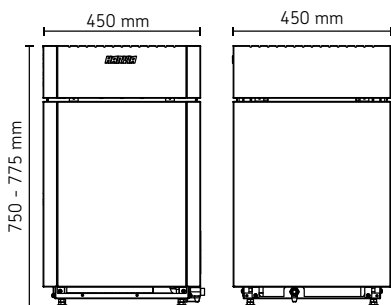
4. EXEMPLE DE PACK D'INSTALLATION



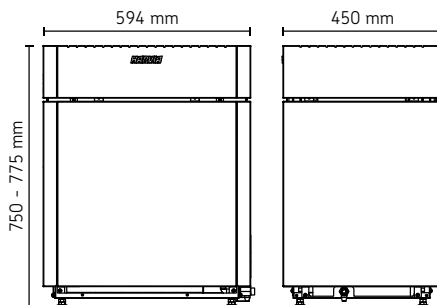
A. Cabine de sauna	B. Espace sec
1. Poêle pour sauna	4. Centre de contrôle
2. Capteur de température	5. Panneau de commande
3. Capteur d'banc	6. Boîtier d'extension de puissance (optionnelle. Utilisation obligatoire si 2 groupes ou plus de 11kW)

5. DONNÉES TECHNIQUES

QU90E, QU105E



QU120E, QU150E



CARACTÉRISTIQUES D'INSTALLATION

	QU90E	QU105E	QU120E	QU150E
Puissance (kW) du poêle pour sauna	9	10.5	12	15
Tensions de service	400 V 3N- 230 V 1N-	400 V 3N- 230 V 1N-	400 V 3N-	400 V 3N-
Groupes d'électricité	1 groupe	1 groupe	2 groupes	2 groupes
Fréquence (Hz)	50 / 60	50 / 60	50 / 60	50 / 60
Câble d'alimentation	5 x 2.5 mm ²	5 x 2.5 mm ²	5 x 2.5 mm ²	5 x 2.5 mm ²
Type de câble de raccordement	H07RN-F ou équivalent	H07RN-F ou équivalent	H07RN-F ou équivalent	H07RN-F ou équivalent
Indice de protection	IPX4	IPX4	IPX4	IPX4
Température de stockage	0-50°C	0-50°C	0-50°C	0-50°C

PIERRES

	QU90E	QU105E	QU120E	QU150E
Taille des pierres (cm)	Ø 5-10	Ø 5-10	Ø 5-10	Ø 5-10
Quantité de pierres (kg)	25	25	40	40

DIMENSIONS




	QU90E	QU105E	QU120E	QU150E
Hauteur (mm)	750 - 775	750 - 775	750 - 775	750 - 775
Largeur (mm)	450	450	594	594
Profondeur (mm)	450	450	450	450
Poids (kg)	34	34	40	40

FR

CABINE DE SAUNA				
	QU90E	QU105E	QU120E	QU150E
Volume de la pièce (m³)	9-14	10-15	14-18	18-25
Hauteur minimale du sauna (mm)	1900	1900	1900	1900
ACCESSOIRES AGRÉÉS				
	QU90E	QU105E	QU120E	QU150E
Garde-corps	QUBE-L5 QUBE-W5	QUBE-L5 QUBE-W5	QUBE-L6 QUBE-W6	QUBE-L6 QUBE-W6
Dispositifs de sécurité SFE	SFE-500500	SFE-500500	SFE-500500	SFE-500500
CENTRES DE CONTRÔLE COMPATIBLES				
	QU90E	QU105E	QU120E	QU150E
Consultez les derniers modèles de centres de contrôle sur notre site www.harvia.com.	FX110 CX110 C105VKK Pro B2 Pro C2 Pro D2 Pro D2i	FX110 CX110 C105VKK Pro B2 Pro C2 Pro D2 Pro D2i	FX170 CX170 C105VKK *) Pro B2 *) Pro C2 *) Pro D2 *) Pro D2i *)	FX170 CX170 C105VKK *) Pro B2 *) Pro C2 *) Pro D2 *) Pro D2i *)
BOÎTIER D'EXTENSION DE PUISSANCE *)				
	QU90E	QU105E	QU120E	QU150E
Voir les derniers modèles sur notre site harvia.com	LTY17 0-S2-18 0-S2-18S	LTY17 0-S2-18 0-S2-18S	LTY17 0-S2-18 0-S2-18S	LTY17 0-S2-18 0-S2-18S
*) optionnelle. Utilisation obligatoire si 2 groupes ou plus de 11kW				

Tableau 1. Données techniques

6. INSTRUCTIONS D'INSTALLATION

-  **Respectez toujours les valeurs indiquées dans le mode d'emploi de l'appareil. Ne pas les respecter peut entraîner un risque d'incendie.**
-  **Sauf mention contraire des instructions, le sauna ne doit contenir qu'un seul poêle électrique.**
-  **Les avertissements qui apparaissent sur l'appareil doivent être lisibles même après l'installation.**

6.1. Distances de sécurité

- Les distances minimales de sécurité par rapport aux matériaux combustibles sont indiquées sur la figure (Figure 1. Distances de sécurité).
- Si un garde-corps est installé autour du poêle, les distances de sécurité indiquées sur la figure (Figure 1. Distances de sécurité) ou dans les instructions d'installation du garde-corps doivent être respectées.

(min. mm)

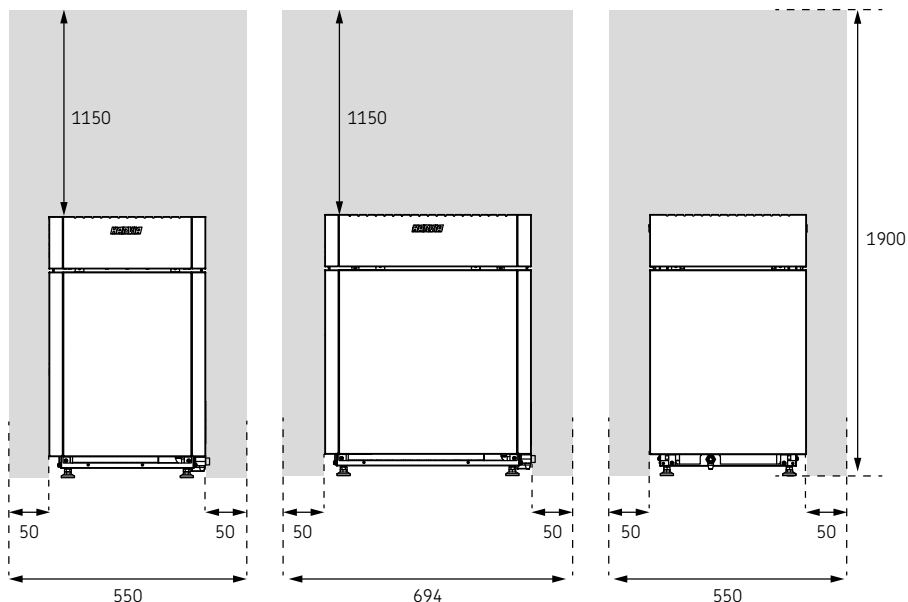


Figure 1. Distances de sécurité

FR

6.2. Installation du poêle pour sauna

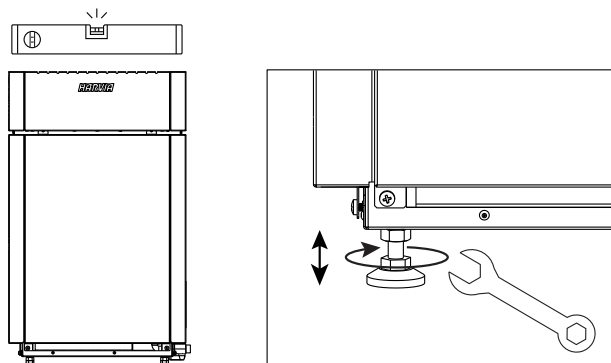


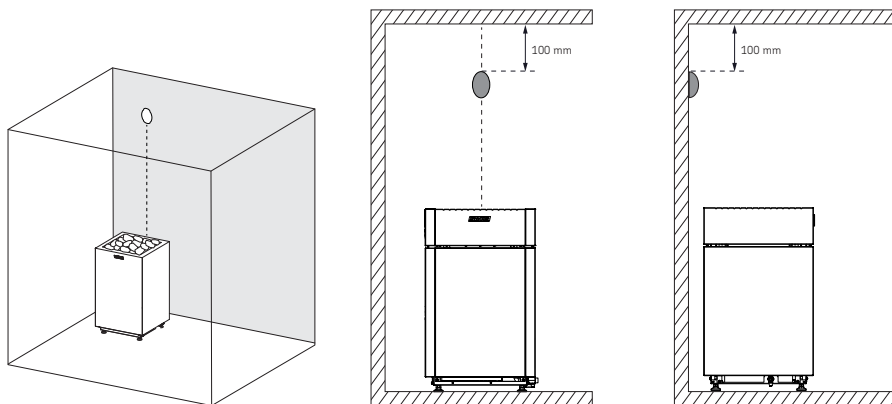
Figure 2. Installation du poêle pour sauna

6.3. Installation du centre de contrôle et des capteurs



Lors de l'installation de la bouche d'aération, veillez à ce que le flux d'air ne refroidisse pas le capteur de chaleur.

- Des instructions détaillées sont fournies avec le centre de contrôle pour savoir comment le fixer au mur.
- Installez le capteur de chaleur comme indiqué sur l'image. Si le poêle est installé à plus de 150 mm du mur, le capteur doit être installé au plafond.



FR

Figure 3a. Installation du capteur de chaleur au mur

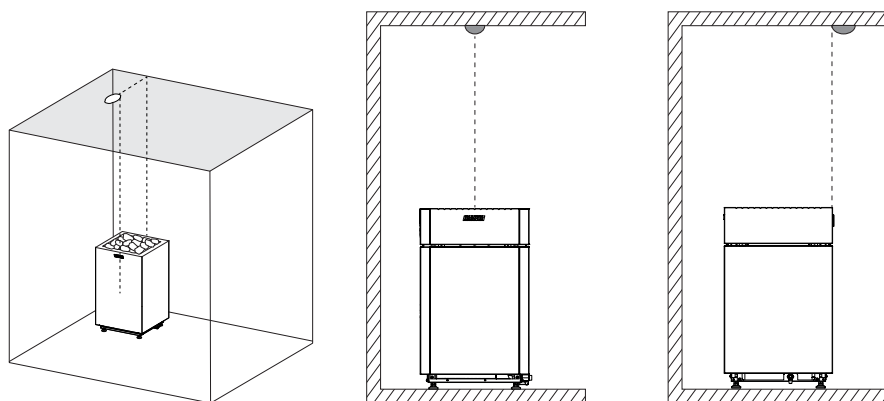


Figure 3b. Installation du capteur de chaleur au plafond

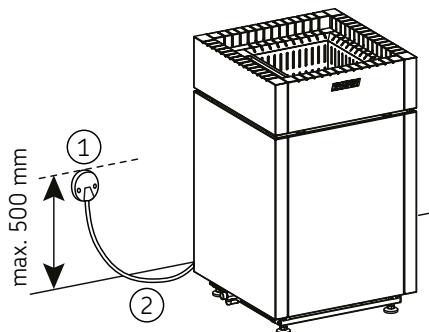
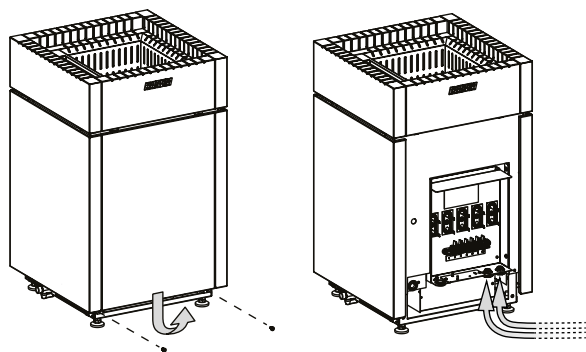
6.4. Raccordements électriques



Le poêle pour sauna ne peut être raccordé au réseau électrique que par un électricien qualifié, conformément à la réglementation en vigueur.

- Le poêle est raccordé de manière semi-fixe au boîtier de jonction situé sur la paroi du sauna. Le boîtier de jonction doit être protégé contre les éclaboussures et ne doit pas se trouver à plus de 500 mm au-dessus du sol.
- Le câble de raccordement doit être un câble en caoutchouc de type H07RN-F ou équivalent. REMARQUE : Le câble de raccordement au poêle ne doit pas être un câble avec gaine isolante en PVC en raison de sa fragilité thermique.
- Si les câbles de raccordement ou d'installation sont placés dans le sauna ou à l'intérieur des parois du sauna à une hauteur supérieure à 1 000 mm au-dessus du sol, ils doivent pouvoir résister à une température d'au moins 170 °C sous charge (par exemple, câbles gainés en silicone). Les appareils électriques installés à plus de 1 000 mm du sol du sauna doivent être homologués pour une utilisation à une température ambiante de 125 °C (marquage T125).

FR



- | |
|------------------------|
| 1. Boîtier de jonction |
| 2. Câble |

Figure 4. Raccordements électriques

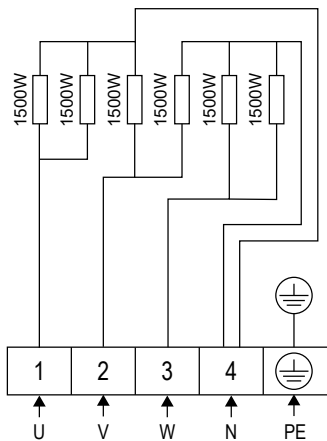


Figure 5. Schéma de câblage QU90E

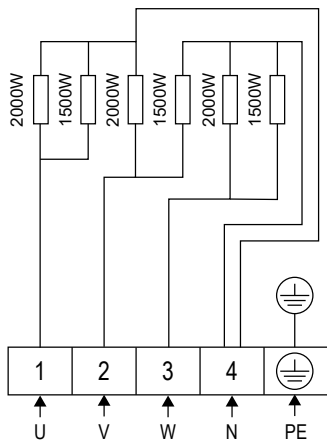
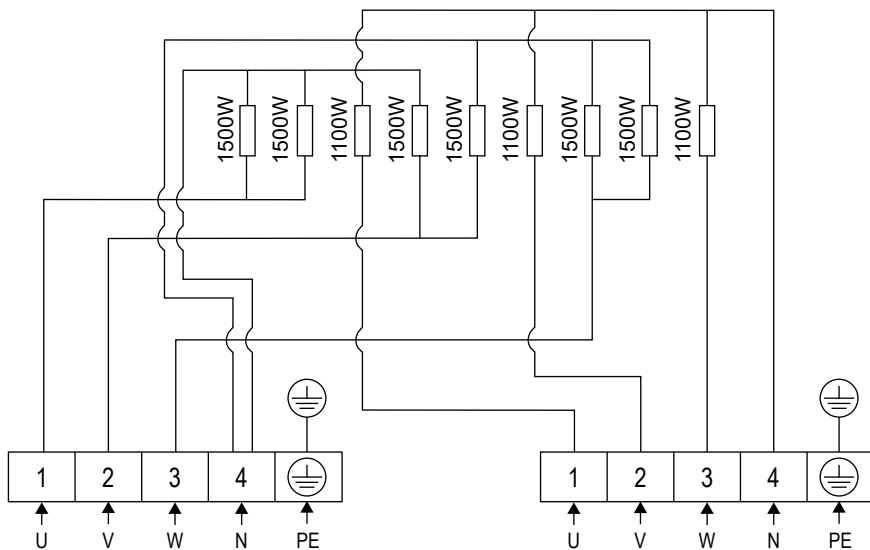


Figure 6. Schéma de câblage QU105E



à l'amplificateur de puissance
9 kW

pour le contrôle du sauna
3.3 kW

Figure 7. Schéma de câblage QU120E

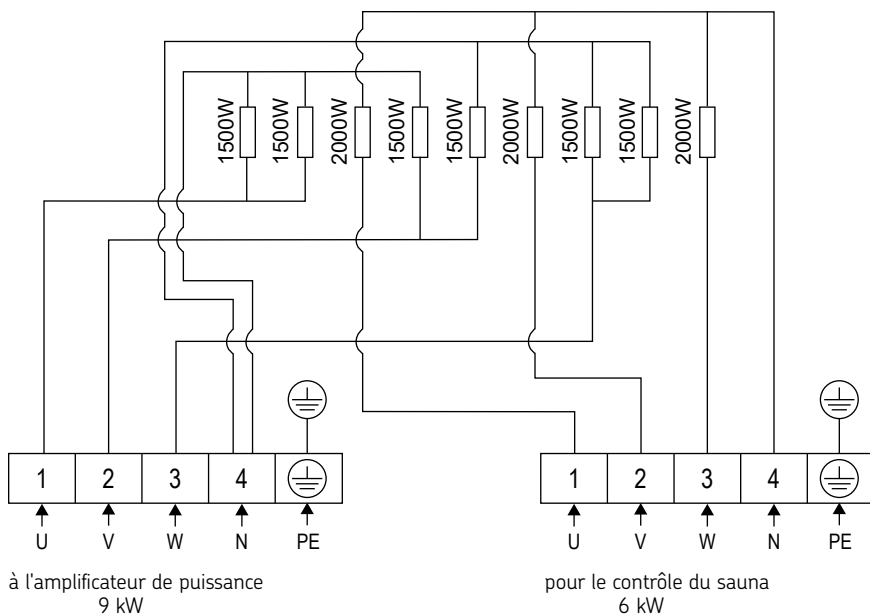


Figure 8. Schéma de câblage QU150E

6.5. Résistance d'isolement du poêle électrique



Ne raccordez pas l'alimentation du courant au poêle via un disjoncteur différentiel !

Lors de l'inspection finale des installations électriques, la mesure de la résistance d'isolement du poêle peut révéler des « fuites » dues à l'absorption de l'humidité présente dans l'air (pendant le stockage/transport) par le matériau isolant des résistances. L'humidité peut être éliminée des résistances après quelques cycles de chauffage.

6.6. Placement des pierres de poêle



Les pierres du poêle pour sauna sont importantes pour la sécurité de l'appareil. Afin de conserver la garantie, l'utilisateur est responsable du bon entretien du compartiment à pierres conformément aux spécifications et aux instructions.



Ne placez aucun objet ou appareil dans le compartiment à pierres du poêle ou à proximité de celui-ci qui puisse modifier la quantité ou la direction de l'air circulant dans le poêle.



Si une résistance n'est pas entourée de pierres, elle peut émettre une chaleur dangereusement élevée, même au-delà des distances de sécurité du poêle. Assurez-vous que les résistances sont bien recouvertes de pierres. En tant qu'utilisateur, vous êtes tenu de veiller à ce que le compartiment à pierres soit correctement entretenu pendant toute la durée de vie du poêle.

Informations importantes sur les pierres de poêle appropriées :

- Les pierres de poêle appropriées sont en péridotite, en dolérite à olivine, en olivine et en vulcanite.
- Utilisez uniquement la surface de clivage et/ou des pierres arrondies pour votre poêle.
- Si les résistances d'un poêle électrique sont en contact avec les pierres, il ne faut utiliser des pierres arrondies qu'au niveau des couches extérieures du compartiment à pierres, afin qu'elles ne puissent entrer en contact avec les résistances.
- Les pierres en céramique et les pierres décoratives ne peuvent être utilisées qu'après approbation du fabricant et dans le respect des instructions qui leur sont propres.
- Veuillez noter que les pierres décoratives ne conviennent qu'à la couche supérieure du compartiment à pierres. En vue d'assurer une circulation suffisante de l'air, il ne faut pas trop tasser les pierres décoratives. Placez toutes les pierres décoratives de sorte qu'elles ne puissent toucher les résistances du poêle électrique.
- La garantie ne couvre pas les défauts dus à l'utilisation de pierres décoratives ou de pierres de poêle non recommandées par le fabricant.
- Les pierres doivent être rincées de toute poussière avant d'être placées sur le poêle.

Pour placer les pierres, veuillez suivre les instructions suivantes :

- Commencez par les plus grosses pierres, en les plaçant au fond et sur les côtés. Cela assure une ventilation suffisante et forme une base stable pour le compartiment à pierres.
- Placez les pierres une par une. Ne les laissez pas tomber dans le compartiment à pierres.
- Ne créez pas une pile de pierres sur le poêle. Les pierres pourraient atteindre le niveau des conduits d'air du poêle. Une quantité excessive de pierres réduit la ventilation et affaiblit les propriétés du poêle.
- Nous vous recommandons de garder quelques pierres supplémentaires en réserve pour remplacer celles qui sont cassées ou pour en ajouter si le niveau des pierres diminue avec le temps.

FR

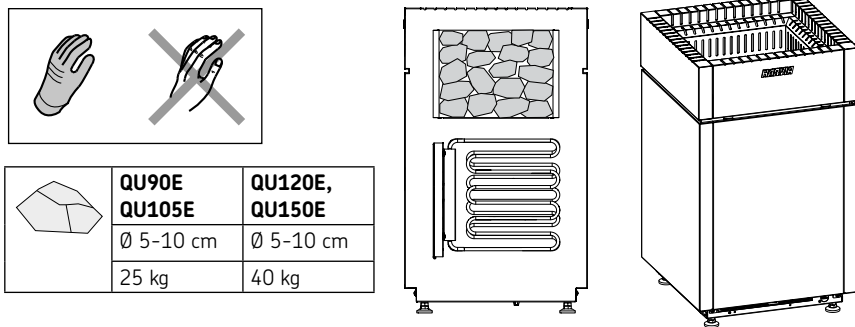
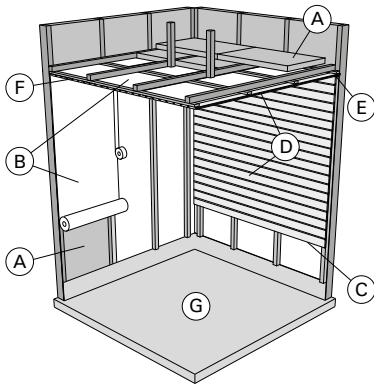


Figure 9. Placement des pierres de poêle

7. CABINE DE SAUNA

7.1. Structure de la cabine de sauna



- A. Laine isolante, épaisseur 50 à 100 mm. La cabine de sauna doit être soigneusement isolée, afin de pouvoir maintenir le poêle à une température relativement basse.
- B. Protection contre l'humidité, par ex., papier aluminium. Placer le côté brillant du papier vers l'intérieur du sauna. Assembler les raccords avec du ruban adhésif aluminium.
- C. Espace d'aération d'environ 10 mm entre la protection contre l'humidité et le panneau (recommandation).
- D. Lambris léger de 12 à 16 mm d'épaisseur. Avant de commencer le lambrissage, vérifier le câblage électrique et les renforts des murs, nécessaires à l'installation du poêle et des bancs.
- E. Espace d'aération d'environ 3 mm entre le mur et le panneau de plafond.
- F. La hauteur du sauna se situe généralement entre 2 100 et 2 300 mm. La hauteur minimum dépend du poêle (>Données techniques.). L'espace entre le banc supérieur et le plafond ne doit pas être supérieur à 1 200 mm.
- G. Utiliser des revêtements de sol en céramique et des joints en ciment sombres. Les particules provenant des pierres du poêle qui se désintègrent et les impuretés contenues dans l'eau du sauna peuvent noircir et/ou endommager les revêtements de sol fragiles.

REMARQUE : Demander aux autorités de lutte contre l'incendie quelles parties de la paroi coupe-feu peuvent être isolées. Les conduits de fumée utilisés ne doivent pas être isolés.

REMARQUE : Les plaques de protection légères montées directement contre le mur ou le plafond peuvent présenter un risque d'incendie.

REMARQUE : S'assurer que l'eau s'égouttant sur le sol du sauna s'évacue par le siphon de sol.

7.2. Puissance des poêles

Lorsque les murs et le plafond sont couverts de panneaux et que l'isolation placée derrière les panneaux est adaptée, la puissance du poêle est définie en fonction du volume du sauna. Les murs non isolés (brique, bloc de verre, béton, tuiles, etc.) augmentent le besoin en puissance du poêle. Ajouter 1,2 m³ au volume du sauna pour chaque mètre carré de mur non isolé. Par exemple, une cabine de sauna de 10 m³ équipée d'une porte en verre présente des besoins en matière de puissance équivalents à ceux d'une cabine d'environ 12 m³. Si la cabine de sauna est équipée de murs en madriers, multiplier le volume du sauna par 1,5. (5. Données techniques)

7.3. Noircissement des murs du sauna

Avec le temps, il est tout à fait normal que les surfaces en bois de la cabine de sauna noircissent. Ce noircissement peut être accéléré par :

- la lumière du soleil,
- la chaleur du poêle,
- les agents de protection appliqués sur les murs (les agents de protection présentent un faible niveau de résistance à la chaleur),
- les fines particules provenant des pierres du poêle qui sont soulevées par le flux d'air.

7.4. Ventilation de la cabine de sauna



Le capteur de température doit toujours être installé à l'endroit indiqué. Si la distance minimale par rapport à la bouche de ventilation n'est pas respectée, la ventilation doit être déplacée !



Ne pas placer la bouche d'arrivée d'air de manière à ce que le flux d'air refroidisse le capteur de température!

- L'air de la cabine de sauna doit se renouveler six fois par heure.
- **Ventilation mécanique** : la bouche de ventilation doit être installée dans la partie supérieure du sauna de façon à ne pas gêner le fonctionnement du capteur de température. (Figure 9. Distance minimale entre la bouche d'air et le capteur)
- **Ventilation à pression** : la bouche de ventilation doit être installée sous le poêle du sauna ou à côté de celui-ci. Le diamètre de la bouche de ventilation doit être compris entre 50 et 100 mm.
- Bouche d'évacuation d'air. Placer la bouche d'évacuation d'air près du sol, aussi loin que possible du poêle. Le diamètre du conduit d'évacuation d'air doit être le double de celui du conduit d'arrivée d'air.
- Bouche d'air facultative pour le séchage (fermée pendant le chauffage et les séances de sauna). Le sauna peut aussi être séché en laissant la porte ouverte après la séance.
- Si la bouche d'évacuation d'air se trouve dans la salle de toilette, l'espace sous la porte de la cabine doit être au moins de 100 mm. La ventilation mécanique est obligatoire.

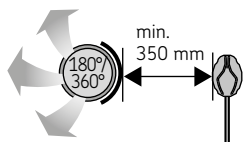
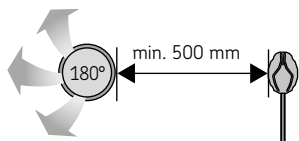
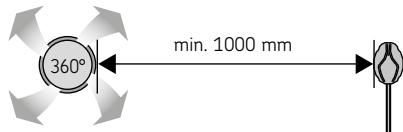


Figure 10. Distance minimale entre la bouche d'air et le capteur

7.5. Hygiène de la cabine de sauna

- Utiliser des serviettes pour banc pendant la séance de sauna, pour éviter que la transpiration ne coule sur les bancs.
- Les bancs, les murs et le sol du sauna doivent être soigneusement lavés au minimum tous les six mois. Utiliser une brosse à récurer et du détergent pour sauna.
- Essuyer la poussière et la saleté accumulées sur le poêle à l'aide d'un chiffon humide. Éliminer les traces de chaux présentes sur le poêle à l'aide d'une solution d'acide citrique à 10 % et rincer.

8. MODE D'EMPLOI :

8.1. Utilisation du poêle pour sauna



Avant d'allumer le poêle, vérifiez toujours qu'aucun objet ne se trouve dessus ou à proximité immédiate.

- Le poêle est commandé par un centre de contrôle distinct. Veuillez vous référer au mode d'emploi fourni avec le centre de contrôle.
- Lors de la première utilisation, le poêle et les pierres dégagent des odeurs qui doivent être éliminées par une bonne ventilation de la cabine de sauna.
- Si le poêle a une puissance adaptée à la taille de la cabine et que la cabine est correctement isolée thermiquement, celle-ci atteint sa température de fonctionnement en une heure environ. Les pierres du poêle ont généralement besoin de la même durée de chauffe que la cabine de sauna.
- La température idéale dans la cabine de sauna est d'environ 65 à 80 °C.

8.2. Ajout d'eau



N'utilisez pas de louche d'une capacité supérieure à 0,2 litre. Si une trop grande quantité d'eau est jetée ou versée à la fois sur le poêle, elle risque d'éclabousser les utilisateurs en crépitant.



Pour éviter tout risque de brûlure, ne jetez pas d'eau sur le poêle si quelqu'un se trouve à proximité.

- L'air du sauna s'assèche lorsqu'il est chauffé. Il est donc nécessaire d'augmenter l'humidité en jetant de l'eau sur les pierres du poêle.
- Chacun ressent les effets de la chaleur et de l'humidité à sa manière ; faites plusieurs essais pour trouver la température et l'humidité qui vous conviennent.
- Faites attention à ne jeter de l'eau que sur les pierres du poêle.

8.3. Qualité de l'eau nécessaire

- L'eau utilisée dans le sauna doit répondre aux exigences de qualité de l'eau potable (Tableau 2.).
- Seuls les parfums spécifiquement conçus pour l'eau de sauna peuvent être utilisés. Suivez les instructions fournies avec le parfum.

Propriétés de l'eau	Effets	Recommandation
Impureté organique	Couleur, goût, précipités	<12 mg/l
Teneur en fer	Couleur, odeur, goût, précipités	<0,2 mg/l
Teneur en manganèse (Mn)	Couleur, odeur, goût, précipités	<0,10 mg/l
Dureté de l'eau : les principaux composants sont le calcium (Ca) et le magnésium (Mg).	Précipités	Ca : <100 mg/l Mg : <100 mg/l
Eau chlorique	Corrosion	Cl : <100 mg/l
Eau chlorée	Risque pour la santé	Utilisation interdite
Eau de mer	Corrosion rapide	Utilisation interdite
Concentrations d'arsenic et de radon	Risque pour la santé	Utilisation interdite

Tableau 2.

8.4. Instructions d'utilisation du sauna

- Commencez votre séance de sauna en vous lavant.
- Restez dans le sauna tant que vous vous y sentez à l'aise.
- Ne pensez plus à rien et détendez-vous.
- Pensez aux autres utilisateurs du sauna, ne les dérangez pas par un comportement bruyant.
- Ne poussez pas les autres à sortir en jetant trop d'eau.
- Rafraîchissez votre peau. Si vous êtes en bonne santé, vous pouvez nager pour vous rafraîchir après votre séance.
- Terminez votre séance de sauna en vous lavant.
- Reposez-vous et détendez-vous. Savourez une boisson rafraîchissante pour rétablir votre équilibre hydrique.

9. ENTRETIEN ET MAINTENANCE RÉGULIERS



Toutes les opérations d'entretien nécessitant des compétences particulières doivent être réalisées par un professionnel qualifié.

9.1. Pierres pour poêle

- En raison des cycles thermiques intenses, les pierres de poêle pour sauna se détériorent et s'effritent progressivement au cours de l'utilisation. Remplacez les pierres au moins une fois par an (et plus souvent si le sauna est utilisé très fréquemment).
- Par la même occasion, retirez les débris de pierre accumulés et remplacez les pierres cassées. Cela vous permettra de conserver les propriétés de vapeur du poêle et d'éviter tout risque de surchauffe.
- Vérifiez de temps en temps le niveau de pierres. Assurez-vous que les résistances ne deviennent pas visibles avec le temps. Le niveau de pierres est susceptible de baisser au bout de deux mois après l'installation des pierres.

9.2. Dépannage

Le poêle ne chauffe pas

- Vérifiez que les fusibles du poêle dans le tableau électrique sont intacts.
- Vérifiez que le câble de raccordement du poêle est branché.
- Vérifiez que la sécurité-surchauffe ne s'est pas déclenchée (voir les instructions d'installation du centre de contrôle).

La cabine de sauna chauffe lentement. L'eau versée sur le poêle refroidit rapidement les pierres.

- Vérifiez que les fusibles du poêle dans le tableau électrique sont intacts.
- Vérifiez que toutes les résistances rougeoient lorsque le poêle est allumé.
- Réglez la température à un niveau plus élevé (voir les instructions d'installation du centre de contrôle).
- Vérifiez que la puissance du poêle n'est pas trop faible.
- Vérifiez que la ventilation de la cabine de sauna est correcte.

La cabine de sauna chauffe rapidement, mais les pierres n'ont pas le temps de chauffer. L'eau jetée sur le poêle ne s'évapore pas, mais coule dans le compartiment à pierres.

- Vérifiez que la puissance du poêle n'est pas trop élevée.
- Vérifiez que la ventilation de la cabine de sauna est correcte.

Les parois ou autres matériaux situés à proximité du poêle noircissent rapidement

- Assurez-vous que les distances de sécurité obligatoires sont respectées.
- Assurez-vous que les résistances sont bien recouvertes de pierres. Si elles sont visibles, remplacez les pierres de manière à recouvrir entièrement les résistances.
- Voir également le point (7.3. Les murs du sauna deviennent sombres).

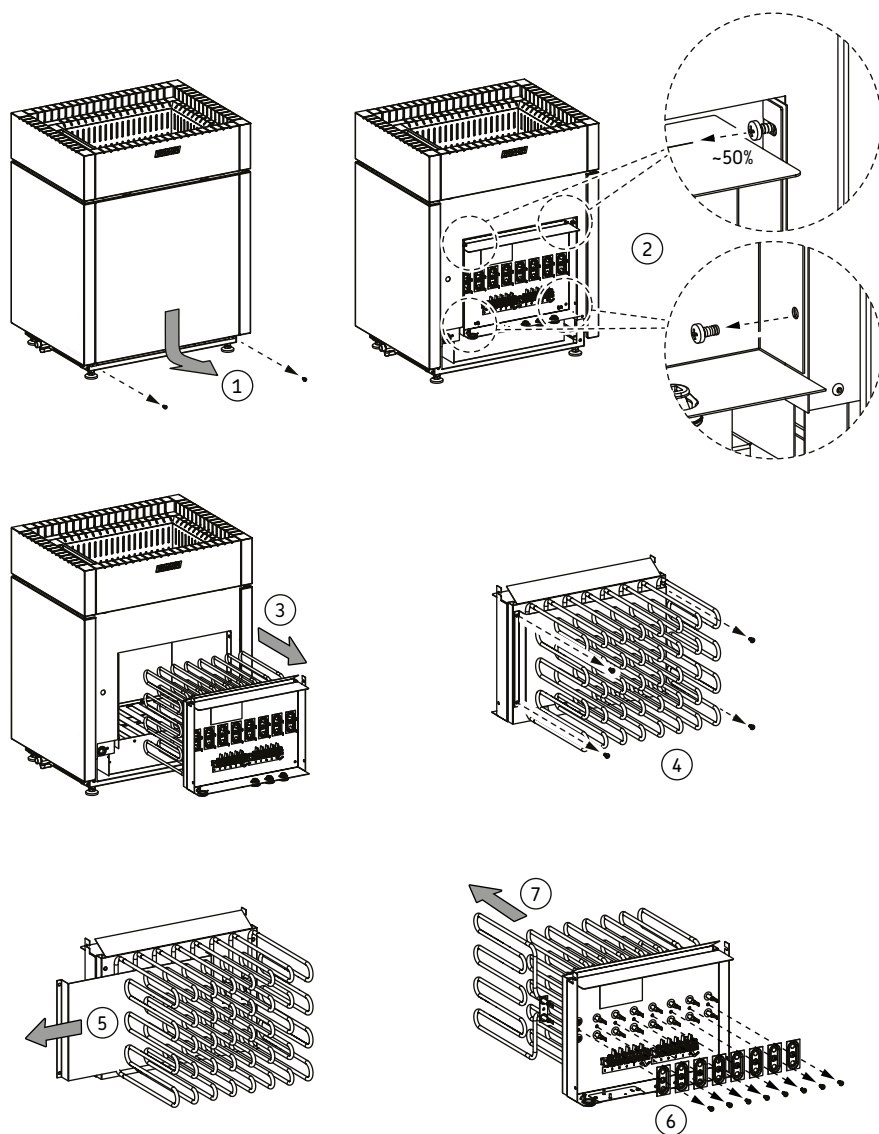
Le poêle dégage une odeur

- Voir le point (8.1. Utilisation du poêle pour sauna)
- Un poêle pour sauna chaud peut intensifier les odeurs mélangées dans l'air, mais le sauna ou le poêle ne produisent pas d'odeurs par eux-mêmes. Exemples : peintures, colles, huile de chauffage et épices.

Le poêle est bruyant

- Les bruits occasionnels sont généralement causés par des pierres qui se fendent en raison de la chaleur.
- La dilatation thermique des pièces du poêle peut provoquer des bruits lorsqu'il chauffe.

9.3. Remplacement des résistances



FR

Figure 11. Remplacement des résistances

10. PIÈCES DÉTACHÉES

spareparts.harvia.com



11. CONDITIONS DE GARANTIE

www.harvia.com



FR

Harvia Qube

Elektrische saunakachel

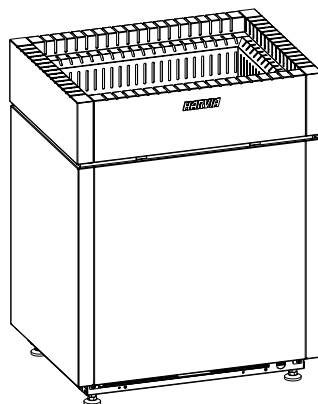
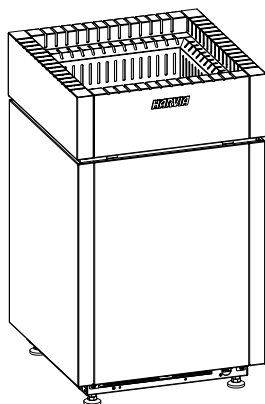
Instructies voor installatie en gebruik

HARVIA

Sauna & Spa

Let's sauna.

Artikelnr.	Type	Vermogen
HQU904M	QU90E	9 kW
HQU1054M	QU105E	10,5 kW
HQU1204M	QU120E	12 kW
HQU1504M	QU150E	15 kW



NL



Gefeliciteerd met uw saunakachel; een uitstekende keuze!

Een saunakachel van Harvia werkt het best en gaat lang mee als u hem gebruikt en onderhoudt zoals beschreven in deze handleiding. Neem de instructies door voordat u de saunakachel installeert of in gebruik neemt. Bewaar de instructies voor toekomstig gebruik. De installatie- en gebruiksinstructies zijn ook te vinden op onze website www.harvia.com.

Contents

1. WAARSCHUWINGEN EN OPMERKINGEN	3
2. VOORAFGAAND AAN DE INSTALLATIE.....	7
3. LEVERINGSOMVANG	8
4. VOORBEELD VAN EEN INSTALLATIEPAKKET	8
5. TECHNISCHE INFORMATIE	9
6. INSTALLATIE-INSTRUCTIES.....	11
6.1. Veiligheidsafstanden.....	11
6.2. Installatie saunakachel	12
6.3. De besturingsunit en sensoren installeren	13
6.4. Elektrische aansluitingen	14
6.5. Isolatieweerstand van de elektrische saunakachel.....	16
6.6. Saunastenen plaatsen.....	17
7. DE SAUNARUIMTE.....	18
7.1. Constructie van saunaruimte	18
7.2. Vermogen van de saunaoven	19
7.3. Blakeren van de saunawanden	19
7.4. Ventilatie van de saunaruimte.....	19
7.5. Hygiëne saunaruimte	20
8. GEBRUIKSAANWIJZING	20
8.1. De saunakachel gebruiken.....	20
8.2. Water gooien.....	21
8.3. Vereisten voor waterkwaliteit.....	21
8.4. Badinstructies.....	21
9. REGELMATIG CONTROLE EN ONDERHOUD	22
9.1. Saunakachelstenen	22
9.2. Probleemoplossing.....	22
9.3. Verwarmingselementen vervangen.....	23
10. RESERVEONDERDELEN	24
11. GARANTIEVOORWAARDEN	24

1. WAARSCHUWINGEN EN OPMERKINGEN



Lees de waarschuwingen en instructies zorgvuldig door voordat u het apparaat gebruikt.



WAARSCHUWING! Als u deze waarschuwing niet in acht neemt, dan kan dat ernstig of dodelijk letsel tot gevolg hebben.



VOORZICHTIG! Als u deze waarschuwing niet in acht neemt, dan kan dat licht of ernstig letsel tot gevolg hebben.



Niet afdekken!

Installatie

- De saunakachel is ontworpen om de sauna te verwarmen tot de gewenste temperatuur. Gebruik voor andere doeleinden is verboden. De bedieningseenheid is ontworpen om de saunakachel en de saunafuncties te bedienen die bedoeld zijn voor de besturingseenheid. Gebruik voor andere doeleinden is verboden.
- Het apparaat mag alleen worden aangesloten op het elektriciteitsnet door een gekwalificeerde elektricien in overeenstemming met de geldende voorschriften. De persoon die verantwoordelijk is voor de installatie van het apparaat moet de gebruiker de meegeleverde installatie- en bedieningsinstructies en de benodigde training geven voordat hij/zij de installatiewerkzaamheden uitvoert.
- Haal altijd de stekker van het apparaat uit het stopcontact voor het onderhoud!
- Inspecteer het apparaat op zichtbare schade voor installatie en inbedrijfstelling. Gebruik geen beschadigd apparaat.
- Houd u altijd aan de waarden in de gebruiksaanwijzing van het apparaat. Als u hiervan afwijkt, ontstaat er brandgevaar.
- Er mag slechts één elektrische kachel in de saunarimte worden geïnstalleerd, tenzij anders aangegeven in de instructies.
- Het apparaat moet zo geïnstalleerd worden dat de waarschuwingsteksten na installatie goed leesbaar blijven.
- De saunakachel of het apparaat mag niet in een nis in een wand worden ingebouwd, tenzij anders aangegeven in de instructies.
- Als er een veiligheidsrail rond de saunakachel is geïnstalleerd, moeten de veiligheidsafstanden in de handleiding van de kachel in acht worden genomen.

- Als u accessoires voor het apparaat wilt installeren, volg dan altijd de instructies voor elk specifieke accessoire wanneer u ze installeert of gebruikt.
- Zorg voor voldoende ventilatie in de saunaruimte (de lucht moet zes keer per uur worden ververs).
- Zorg ervoor dat het toevoerluchtrooster niet zo geplaatst is dat de luchtstroom de warmtesensor afkoelt (zie de installatie-instructies voor de warmtesensor).
- Als het netsnoer beschadigd is, moet de fabrikant of de onderhoudsvertegenwoordiger of een ander gekwalificeerd persoon deze vervangen om gevaren te voorkomen.
- Het gebruik van een PVC-geïsoleerde kabel als aansluitkabel voor de saunakachel is niet toegestaan, vanwege de thermische kwetsbaarheid ervan.
- Controleer altijd de staat van de aansluitingen van de sauna wanneer u de saunakachel installeert. Wij raden schroefconnectoren aan. Vermijd veerbelaste connectoren!
- Sluit de stroomtoevoer naar de elektrische kachel niet aan via een aardlekschakelaar.
- Als het apparaat wordt gebruikt in een openbare sauna zonder timer, moet het stroomindicatielampje worden geplaatst in de kamer van waaruit het apparaat wordt gebruikt.
- Draag altijd beschermende handschoenen tijdens installatie en onderhoud en bij het toevoegen van saunastenen.
- Bedek de verwarmingselementen volledig met stenen; een gloeiend onbedekt verwarmingselement kan brand veroorzaken!
- Plaats geen voorwerpen of apparaten in of bij de steenkorf van de saunakachel die de hoeveelheid of richting van de luchtstroom door de kachel kunnen veranderen.

Gebruik en baden

- Dit apparaat mag worden gebruikt door kinderen vanaf 8 jaar en door personen met beperkte fysieke, zintuiglijke of mentale vermogens of met een gebrek aan ervaring en kennis, op voorwaarde dat ze onder toezicht staan of instructies hebben gekregen over het veilige gebruik van het apparaat en de risico's begrijpen.
- Kinderen mogen niet met het apparaat spelen. Kinderen mogen het apparaat niet schoonmaken of er onderhoud aan uitvoeren zonder toezicht.
- Pas op met de saunakachel als deze heet is. De stenen en metalen onderdelen van de saunakachel zijn heet genoeg om brandwonden te veroorzaken.

- Controleer altijd of er zich geen voorwerpen op of in de buurt van de saunakachel bevinden, voordat u deze aanzet.
- Zorg voor voldoende ventilatie de eerste paar keer dat de saunakachel wordt opgewarmd, aangezien de saunakachel een geur kan produceren.
- Gooi of giet niet te veel water tegelijk op de saunakachel, want dat kan gloeiendhete spetters veroorzaken.
- Gooi geen water op de saunakachel als er iemand in de buurt is.
- Gebruik geen pollepel met een inhoud van meer dan 0,2 liter.
- Gebruik geen ander soort water dan aangegeven in de handleiding van de saunakachel.
- Als u geurstoffen voor de sauna in het water gebruikt, gebruik dan alleen geurstoffen die bedoeld zijn voor saunawater en volg de bijbehorende gebruiksaanwijzing.
- Langdurig verblijf in een hete sauna verhoogt de lichaamstemperatuur, wat gevaarlijk kan zijn.
- Houd kinderen uit de buurt van de saunakachel.
- Laat kinderen, personen met beperkte mobiliteit, zieke of anderszins kwetsbare personen niet alleen in de sauna.
- Raadpleeg een arts als u gezondheidsbeperkingen hebt in verband met saunagebruik.
- Wees voorzichtig bij het bewegen in de sauna, want de saunabanken of vloeren kunnen glad zijn.
- Ga niet in een hete sauna als u onder invloed bent van alcohol, medicijnen, verdovende middelen of andere bedwelmende middelen.
- Slaap niet in een verwarmde sauna.
- Een zeeklimaat en andere vochtige klimaten kunnen de metalen oppervlakken van de saunakachel aantasten.
- Gebruik de sauna vanwege het brandgevaar niet als droogruimte voor wasgoed. Hoge luchtvochtigheid kan elektrische apparaten beschadigen.
- Reset de oververhittingsbeveiliging niet door op de resetknop te drukken voordat de oorzaak van het uitschakelen ervan is vastgesteld. De oververhittingsbeveiliging mag alleen worden gereset door een gekwalificeerde onderhoudstechnicus, tenzij anders vermeld in de instructies.
- Controleer na afloop van de inschakeltijd of de saunakachel definitief uitgeschakeld en gestopt is met verwarmen.
- Hete steenslag die van de saunakachel valt, kan de vloer beschadigen en brand veroorzaken.

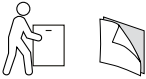
- In openbare sauna's waar de saunakachel wordt gebruikt zonder timer of continu voor langere periodes dan de in de fabriek ingestelde timer op de saunakachel of besturingsunit toestaat, moet het apparaat continu worden bewaakt.
- De saunaruumte en de omgeving rond de saunakachel moeten altijd worden geïnspecteerd voordat de saunakachel weer wordt aangezet of op afstand wordt aangezet.
- De saunaruumte en de omgeving rond de saunakachel moeten altijd geïnspecteerd worden voordat het apparaat in de stand-bymodus wordt gezet voor afstandsbediening of vooraf ingestelde werking.
- Volgens de productnorm IEC/EN 60335-2-53 voor elektrisch verwarmde saunakachels mogen bedieningseenheden met een startfunctie op afstand gebruikt worden om de saunakachel te bedienen en te regelen als er een geschikt uitschakelmechanisme voor de veiligheid (deur of veiligheidsschakelaar) op de saunakachel of saunadeur geïnstalleerd is.

Onderhoud

- Alle onderhoudswerkzaamheden die speciale vaardigheden vereisen, moeten worden uitgevoerd door een getrainde professional.
- Veeg de saunakachel af en toe met een vochtige doek af om stof en vuil te verwijderen. Gebruik indien nodig milde schoonmaakmiddelen. Gebruik geen stromend water bij het schoonmaken.
- Zorg ervoor dat het apparaat volledig is afgekoeld, voordat u begint met schoonmaken.
- Rangschik de stenen opnieuw of vervang kapotte stenen minstens elk jaar.

2. VOORAFGAAND AAN DE INSTALLATIE

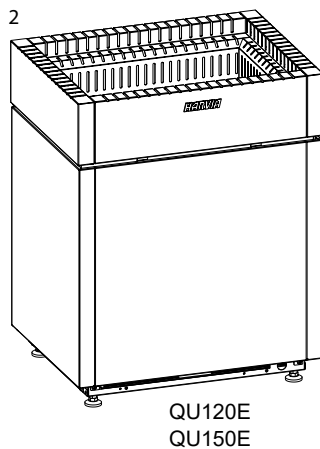
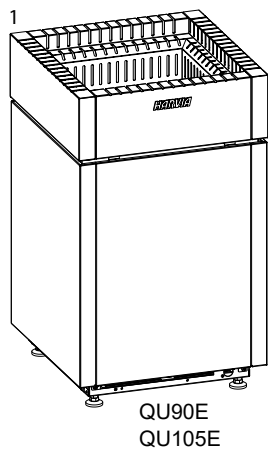
- **De saunakachel mag alleen rechtop worden vervoerd.**
- **De saunakachel kan worden opgetild en verplaatst door deze aan de buitenmantel te ondersteunen.**
- **Verwijder de beschermfolie van de saunakachel vóór gebruik.**



Checklist voor installatie van de saunakachel

- Controleer of de saunakachel intact is. Gebruik de saunakachel niet als deze defect is. Meld eventuele transportschade aan de leverancier.
- De saunakachel is qua vermogen en type geschikt voor de saunarimte in kwestie. De volumewaarden van de sauna mogen niet worden over- of onderschreden. (5. Technische informatie) (7.2. Vermogen van de saunaoven)
- De voedingsspanning is geschikt voor de saunakachel.
- De plaats waar de saunakachel wordt geïnstalleerd voldoet aan de minimale veiligheidsafstanden (6.1. Veiligheidsafstanden)
- De plaats van de temperatuursensor/oververhittingsbeveiliging is afhankelijk van de saunakachel. Zorg ervoor dat de sensor geïnstalleerd is volgens de instructies.
- Zorg ervoor dat de saunakachelstenen volgens de instructies worden geladen.
- Als er accessoires moeten worden geïnstalleerd, volg dan de productspecifieke instructies voor installatie en gebruik.
- Zorg ervoor dat de besturingsunit compatibel is met de saunakachel. U kunt de compatibiliteit van de nieuwste modellen besturingsunits controleren op Harvia.com
- Bewaar deze handleiding voor toekomstig gebruik.

3. LEVERINGSOMVANG

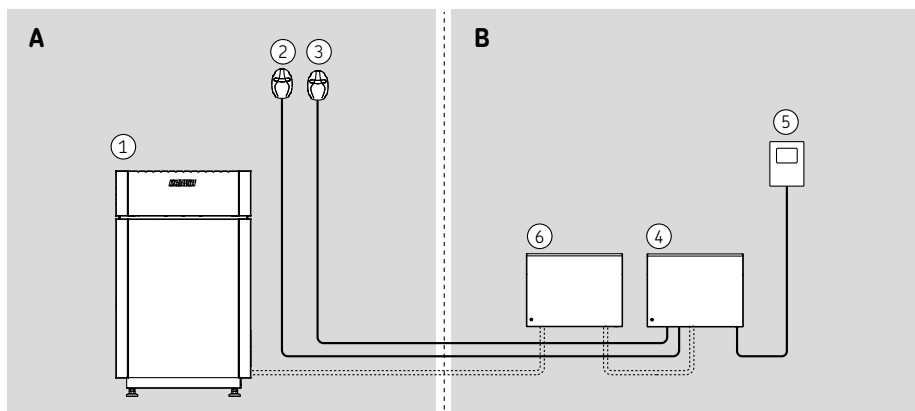


1. Saunakachel

2. Instructies voor installatie en gebruik

NL

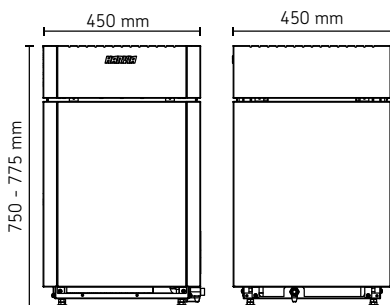
4. VOORBEELD VAN EEN INSTALLATIEPAKKET



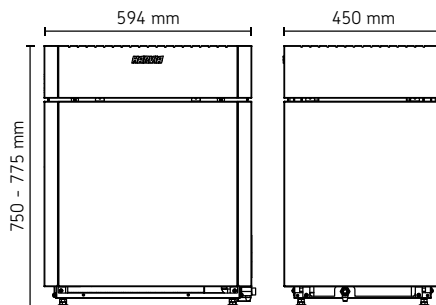
A. Saunaroomte	B. Droge ruimte
1. Saunakachel	4. Bestuursunit
2. Temperatuursensor	5. Bedieningspaneel
3. Banksensor	6. Powerboost (optional. Moet gebruiken indien 2 groepen of meer dan 11 kW)

5. TECHNISCHE INFORMATIE

QU90E, QU105E



QU120E, QU150E






INSTALLATIEGEGEVENS				
	QU90E	QU105E	QU120E	QU150E
Vermogen (kW) saunakachel	9	10.5	12	15
Bedrijfsspanningen	400 V 3N- 230 V 1N-	400 V 3N- 230 V 1N-	400 V 3N-	400 V 3N-
Elektrische groepen	1 groep	1 groep	2 groepen	2 groepen
Frequentie (Hz)	50 / 60	50 / 60	50 / 60	50 / 60
Stroomkabel	5 x 2.5 mm ²	5 x 2.5 mm ²	5 x 2.5 mm ²	5 x 2.5 mm ²
Type aansluitkabel	H07RN-F of gelijkwaardig	H07RN-F of gelijkwaardig	H07RN-F of gelijkwaardig	H07RN-F of gelijkwaardig
Beschermingsklasse	IPX4	IPX4	IPX4	IPX4
Opslagtemperatuur	0-50°C	0-50°C	0-50°C	0-50°C
STENEN				
	QU90E	QU105E	QU120E	QU150E
Grootte van stenen (cm)	Ø 5-10	Ø 5-10	Ø 5-10	Ø 5-10
Hoeveelheid stenen (max. kg)	25	25	40	40
AFMETINGEN				
	QU90E	QU105E	QU120E	QU150E
Hoogte (mm)	750 - 775	750 - 775	750 - 775	750 - 775
Breedte (mm)	450	450	594	594
Diepte (mm)	450	450	450	450
Gewicht (kg)	34	34	40	40

SAUNARUIMTE				
	QU90E	QU105E	QU120E	QU150E
Volume van de ruimte (m³)	9-14	10-15	14-18	18-25
Minimumhoogte sauna (mm)	1900	1900	1900	1900
ERKENDE ACCESSOIRES				
	QU90E	QU105E	QU120E	QU150E
Veiligheidsrail	QUBE-L5 QUBE-W5	QUBE-L5 QUBE-W5	QUBE-L6 QUBE-W6	QUBE-L6 QUBE-W6
SFE-veiligheidsapparaten	SFE-500500	SFE-500500	SFE-500500	SFE-500500
GESCHIKTE BESTURINGSUNITS				
	QU90E	QU105E	QU120E	QU150E
Bekijk de nieuwste modellen besturingsunits op onze website harvia.com	FX110 CX110 C105VKK Pro B2 Pro C2 Pro D2 Pro D2i	FX110 CX110 C105VKK Pro B2 Pro C2 Pro D2 Pro D2i	FX170 CX170 C105VKK *) Pro B2 *) Pro C2 *) Pro D2 *) Pro D2i *)	FX170 CX170 C105VKK *) Pro B2 *) Pro C2 *) Pro D2 *) Pro D2i *)
POWERBOOST *)				
	QU90E	QU105E	QU120E	QU150E
Bekijk de nieuwste powerboost-modellen op onze website harvia.com	LTY17 0-S2-18 0-S2-18S	LTY17 0-S2-18 0-S2-18S	LTY17 0-S2-18 0-S2-18S	LTY17 0-S2-18 0-S2-18S
*) optional. Moet gebruiken indien 2 groepen of meer dan 11 kW				

Tabel 1. Technische informatie

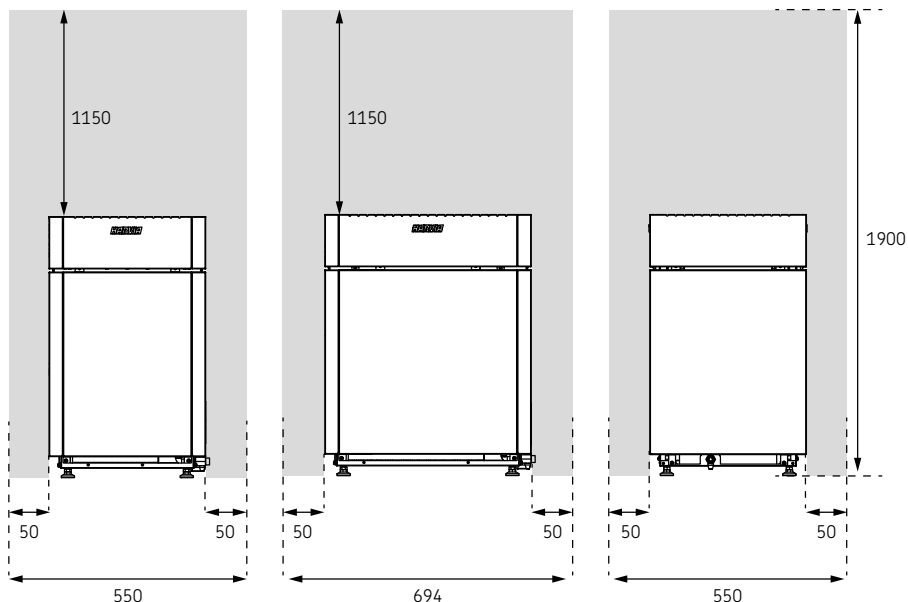
6. INSTALLATIE-INSTRUCTIES

-  Houd u altijd aan de waarden in de gebruiksaanwijzing van het apparaat. Als u hiervan afwijkt, ontstaat er brandgevaar.
-  Er mag slechts één elektrische kachel in de saunarimte worden geïnstalleerd, tenzij anders vermeld in de instructies.
-  Het apparaat moet zo geïnstalleerd worden dat de waarschuwingsteksten na installatie goed leesbaar blijven.

6.1. Veiligheidsafstanden

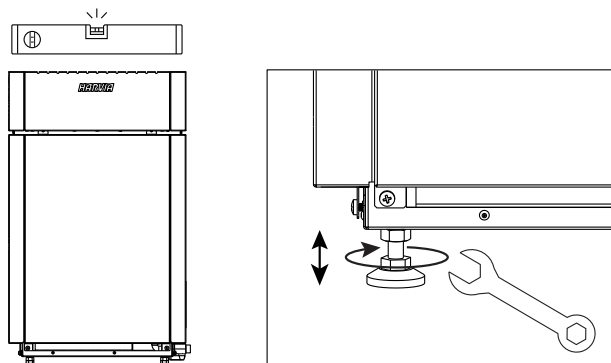
- De minimale veiligheidsafstanden tot brandbaar materiaal worden weergegeven in figuur (Figuur 1. Veiligheidsafstanden).
- Als er een veiligheidsrail rondom de saunakachel is geïnstalleerd, moeten de veiligheidsafstanden in acht worden genomen die in figuur (Figuur 1. Veiligheidsafstanden) of in de installatiehandleiding van de veiligheidsrail zijn aangegeven.

(min. mm)



Figuur 1. Veiligheidsafstanden

6.2. Installatie saunakachel



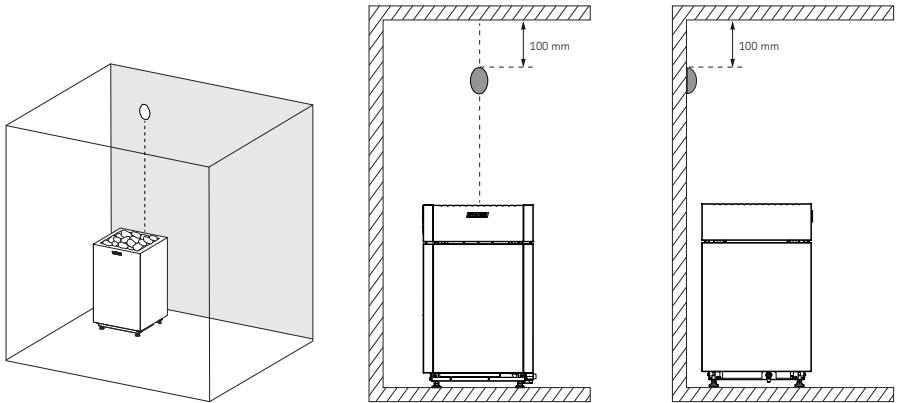
Figuur 2. Installatie saunakachel

6.3. De besturingsunit en sensoren installeren



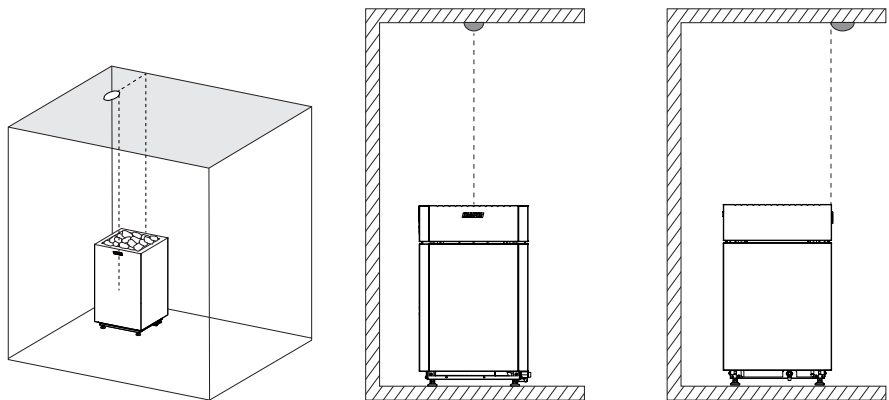
Zorg ervoor dat het toevoerluostrooster niet zo geplaatst is dat de luchtstroom de warmtesensor afkoelt.

- De besturingsunit wordt geleverd met gedetailleerde instructies voor montage aan de muur.
- Installeer de warmtesensor zoals afgebeeld. Als de saunakachel meer dan 150 mm van de muur wordt geïnstalleerd, moet de sensor aan het plafond worden bevestigd.



NL

Figuur 3a. De warmtesensor op de muur installeren



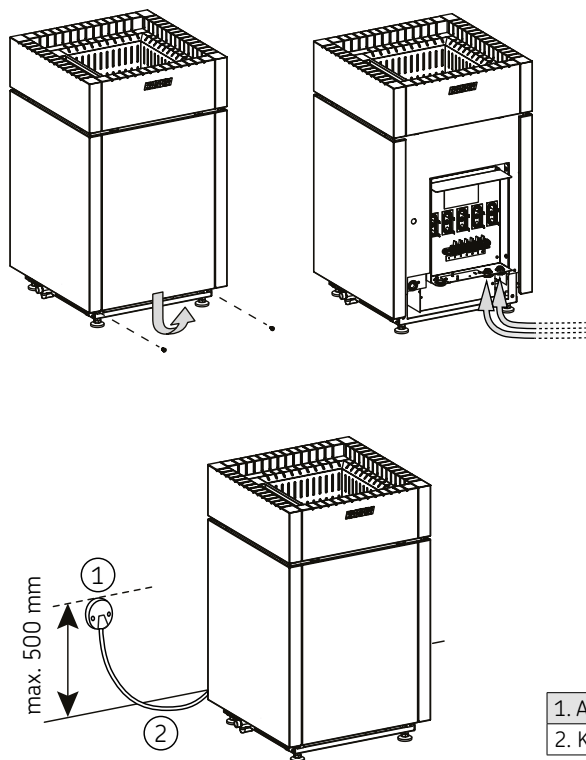
Figuur 3b. De warmtesensor op het plafond installeren

6.4. Elektrische aansluitingen

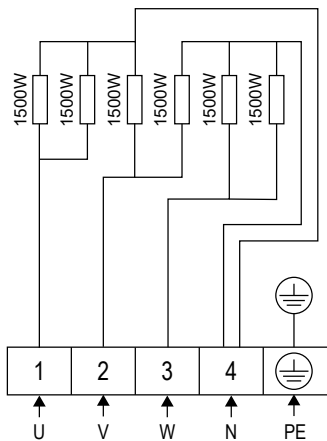


De saunakachel mag alleen worden aangesloten op het elektriciteitsnet door een gekwalificeerde elektricien in overeenstemming met de geldende voorschriften.

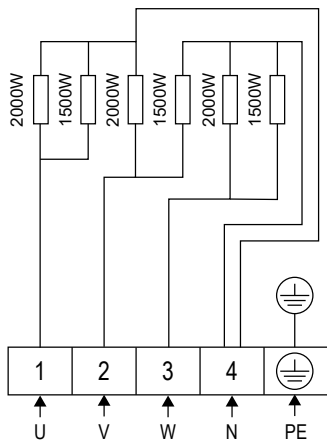
- De saunakachel wordt semi-vast aangesloten op de aansluitdoos op de saunawand. De aansluitdoos moet spatwaterdicht zijn en mag zich niet meer dan 500 mm boven de vloer bevinden.
- De aansluitkabel moet van het rubberen kabeltype H07RN-F of gelijkwaardig zijn. LET OP: Het gebruik van een PVC-geïsoleerde kabel als aansluitkabel voor de saunakachel is niet toegestaan, vanwege de thermische kwetsbaarheid ervan.
- Als de aansluit- of installatiekabels in de sauna of in de saunawanden worden geplaatst op een hoogte van meer dan 1.000 mm boven de vloer, moeten ze onder belasting een temperatuur van ten minste 170 °C kunnen weerstaan (bijv. kabels met een siliconenmantel). Elektrische apparatuur die meer dan 1.000 mm boven de saunavloer is geïnstalleerd, moet zijn goedgekeurd voor gebruik bij een omgevingstemperatuur van 125 °C (gemarkeerd met T125).



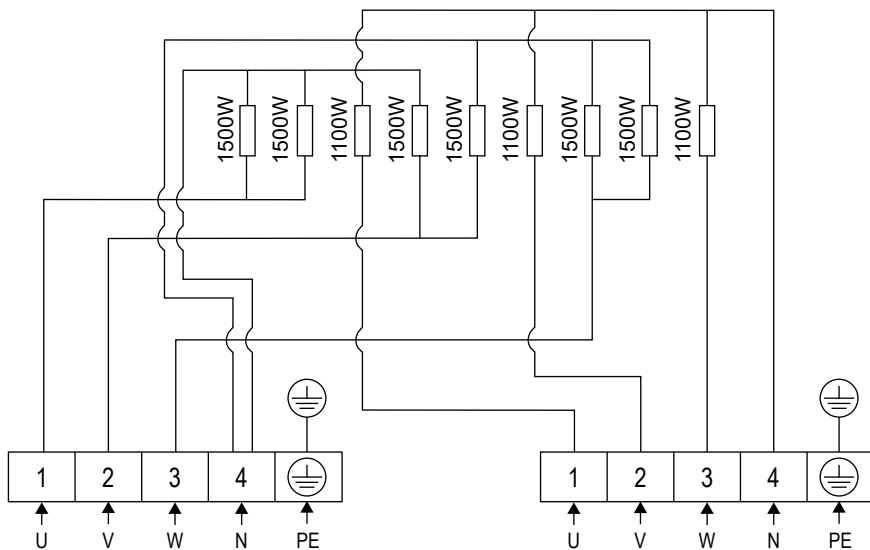
Figuur 4. Elektrische aansluitingen



Figuur 5. Aansluitschema QU90E



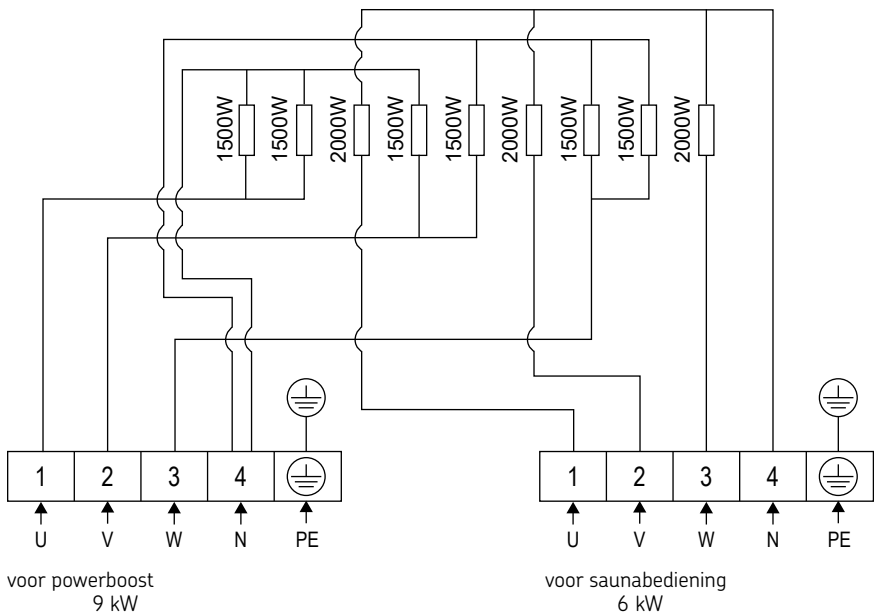
Figuur 6. Aansluitschema QU105E



voor powerboost
9 kW

voor saunabediening
3.3 kW

Figuur 7. Aansluitschema QU120E



Figuur 8. Aansluitschema QU150E

6.5. Isolatieweerstand van de elektrische saunakachel



Sluit de stroomtoevoer naar de elektrische kachel niet aan via een aardlekschakelaar!

Bij de eindcontrole van de elektrische installaties kan de isolatieweerstandsmeting van de saunakachel 'lekkage' vertonen doordat vocht in de lucht is opgenomen (tijdens opslag/transport) in het isolatiemateriaal van de verwarmingselementen. Vocht kan na een paar verwarmingscycli van de verwarmingselementen worden verwijderd.

6.6. Saunastenen plaatsen



Saunakachelstenen zijn belangrijk voor het veilige gebruik van de saunakachel. Met het oog op de garantie is de gebruiker verantwoordelijk voor het correcte onderhoud van de steenkorf, overeenkomstig de specificaties en de gebruiksaanwijzing.



Plaats geen voorwerpen of apparaten in de steenkorf of in de buurt daarvan, die invloed kunnen hebben op de hoeveelheid of richting van de lucht die door de saunakachel stroomt.

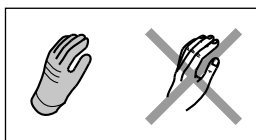


Als een verwarmingselement niet is omgeven door stenen, kan het materialen verwarmen tot een gevaarlijke temperatuur, zelfs als ze zich buiten de veiligheidsafstanden van de oven bevinden. Zorg ervoor dat de verwarmingselementen niet zichtbaar zijn tussen de stenen door. Als gebruiker bent u ervoor verantwoordelijk dat de steenkorf goed wordt onderhouden gedurende de hele levenscyclus van de saunakachel.

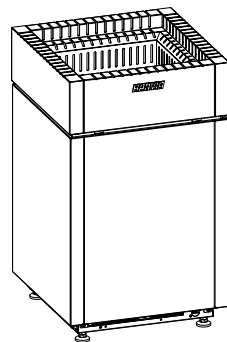
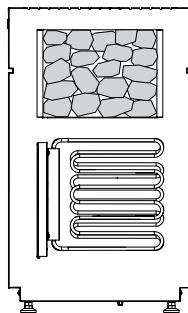
Belangrijke informatie over geschikte saunastenen:

- De geschikte materialen voor saunastenen zijn peridotiet, olivijn-diabaas, olivijn en vulcaniet.
- Gebruik alleen gekloven en/of afgeronde stenen voor uw saunakachel.
- Indien de verwarmingselementen van een elektrische saunakachel in contact komen met de stenen, mogen alleen afgeronde stenen gebruikt worden in de buitenste steenkorf, om te voorkomen dat ze in contact komen met de verwarmingselementen.
- Keramische en decoratieve stenen mogen alleen gebruikt worden, mits goedgekeurd en gebruikt volgens de aanwijzingen van de fabrikant.
- Let op: decoratieve stenen zijn alleen geschikt voor de bovenste laag van de steenkorf. Decoratieve stenen moeten voldoende ruim geplaatst worden om een toereikende luchtcirculatie te verkrijgen. Plaats decoratieve stenen zo dat ze niet in aanraking komen met de verwarmingselementen van een elektrische saunakachel.
- De garantie omvat geen defecten die veroorzaakt zijn door het gebruik van decoratieve stenen of saunastenen die niet door de fabrikant worden aanbevolen.
- Spoel eventueel steenstof van de stenen af voordat u ze in de kachel plaatst.

NL



	QU90E QU105E	QU120E, QU150E
	Ø 5-10 cm	Ø 5-10 cm
	25 kg	40 kg



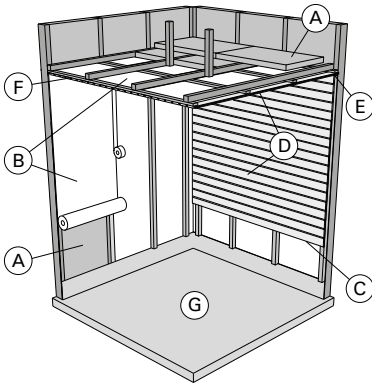
Figuur 8. Saunastenen plaatsen

Houd bij het plaatsen van de stenen rekening met het volgende:

- Begin met de grootste stenen en plaats ze onderaan en aan de zijkanten. Dit zorgt voor voldoende luchtventilatie en vormt een stevige basis voor de steenkorf.
- Plaats de stenen één voor één. Laat ze niet in de steenkorf vallen.
- Stapel geen stenen bovenop de kachel. De stenen mogen tot aan de luchtkanalen van de oven komen. Als er teveel stenen in de oven geplaatst worden, vermindert dit de ventilatie en werkt de oven minder goed.
- We raden aan om wat extra stenen in voorraad te houden om kapotte stenen te vervangen, of om ze toe te voegen als het steenniveau na verloop van tijd lager wordt.

7. DE SAUNARUIMTE

7.1. Constructie van saunaruimte



- A. Isolatiewol, dikte 50–100 mm. De saunaruimte moet zorgvuldig geïsoleerd worden, zodat de warmtelevering van de oven beperkt kan worden gehouden.
- B. Beveiliging tegen vocht, bijv. met aluminiumfolie. Plaats de folie met de gladde kant naar de sauna gericht. Plak de naden dicht met aluminiumtape.
- C. Ventilatiegat van ongeveer 10 mm tussen de vochtbescherming en het paneel (aanbevolen).
- D. Lichtgewicht paneel van 12–16 mm dikte. Controleer vóór het aanbrengen van de panelen de elektrische bedrading en de verstevigingen in de wanden die nodig zijn voor de oven en de banken.
- E. Ventilatiegat van ongeveer 3 mm tussen de wand en het plafondpaneel.
- F. De hoogte van de sauna is meestal 2100–2300 mm. De minimale hoogte is afhankelijk van de oven. De ruimte tussen de bovenste bank en het plafond mag niet groter zijn dan 1200 mm. (> Technische gegevens)
- G. Gebruik vloermaterialen van keramische materialen en donkere voegspecie. Deeltjes die losraken van de saunastenen en onzuiverheden in het saunawater kunnen vlekken maken en gevoelige vloerbedekking beschadigen.

N.B.! Vraag bevoegde instanties welke delen van de brandwerende wand geïsoleerd mogen worden. Rookkanalen die in gebruik zijn mogen niet geïsoleerd worden.

N.B.! Weinig bescherming biedende kappen die rechtstreeks tegen de wand of het plafond zijn bevestigd kunnen brandgevaarlijk zijn.

7.2. Vermogen van de saunaoven

Indien de wanden en het plafond bedekt zijn met panelen, en de isolatie achter de panelen voldoende is om te voorkomen dat de wanden teveel warmte opnemen, dan wordt het vermogen van de saunaoven bepaald door de kubieke inhoud van de sauna. Niet-geïsoleerde wanden (steen, glasblokken, glas, beton, tegels enz.) doen de behoefte aan warmtelevering toenemen. Voeg 1,2 m³ aan de inhoud van de sauna toe voor elke vierkante meter niet-geïsoleerde wand of plafond. Een saunarimte van 10 m³ met een glazen deur vereist bijvoorbeeld evenveel warmtelevering als een saunarimte van ongeveer 12 m³. Als de saunarimte wanden van houtblokken heeft, vermenigvuldigt de inhoud dan met 1,5. (5. Technische informatie)

7.3. Blakeren van de saunawanden

Het is normaal dat houten oppervlakken van de saunarimte na verloop van tijd geblakerd raken. Dit kan sneller plaatsvinden door:

- zonlicht
- hitte van de oven
- beveiligingsmiddelen op de wanden (beveiligingsmiddelen zijn weinig hittebestendig)
- fijne stofdeeltjes die loskomen van de saunastenen en die opstijgen met de warme luchtstroom.

7.4. Ventilatie van de saunarimte

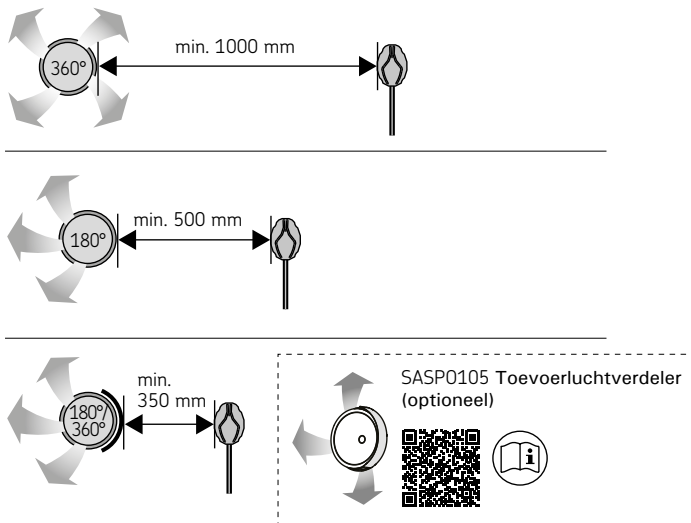


De temperatuursensor moet altijd op de aangegeven plaats worden geïnstalleerd. Als de minimale afstand tot de luchttoevoerklep niet wordt aangehouden, moet de ventilatie worden aangepast!



Plaats de luchttoevoerklep zo, dat de luchtstroom de temperatuursensor niet afkoelt.

- De lucht in de saunarimte moet zes keer per uur ververs worden.
- **Mechanische ventilatie:** De luchttoevoerklep moet zich in het bovenste deel van de sauna bevinden, zodat de luchtstroom de werking van de temperatuursensor niet hindert. (Figuur 9. Minimale afstand van de luchttoevoerklep tot de temperatuursensor.)
- **Drukventilatie:** De luchttoevoerklep moet onder of naast de saunakachel geïnstalleerd worden. De diameter van de luchttoevoerklep moet tussen 50 mm en 100 mm bedragen.
- Luchtafvoerklep. Plaats de luchtafvoerklep in de buurt van de vloer, zo ver mogelijk bij de saunakachel vandaan. De diameter van de luchtafvoerklep moet twee keer zo groot zijn als de diameter van de luchttoevoerklep.
- Optionele ontluchtingsklep om te drogen (gesloten tijdens opwarmen en baden). De sauna kan ook worden gedroogd door de deur na gebruik van de sauna open te laten.
- Als de luchtafvoerklep zich in de wasruimte bevindt, moet de klep onder de saunadeur minstens 100 mm zijn. Mechanische afzuiging is verplicht.



Figuur 10. Minimale afstand van de luchttoevoerlep tot de temperatuursensor.

NL

7.5. Hygiëne saunaruumte

- Op de banken dienen tijdens het baden handdoeken te worden gebruikt om te voorkomen dat zweet op de banken terecht komt.
- De saunaruumte moet minstens eenmaal per half jaar grondig worden schoongemaakt. Borstel de wanden, platforms en vloer met behulp van een natte borstel en een saunareiniger.
- Verwijder kalkvlekken van de oven met een oplossing van 10 % citroenzuur en door wrijven.

8. GEBRUIKSAANWIJZING

8.1. De saunakachel gebruiken



Controleer altijd of er zich geen voorwerpen op of in de buurt van de saunakachel bevinden, voordat u deze aanzet.

- De saunakachel wordt bediend via een aparte besturingsunit. Raadpleeg de gebruiksaanwijzing die bij de besturingsunit wordt geleverd.
- De saunakachel en de stenen geven tijdens het eerste gebruik geuren af, die u alleen kunt verwijderen door de sauna goed te ventileren.
- Als de saunakachel het juiste vermogen heeft voor de sauna, warmt een goed geïsoleerde sauna in ongeveer een uur op tot de bedrijfstemperatuur. De saunakachelstenen warmen meestal even snel op als de saunaruumte.
- Een geschikte temperatuur in de saunacabine is ongeveer 65-80 °C.

8.2. Water gooien



Gebruik geen pollepel met een capaciteit van meer dan 0,2 liter. Als er te veel water in één keer op de saunakachel wordt gegooid of gegoten, kan het kokend heet op de saunagasten spatten.



Om het risico op brandwonden te voorkomen, mag u geen water op de saunakachel gooien als er iemand in de buurt is.

- De lucht in de sauna wordt droog wanneer de sauna wordt verwarmd. Daarom moet de luchtvochtigheid worden verhoogd door water op de saunakachelstenen te gooien.
- Iedereen ervaart de effecten van hitte en vochtigheid op zijn eigen manier – probeer uit wat voor u de juiste temperatuur en vochtigheid is.
- Gooi bij gebruik van de saunakachel alleen water op de stenen.

8.3. Vereisten voor waterkwaliteit

- Het water dat in de sauna wordt gebruikt, moet voldoen aan de kwaliteitseisen voor huishoudelijk water (Tabel 2.).
- Er mogen alleen geuren worden gebruikt die bedoeld zijn voor saunawater. Volg de instructies die bij de geur worden geleverd.

Eigenschappen van water	Effecten	Aanbeveling
Organische onzuiverheden	Kleur, smaak, neerslag	<12 mg/l
IJzergehalte	Kleur, geur, smaak, neerslag	<0,2 mg/l
Mangaangehalte (Mn)	Kleur, geur, smaak, neerslag	<0,10 mg/l
Waterhardheid: de hoofdbestanddelen zijn calcium (Ca) en magnesium (Mg)	Neerslag	Ca: <100 mg/l Mg: <100 mg/l
Chloorhoudend water	Corrosie	Cl: <100 mg/l
Gechloreerd water	Gezondheidsrisico	Gebruik verboden
Zeewater	Snelle corrosie	Gebruik verboden
Arsen- en radonconcentraties	Gezondheidsrisico	Gebruik verboden

NL

Tabel 2.

8.4. Badinstructies

- Begin uw saunabezoek met uzelf te wassen.
- Ga zo lang in de sauna zitten als u prettig vindt.
- Kom tot rust en ontspan uw geest.
- Goede saunagebruiken houden in dat u rekening houdt met andere saunagebruikers zonder hen te storen met luidruchtig gedrag.
- Verjaag anderen niet van de banken door overmatig water te gooien.
- Koel uw huid af. Als u gezond bent, kunt u lekker zwemmen terwijl u afkoelt.
- Sluit uw saunabezoek af door u te wassen.
- Rust uit en kom tot rust. Geniet van een verfrissend drankje om uw vochtbalans te herstellen.

9. REGELMATIG CONTROLE EN ONDERHOUD



Alle onderhoudswerkzaamheden die speciale vaardigheden vereisen, moeten worden uitgevoerd door een getrainde professional.

9.1. Saunakachelstenen

- Door de intense thermische cycli zullen de saunakachelstenen tijdens het gebruik geleidelijk verslechteren en afbrokkelen. Vervang de stenen minstens één keer per jaar, of vaker als de sauna erg vaak wordt gebruikt.
- Verwijder tegelijkertijd alle opgehoopte steenresten en vervang eventuele gebroken stenen. Zo blijven de stoom eigenschappen van de saunakachel behouden en is er geen risico op oververhitting.
- Controleer af en toe of het steenniveau lager is geworden. Zorg ervoor dat de verwarmingselementen niet zichtbaar worden na verloop van tijd. Ongeveer twee maanden na het plaatsen van de stenen zal het steenniveau waarschijnlijk lager worden.

9.2. Probleemoplossing

De saunakachel warmt niet op

- Controleer of de zekeringen van de saunakachel in het elektrische paneel intact zijn.
- Controleer of de aansluitkabel van de saunakachel in het stopcontact zit.
- Controleer of de oververhittingsbeveiliging niet geactiveerd is (zie de installatiehandleiding van de besturingsunit).

De saunaruimte warmt langzaam op. Water dat op de saunakachel wordt gegooid, koelt de stenen snel af

- Controleer of de zekeringen van de saunakachel in het elektrische paneel intact zijn.
- Controleer of alle verwarmingselementen gloeien als de saunakachel aan staat.
- Stel de temperatuur hoger in (zie de installatiehandleiding van de besturingsunit).
- Controleer of het vermogen van de saunakachel niet te laag is.
- Controleer of de ventilatie in de saunaruimte goed is ingesteld.

De saunacabine warmt snel op, maar de stenen hebben geen tijd om op te warmen. Water dat op de saunakachel wordt gegooid verdampt niet, maar stroomt door de steenkorf

- Controleer of het vermogen van de saunakachel niet te hoog is.
- Controleer of de ventilatie in de saunaruimte goed is ingesteld.

Panelen of ander materiaal in de buurt van de saunakachel verkleuren snel

- Zorg ervoor dat aan de eisen voor de veiligheidsafstand wordt voldaan.
- Zorg ervoor dat de verwarmingselementen niet zichtbaar zijn tussen de stenen door. Als ze zichtbaar zijn, stapel de stenen dan opnieuw en zorg ervoor dat de verwarmingselementen volledig bedekt zijn.
- Zie ook punt (7.3. Blakeren van de saunawanden).

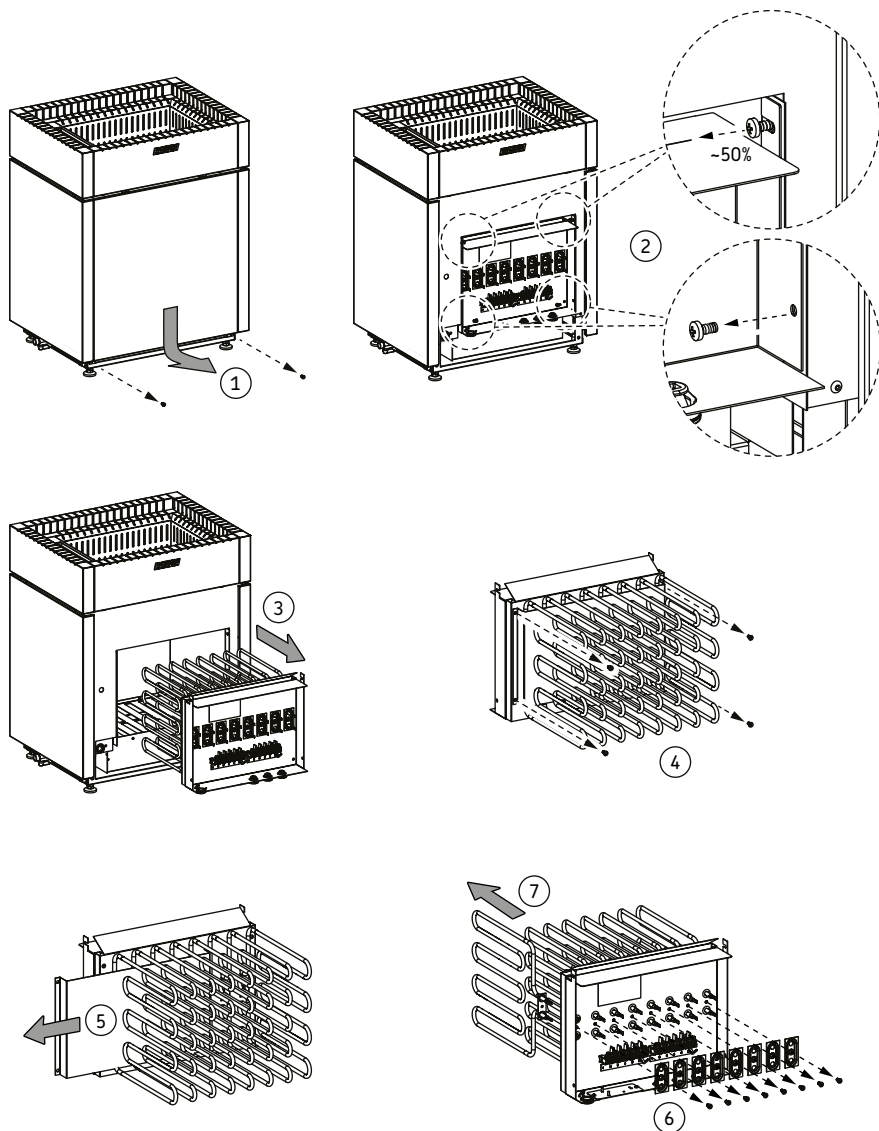
De saunakachel verspreidt een geur

- Zie punt (8.1. De saunakachel gebruiken)
- Een hete saunakachel kan geuren in de lucht versterken, maar de sauna of de saunakachel verspreiden zelf geen geuren. Voorbeelden: verf, lijm, stookolie en specerijen.

De saunakachel maakt geluid

- Het incidenteel knallen komt doorgaans door stenen die barsten onder invloed van de hitte.
- De thermische uitzetting van de onderdelen van de saunakachel kan geluid veroorzaken wanneer de saunakachel opwarmt.

9.3. Verwarmingselementen vervangen



Figuur 11. Verwarmingselementen vervangen

10. RESERVEONDERDELEN

spareparts.harvia.com



11. GARANTIEVOORWAARDEN

www.harvia.com



NL

Harvia Qube

Sähkökuuas

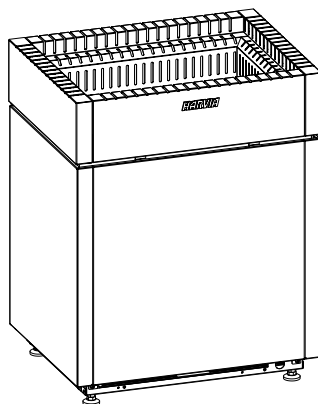
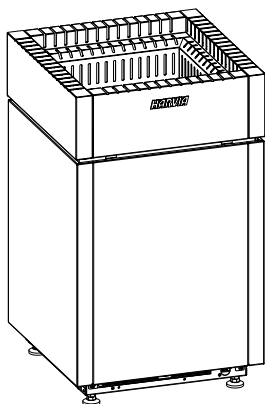
Asennus- ja käyttöohje

HARVIA

Sauna & Spa

Let's sauna.

Itm.nr.	Type	Power
HQU904M	QU90E	9 kW
HQU1054M	QU105E	10.5 kW
HQU1204M	QU120E	12 kW
HQU1504M	QU150E	15 kW



FI



Parhaat onnitelut hyvästä kiuasvalinnasta!

Harvia-kiuas toimii parhaiten ja palvelee teitä pitkään, kun sitä käytetään ja huolletaan tässä ohjeessa esitetyllä tavalla. Lue ohje ennen kuin asennat tai käytät kiuasta. Säilytä ohje myöhempiä tarvetta varten. Asennus- ja käyttöohjeet löydät myös osoitteesta www.harvia.com

SISÄLLYSLUETTELO

1. VAROITUKSET JA HUOMIOT	3
2. ENNEN ASENTAMISTA	7
3. TOIMITUKSEN SISÄLTÖ	8
4. ESIMERKKI ASENNUSKOKONAISUUDESTA.....	8
5. TEKNISET TIEDOT	9
6. ASENNUSOHJEET	11
6.1. Suojaetäisyydet	11
6.2. Kiukaan asennus	12
6.3. Ohjauskeskuksen ja antureiden asentaminen.....	13
6.4. Sähkökytkennät	14
6.5. Sähkökiukaan erityisresistanssi.....	16
6.6. Kiuaskivien latominen.....	17
7. SAUNAHUONE	18
7.1. Saunahuoneen rakenne.....	18
7.2. Kiuasteho.....	18
7.3. Saunan seinien tummuminen.....	18
7.4. Saunahuoneen ilmanvaihto.....	19
7.5. Saunahuoneen hygienia.....	19
8. KÄYTTÖOHJEET	20
8.1. Kiukaan käyttö.....	20
8.2. Löylynheitto.....	20
8.3. Veden laatuvaatimukset	21
8.4. Saunomisohjeita.....	21
9. YLLÄPITO JA HUOLTO	21
9.1. Kiuaskivet	21
9.2. Vianetsintä.....	22
9.3. Vastusten vaihtaminen	23
10. VARAOSAT	24
11. TAKUUEHDOT	24

1. VAROITUKSET JA HUOMIOT



Lue huolellisesti varoitukset ja käyttöohje ennen kuin käytät laitetta!



VAROITUS! Jos tätä varoitusta ei noudateta, seurauksena voi olla kuolema tai vakava loukkaantuminen.



HUOMIO! Jos tätä varoitusta ei noudateta, seurauksena voi olla lievä tai vakava loukkaantuminen.



Ei saa peittää!

Asennus

- Kiuas on tarkoitettu lämmittämään saunahuone saunomislämpötilaan. Muuhun tarkoitukseen käyttö on kielletty! Ohjauskeskus on tarkoitettu kiukaan ja ohjauskeskukselle tarkoitettujen saunan toimintojen ohjaukseen. Muuhun tarkoitukseen käyttö on kielletty!
- Laitteen saa liittää sähköverkkoon vain siihen oikeutettu ammattitaitoinen sähköasentaja voimassa olevien määräysten mukaan. Laitteen asennuksesta vastaavan on annettava sen mukana tuleva asennus- ja käyttöohje, sekä tarvittava käyttökoulutus käyttäjälle ennen asennustyön luovuttamista.
- Kytke laite pois sähköverkosta aina ennen huoltotoimenpiteitä!
- Tarkasta laite näkyvien vaurioiden varalta ennen laitteen asennusta ja käyttöönottoa. Älä käytä vaurioitunutta laitetta.
- Laitteen käyttöohjeessa ilmoitettuja arvoja on noudatettava, koska niistä poikkeaminen aiheuttaa palovaaran.
- Saunaan saa asentaa ainoastaan yhden sähkökiukaan, ellei käyttöohjeessa toisin mainita.
- Laite on asennettava niin, että varoitustekstit ovat helposti luettavissa asennuksen jälkeen.
- Kiuasta tai laitetta ei saa asentaa seinäsyvennykseen, ellei käyttöohjeessa toisin mainita.
- Jos kiukaan ympärille tehdään suojakaide, on noudatettava kiukaan käyttöohjeessa ilmoitettuja suojaetäisyyksiä.
- Jos laitteeseen asennetaan siihen soveltuvia lisätarvikkeita, noudata lisätarvikkekohtaisia käyttö- ja asennusohjeita!
- Varmista saunahuoneen riittävä ilmanvaihto (Ilman tulisi vaihtua kuusi kertaa tunnissa).
- Älä sijoita tuloilmaventtiiliä siten, että ilmavirta viilentää lämpöanturia (ks. lämpöanturin asennusohje!)

- Jos verkkoliitäntäjohto vaurioituu, on valmistajan huoltoedustajan tai vastaavan pätevän henkilön vaihdettava se vaaran välttämiseksi.
- PVC-eristeisen johdon käyttö kiukaan liitäntäkaapelina on kielletty sen lämpöhaurauden takia.
- Tarkasta saunan kytkentärasian liittimien kunto aina kiukaan asennamisen yhteydessä. Suosittelemme ruuviliittimiä. Vältä jousikuoritteisia liittimiä!
- Älä kytke sähkökiukaan tehonsyöttöä vikavirtasuojakytkimen kautta.
- Mikäli laitetta käytetään yleisissä saunoissa ilman ajastinta, tulee laitteen päällä olosta kertova merkkivalo sijoittaa tilaan, josta laitetta käytetään.
- Käytä aina suojahansikkaita asennuksen ja huollon yhteydessä sekä kiviä ladottaessa.
- Peitä vastukset kivillä kokonaan, paljaana hehkuva vastus voi aiheuttaa palovaaran!
- Älä laita kiukaan kivitilaan tai sen läheisyyteen mitään sellaisia esineitä tai laitteita, jotka muuttavat kiukaan läpivirtaavan ilman määrää tai suuntaa.

Käyttö ja saunominen

FI

- Tätä laitetta voivat käyttää vähintään 8-vuotiaat lapset ja sellaiset henkilöt, joiden fyysiset, aistinvaraiset tai henkiset ominaisuudet ovat alentuneet tai joilla ei ole kokemusta ja tietoa, jos heitä valvotaan tai heitä on opastettu käyttämään laitetta turvallisesti ja jos he ymmärtävät laitteen käyttöön liittyvät vaarat.
- Lapset eivät saa leikkiä laitteella. Lapset eivät saa puhdistaa laitetta eivätkä he saa tehdä laitteen hoitotoimenpiteitä ilman valvontaa.
- Varo kuumaa kiuasta. Kiukaan kivet ja metalliosat kuumenevat ihoa polttaviksi.
- Tarkista aina ennen kiukaan päälle kytkentää, ettei kiukaan päällä tai lähietäisyydellä ole mitään tavaroita.
- Ensimmäisillä lämmityskerroilla kiuas saattaa tuottaa hajua, varmistu saunahuoneen riittävä tuuletus
- Älä heitä tai kaada kiukaalle liikaa vettä kerralla, kiehuvaa vettä voi roiskua kylpijoiden päälle.
- Älä heitä löylyä silloin, kun joku on kiukaan läheisyydessä.
- Älä käytä löylykauhaa, jonka tilavuus ylittää 0,2 litraa.
- Älä käytä löylyvetenä muunlaista vettä, kuin kiukaan käyttöohjeessa on ilmoitettu.
- Käytä löylyvedessä vain ainoastaan löylyvedeen tarkoitettuja hajuksia niiden käyttöohjeiden mukaisesti.

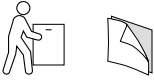
- Pitkäaikainen oleskelu kuumassa saunassa nostaa kehon lämpötilaa, mikä saattaa olla vaarallista.
- Estä lasten pääsy kiukaan läheisyyteen.
- Älä jätä lapsia, liikuntarajoitteisia, sairaita tai heikkokuntoisia saunomaan ilman valvontaa.
- Selvitä saunomiseen liittyvät terveydelliset rajoitteet lääkärin kanssa.
- Liiku saunassa varovasti, koska lauteet ja lattiat saattavat olla liukkaita.
- Älä mene kuumaan saunaan huumaavien aineiden (alkoholi, lääkkeet, huumeet ym.) vaikutuksen alaisena.
- Älä nuku lämmitetyssä saunassa.
- Meri- ja kostea ilmasto saattavat syövyttää kiukaan metallipintoja.
- Älä käytä saunaa vaatteiden tai pyykkien kuivaushuoneena palovaaran vuoksi. Sähkölaitteetkin saattavat vioittua runsaasta kosteudesta.
- Älä palauta ylikuumenemissuojaa palautuspainikkeesta, ennen kuin ylikuumenemissuojan laukeamisen syy on selvitetty. Ylikuumenemissuojan saa palauttaa vain ammattitaitoinen huoltomies, ellei käyttöohjeessa toisin mainita.
- Tarkista, että kiuas on varmasti kytkeytynyt pois päältä ja lopettanut lämmittämisen, kun päälläoloaika on kulunut loppuun.
- Kiukaasta putoavat kuumat kivenpalat saattavat vaurioittaa lattiapäällysteitä ja aiheuttaa palovaaran.
- Yleisissä saunoissa, joissa kiuasta käytetään ilman ajastinta tai yhtäjaksoisesti pidempiä aikoja kuin kiukaan tai ohjauslaitteen ajastin tehdasasetuksilla sallii, tulee laitetta valvoa jatkuvasti.
- Saunahuone ja kiukaan ympäristö tulee tarkastaa aina ennen kuin kiuas kytketään päälle uudelleen tai se kytketään päälle etäohjausjärjestelmällä.
- Saunahuone ja kiukaan ympäristö tulee tarkastaa aina ennen kuin laite saatetaan etäohjauksen tai esiajastetun toiminnan vaatimaan valmiustilaan.
- Sähkölämmitteisiä kiukaita koskevan tuotestandardin IEC/EN 60335-2-53 mukaan etäkäynnistystoiminnolla varustettuja ohjauskeskuksia saa käyttää kiukaan ohjaamiseen ja säätelyyn, kun kiukaaseen tai saunan oveen on asennettu vastaava turvakatkaisu (ovi- tai turvakytkin).

Huolto

- Kaikki erityisosaamista vaativat huoltotoimet on annettava koulutetun ammattilaisen tehtäväksi.
- Pyyhi kiuas aika ajoin pölystä ja liasta kostealla liinalla. Käytä tarvittaessa mietoja puhdistusaineita. Älä käytä juoksevaa vettä puhdistuksen yhteydessä.
- Ennen puhdistuksen aloittamista varmista, että laite on täysin jäähtynyt.
- Lado kivet uudelleen tai vaihda rikkoutuneet kivet uusiin vähintään vuoden välein.

2. ENNEN ASENTAMISTA

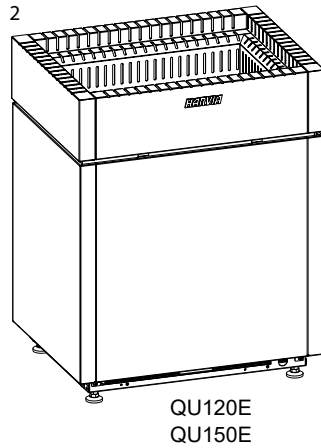
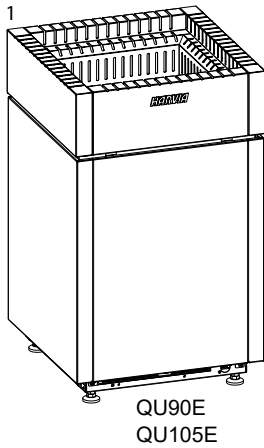
- Kiuasta saa kuljettaa vain pystyasennossa.
- Kiuas voidaan nostaa ja siirtää ulkokuoresta kannattelemalla.
- Poista kiukaan suojakalvot ennen käyttöä



Tarkistuslista kiukaan asentajalle

- Tarkista, että tuote on ehjä. Älä käytä viallista tuotetta. Ilmoita kuljetusvaurioista toimittajalle.
- Kiuas on teholtaan ja tyypiltään sopiva ko. saunahuoneeseen. Saunan tilavuusarvoja ei saa ylittää eikä alittaa (5. Tekniset tiedot) (7.2. Kiuasteho))
- Syöttöjännite on sopiva kiukaalle.
- Kiukaan asennuspaikka täyttää suojaetäisyyksien vähimmäisarvot (6.1. Suojaetäisyydet)
- Lämpötila-anturin/ylikuumentemissuojan sijainti on kiuaskohtainen. Varmista, että anturi on asennettu ohjeiden mukaisesti.
- Varmista, että kiuaskivet on ladottu ohjeistuksen mukaisesti.
- Jos kiukaaseen asennetaan lisätarvikkeita, noudata tuotekohtaisia asennus- ja käyttöohjeita.
- Varmista, että ohjauskeskus on yhteensopiva kiukaaseen. Voit tarkistaa uusimpien ohjauskeskusmallien yhteensopivuus Harvia.com
- Säilytä tämä asennus- ja käyttöohje myöhempää tarvetta varten.

3. LEVERANSINNEHÅLL

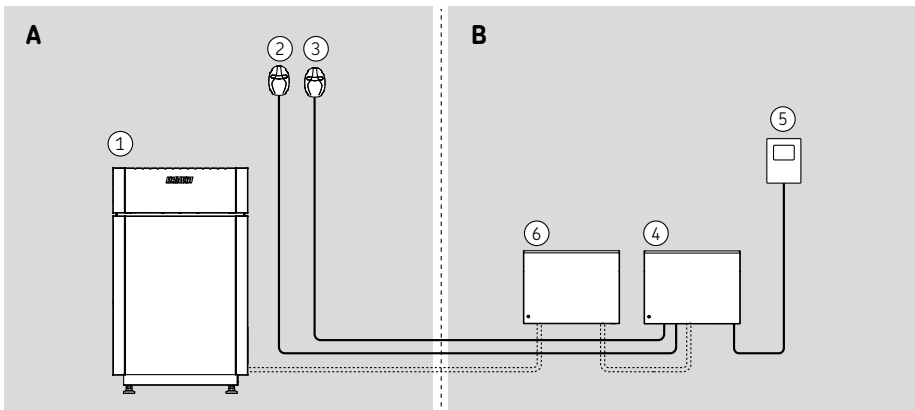


1. Kiuas

2. Asennus- ja käyttöohje

FI

4. ESIMERKKI ASENNUSKOKONAISUUDESTA



A. Saunahuone

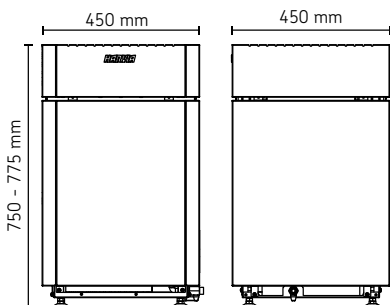
1. Kiuas
2. Lämpötila-anturi
3. Kosteusanturi

B. Kuiva tila

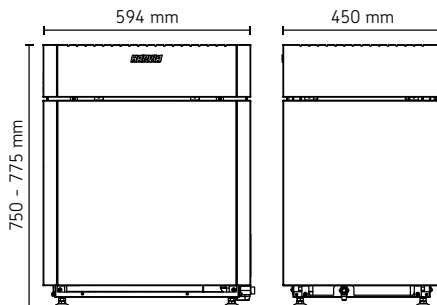
4. Ohjauskeskus
5. Ohjauspaneeli
6. Lisätehoyksikkö (valinnainen, on käytettävä, jos 2 ryhmää tai yli 11 kW).

5. TEKNISEET TIEDOT

QU90E, QU105E



QU120E, QU150E



ASENNUSTIEDOT

	QU90E	QU105E	QU120E	QU150E
Teho (kW) Kiuas	9	10.5	12	15
Käyttöjännitteet	400 V 3N- 230 V 1N-	400 V 3N- 230 V 1N-	400 V 3N-	400 V 3N-
Sähköiset ryhmät	1 ryhmä	1 ryhmä	2 ryhmät	2 ryhmät
Taajuus (Hz)	50 / 60	50 / 60	50 / 60	50 / 60
Syöttökaapeli	5 x 2.5 mm ²	5 x 2.5 mm ²	5 x 2.5 mm ²	5 x 2.5 mm ²
Liitäntäkaapelin tyyppi	H07RN-F tai vastaava	H07RN-F tai vastaava	H07RN-F tai vastaava	H07RN-F tai vastaava
Suojausluokka	IPX4	IPX4	IPX4	IPX4
Varastointi lämpötila	0-50°C	0-50°C	0-50°C	0-50°C

KIVET

	QU90E	QU105E	QU120E	QU150E
Kivien koko (cm)	Ø 5-10	Ø 5-10	Ø 5-10	Ø 5-10
Kivien määrä (kg)	25	25	40	40

MITAT

	QU90E	QU105E	QU120E	QU150E
Korkeus (mm)	750 - 775	750 - 775	750 - 775	750 - 775
Leveys (mm)	450	450	594	594
Syvyys (mm)	450	450	450	450
Paino (kg)	34	34	40	40

SAUNA HUONE				
	QU90E	QU105E	QU120E	QU150E
Huonetilavuus (m ³)	9-14	10-15	14-18	18-25
Saunan min. korkeus (mm)	1900	1900	1900	1900
HYVÄKSYTYT LISÄTARVIKKEET				
	QU90E	QU105E	QU120E	QU150E
Suojakaide	QUBE-L5 QUBE-W5	QUBE-L5 QUBE-W5	QUBE-L6 QUBE-W6	QUBE-L6 QUBE-W6
SFE turvalaitteet	SFE-500500	SFE-500500	SFE-500500	SFE-500500
YHTEENSOPIVAT OHJAUSKESKUKSET				
	QU90E	QU105E	QU120E	QU150E
Katso viimeisimmät ohjauskeskusmallit internet-sivuiltamme harvia.com	FX110 CX110 C105VKK Pro B2 Pro C2 Pro D2 Pro D2i	FX110 CX110 C105VKK Pro B2 Pro C2 Pro D2 Pro D2i	FX170 CX170 C105VKK *) Pro B2 *) Pro C2 *) Pro D2 *) Pro D2i *)	FX170 CX170 C105VKK *) Pro B2 *) Pro C2 *) Pro D2 *) Pro D2i *)
LISÄTEHOYKSIKKÖ *)				
	QU90E	QU105E	QU120E	QU150E
Katso viimeisimmät lisätehoysikkömallit internet-sivuiltamme harvia.com	LTY17 0-S2-18 0-S2-18S	LTY17 0-S2-18 0-S2-18S	LTY17 0-S2-18 0-S2-18S	LTY17 0-S2-18 0-S2-18S
*) valinnainen, on käytettävä, jos 2 ryhmää tai yli 11 kW				

FI

Taulukko 1. Tekniset tiedot

6. ASENNUSOHJEET

! Laitteen käyttöohjeessa ilmoitettuja arvoja on noudatettava, koska niistä poikkeaminen aiheuttaa palovaaran.

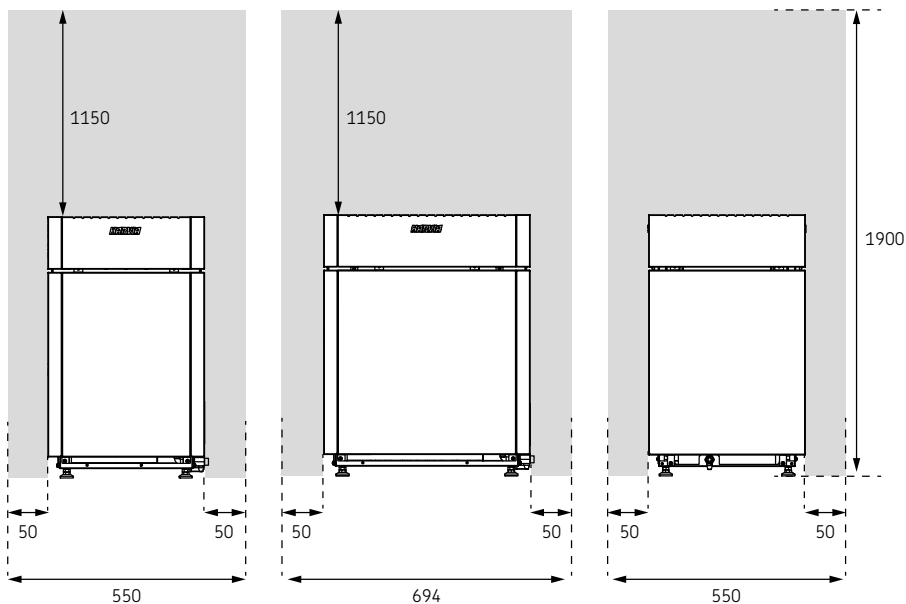
! Saunaan saa asentaa ainoastaan yhden sähkökiukaan, ellei käyttöohjeessa toisin mainita.

! Laite on asennettava niin, että varoitustekstit ovat helposti luettavissa asennuksen jälkeen.

6.1. Suojaetäisyydet

- Suojaetäisyyksien vähimmäisarvot palava-aineiseen materiaaliin on esitetty kuvassa (Kuva 1. Suojaetäisyydet).
- Jos kiukaan ympärille tehdään suojakaide, on noudatettava kuvassa (Kuva 1. Suojaetäisyydet) tai kaiteen asennusohjeessa annettuja suojaetäisyyksiä.

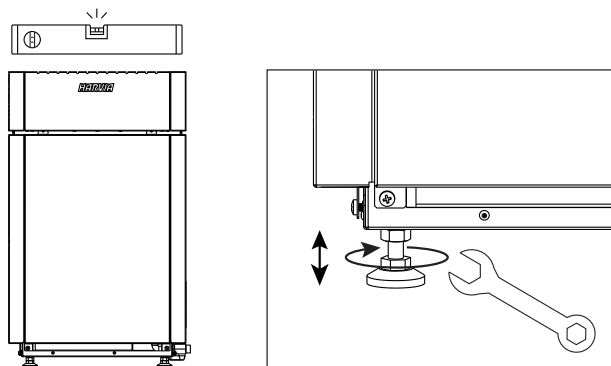
(min. mm)



FI

Kuva 1. Suojaetäisyydet

6.2. Kiukaan asennus



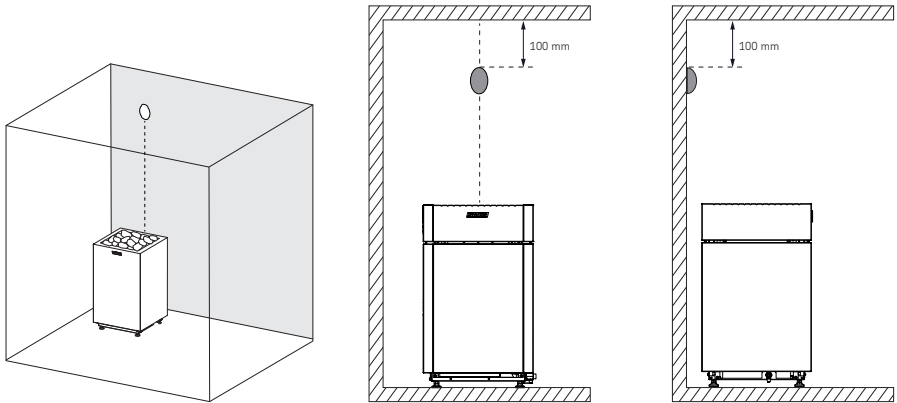
Kuva 2. Kiukaan asennus

6.3. Ohjauskeskuksen ja antureiden asentaminen



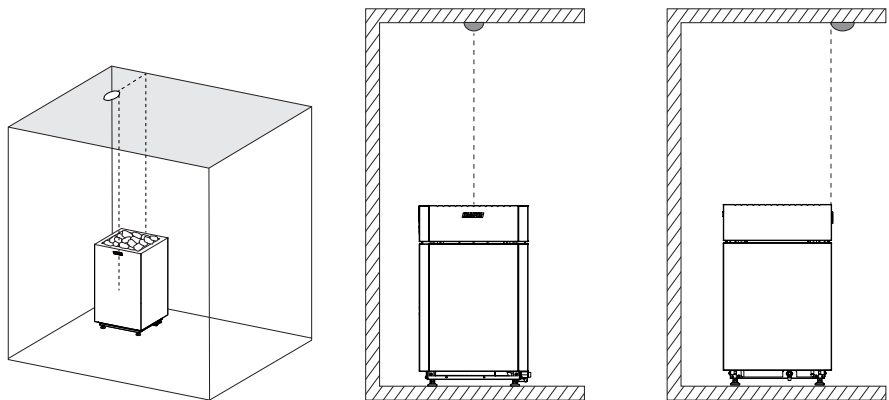
Älä sijoita tuloilmaventtiiliä siten, että ilmavirta viilentää lämpöpanturia

- Ohjauskeskuksen mukana on tarkemmat ohjeet keskuksen kiinnittämisestä seinään.
- Asenna lämpöpanturi kuvan mukaisesti. Jos kiuas asennetaan kauemmas kuin 150 mm etäisyydelle seinästä, on anturi asennettava kattoon.



FI

Kuva 3a. Lämpöpanturin asentaminen seinälle



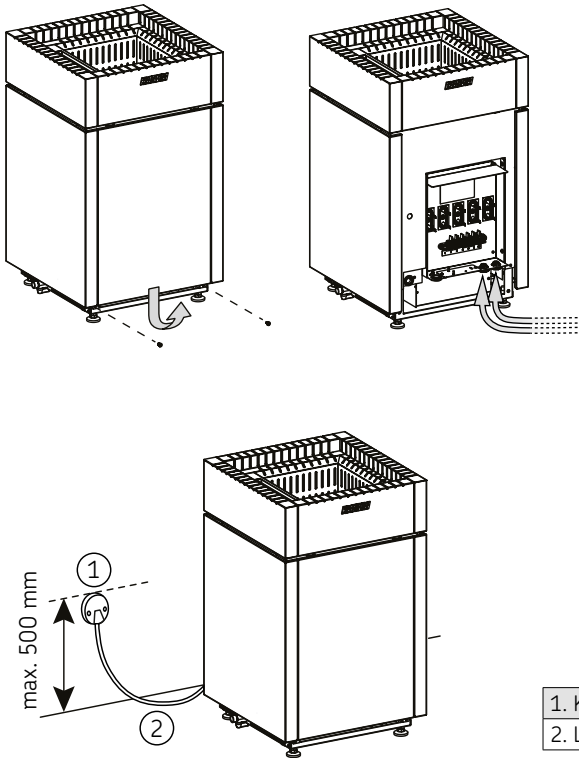
Kuva 3b. Lämpöpanturin asentaminen kattoon

6.4. Sähkökytkennät

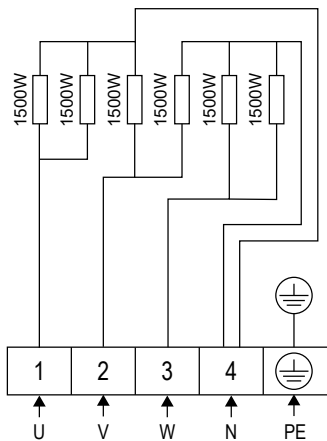


Kiukaan saa liittää sähköverkkoon vain siihen oikeutettu ammattitaitoinen sähköasentaja voimassa olevien määräysten mukaan.

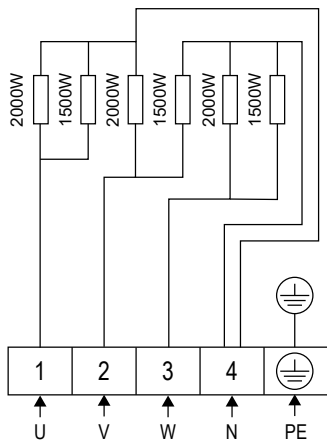
- Kiukaan liitetään puolikiinteästi saunan seinällä olevaan kytkentärasiaan. Kytkentärasian on oltava roiskevedenpitävä ja sen korkeus lattiasta saa olla korkeintaan 500 mm.
- Liitäntäkaapelina tulee käyttää kumikaapelityyppiä H07RN-F tai vastaavaa. HUOM! PVC-eristeisen johdon käyttö kiukaan liitäntäkaapelina on kielletty sen lämpöhaurauden takia.
- Jos liitäntä- tai asennuskaapelit tulevat saunaan tai saunan seinien sisään yli 1 000 mm korkeudelle lattiasta, tulee niiden kestää kuormitettuna vähintään 170 °C lämpötila (esim. SSJ). Yli 1 000 mm korkeudelle saunan lattiasta asennettavien sähkölaitteiden tulee olla hyväksytyjä käytettäviksi 125 °C ympäristölämpötilassa (merkintä T125).



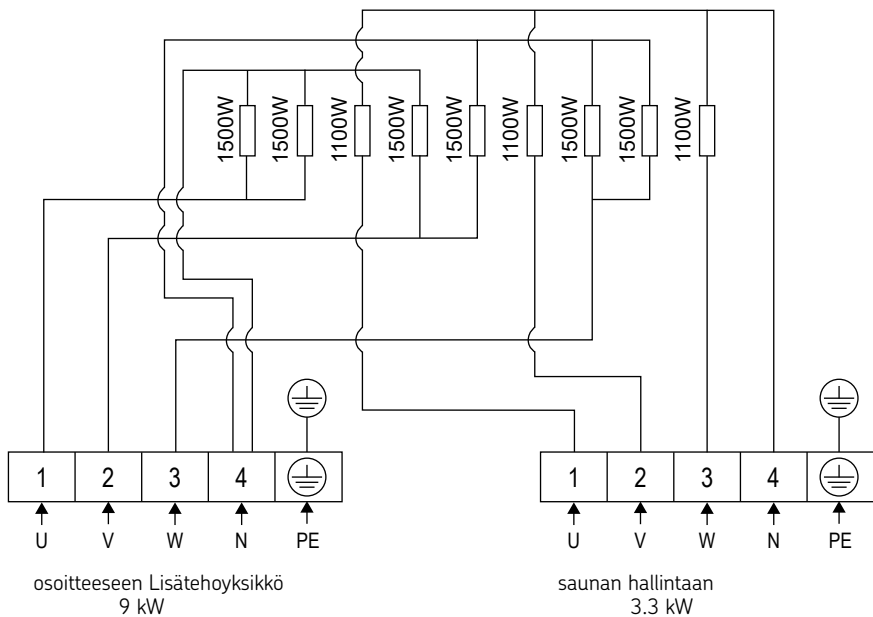
Kuva 4. Sähkökytkennät



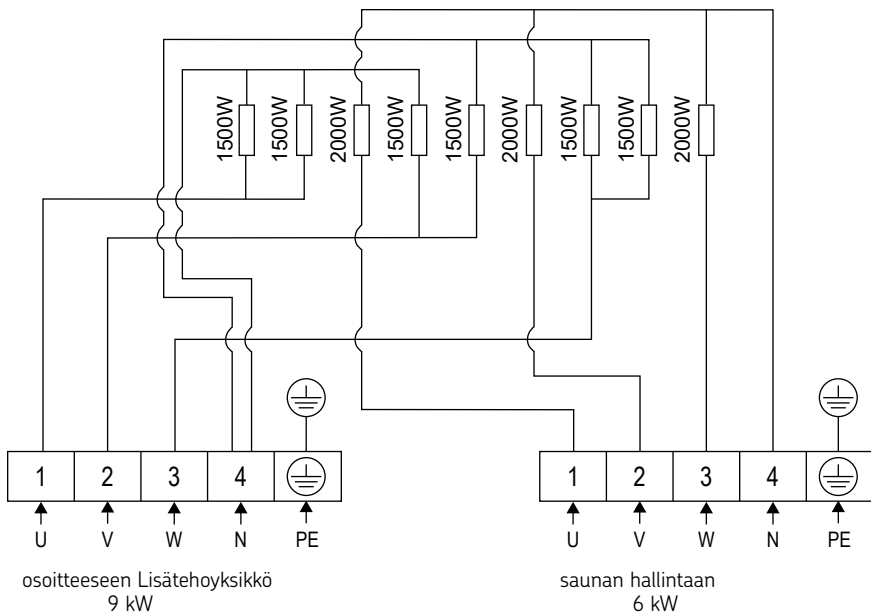
Kuva 5. Kytentäkaavio QU90E



Kuva 6. Kytentäkaavio QU105E



Kuva 7. Kytentäkaavio QU120E



FI

Kuva 8. Kytentäkaavio QU150E

6.5. Sähkökiukaan erityisresistanssi



Älä kytkä sähkökiukaan tehonsyöttöä vikavirtasuojakytkimen kautta!

Sähköasennusten lopputarkastuksessa saattaa kiukaan eristysresistanssimittauksessa esiintyä "vuotoa", mikä johtuu siitä, että lämmitysvastuksien eristeaineeseen on päässyt imeytymään ilmassa olevaa kosteutta (varastointi/kuljetus). Kosteus saadaan poistumaan vastuksista parin lämmityskerran jälkeen.

6.6. Kiuaskivien latominen



Kiuaskivillä on suuri merkitys kiukaan turvallisuuteen. Takuun säilymiseksi on käyttäjä vastuussa kiukaan kivitilan ylläpidosta käyttövaatimusten ja ohjeiden mukaisesti.



Kiukaan kivitilaan tai läheisyyteen ei saa laittaa mitään sellaisia esineitä tai laitteita, jotka muuttavat kiukaan läpi virtaavan ilman määrää tai suuntaa.



Paljaana hehkuva vastus voi kuumentaa kiukaan suojaetäisyyksien ulkopuolellakin olevat materiaalit vaarallisen kuumiksi. Tarkista, ettei vastuksia näy kivien takaa. Käyttäjänä sinulla on vastuu ylläpidosta ja että kivitila on virheetön kiukaan elinajan.

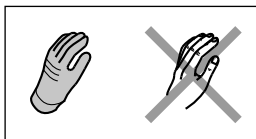
Tärkeää tietoa kiukaalle soveltuvista kiuaskivistä:

- Kiuaskiviksi sopivia kivimateriaaleja ovat peridotiitti, oliiviindiabaasi, oliiviini ja vulkaniitti.
- Käytä vain kiuaskiviksi tarkoitettuja lohkopintaisia ja/tai pyöristettyjä kiviä.
- Mikäli sähkökiukaan vastukset ovat kosketuksissa kiuaskiviin, tulee pyöristettyjä kiviä käyttää vain kiukaan kivitilan uloimmissa kerroksissa ilman kosketusta vastuksiin.
- Keraamisia kiviä ja koristekiviä on sallittua käyttää kiukaassa vain, mikäli kivet ovat valmistajan hyväksymiä ja niitä käytetään valmistajan ohjeistuksen mukaisesti.
- Huomioi, että koristekivet soveltuvat käytettäväksi vain kivitilan pinnassa. Koristekivet tulee latoa väljästi riittävän ilmankierron varmistamiseksi. Lado koristekivet siten, etteivät ne kosketa kiukaan vastuksiin.
- Takuu ei kata mahdollisia vikoja, jotka aiheutuvat muiden kuin valmistajan suosittelemien kiuaskivien ja koristekivien käytöstä.
- Huuho kiuaskivet kivipölystä ennen kiukaaseen latomista.

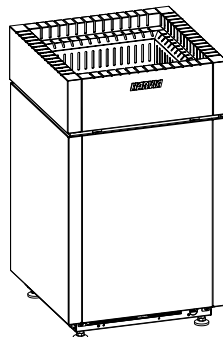
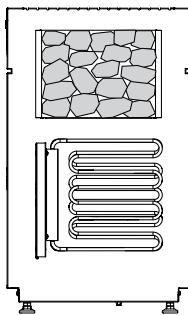
FI

Huomioi kiviä latoessasi:

- Aloita kivien ladonta suurimmilla kivillä, jotka ladotaan kiukaan alaosaan ja sivuille. Tämä varmistaa riittävän ilmankierron ja luo tukevan pohjan kivitilalle.
- Asettele jokainen kivi. Älä pudota kiviä kivitilaan.
- Älä tee kivistä kekoa kiukaan päälle. Kivitila saa ylettyä kiukaan ilmanohjaimen tasalle. Liiallinen kivimäärä heikentää ilmankiertoa ja heikentää kiukaan ominaisuuksia.
- On suositeltavaa säilyttää ylimääräisiä kiviä, jotta ne voidaan vaihtaa rikkoutuneiden tilalle tai jos kivitila vajoo käytön aikana.



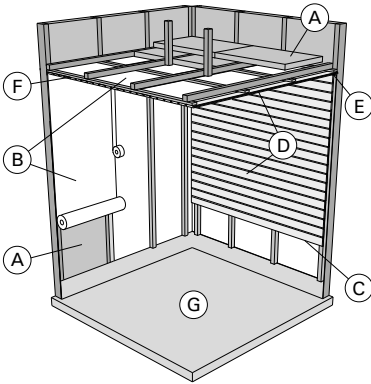
	QU90E QU105E	QU120E, QU150E
	Ø 5-10cm	Ø 5-10cm
	25kg	40kg



Kuva 9. Kiuaskivien latominen

7. SAUNAHUONE

7.1. Saunahuoneen rakenne



- A. Eristevilla, paksuus 50–100 mm. Saunahuone tulee eristää huolellisesti, jotta kiuasteho voidaan pitää kohtuullisen pienenä.
- B. Kosteussulku, esim. alumiinipaperi. Aseta paperin kiiltävä puoli kohti saunan sisätilaa. Teippaa saumat tiiviiksi alumiiniteipillä.
- C. Noin 10 mm tuuletusrako kosteussulun ja paneelin välissä (suositus).
- D. Pienimassainen 12–16 mm paksu paneelilauta. Selvitä ennen paneeloinnin aloittamista laitteiden sähköjohdotukset sekä kiukaan ja lauteiden vaatimat vahvistukset seinissä.
- E. Noin 3 mm tuuletusrako seinä- ja kattopaneelin välissä.
- F. Saunan korkeus on tavallisesti 2100–2300 mm. Vähimmäiskorkeus riippuu kiukaasta. Ylälauteen ja katon välin tulisi olla enintään 1200 mm.
- G. Käytä keraamisia lattiapäällysteitä ja tummia sauma-aineita. Kivistä irronnut kiviaines ja löylyveden epäpuhtaudet saattavat liata ja/tai vaurioittaa herkkiä lattiapäällysteitä.

FI

HUOM! Selvitä paloviranomaisten kanssa mitä palomuurin osia saa eristää. Käytössä olevia hormeja ei saa eristää.

HUOM! Suoraan seinään tai katon pinnalle asennettu kevytsuojaus voi aiheuttaa palovaaran.

HUOM! Saunan lattialle tuleva vesi tulee ohjata lattiakaivoon

7.2. Kiuasteho

Kun seinät ja katto ovat paneelipintaiset ja paneelien takana on riittävä eristys, kiukaan teho määritetään saunan tilavuuden mukaan. Eristämättömät seinäpinnat (tiili, lasitiili, lasi, betoni, kaakeli yms.) lisäävät kiuastehon tarvetta. Lisää saunan tilavuuteen 1,2 m³ jokaista eristämätöntä seinäpintaneliötä kohti. Esim. 10 m³ saunahuone, jossa on lasiovi vastaa tehontarpeeltaan n. 12 m³ saunahuonetta. Jos saunahuoneessa on hirsiseinät, kerro saunan tilavuus luvulla 1,5. (5. Tekniset tiedot)

7.3. Saunan seinien tummuminen

Saunahuoneen puupintojen tummuminen ajan mittaan on normaalia. Tummumista saattavat nopeuttaa

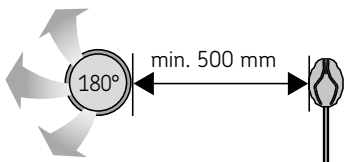
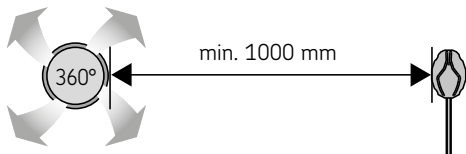
- auringonvalo
- kiukaan lämpö
- seinäpintoihin tarkoitetut suoja-aineet (suoja-aineet kestävät huonosti lämpöä)
- kiukaan kivistä mureneva ja ilmavirtauksien mukana nouseva hienojakoinen kiviaines.

7.4. Saunahuoneen ilmanvaihto

! Lämpötila-anturi on aina asennettava ohjeessa määrättyyn paikkaan. Jos vähimmäisetäisyys tuloilmaventtiiliin ei täyty, on ilmanvaihtoa muutettava!

! Älä sijoita tuloilmaventtiiliä siten, että ilmavirta viilentää lämpöanturia!

- Saunahuoneen ilman tulisi vaihtua kuusi kertaa tunnissa.
- **Koneellinen ilmanvaihto:** Tuloilmaventtiili tulee sijoittaa saunan yläosaan siten, ettei se vaikuta lämpötila-anturin toimintaan. (Kuva 9. Tuloilmaventtiilin vähimmäisetäisyys lämpötila-anturiin)
- **Painovoimainen ilmanvaihto:** Tuloilmaventtiili tulee sijoittaa kiukaan alapuolelle tai viereen. Tuloilmaventtiilin halkaisijan tulee olla 50–100 mm.
- Poistoilmaventtiili: Sijoita poistoilmaventtiili mahdollisimman kauas kiukaasta ja lähelle lattiaa. Poistoilmaventtiilin halkaisijan tulisi olla kaksi kertaa tuloilmaventtiilin halkaisijaa suurempi.
- Mahdollinen kuivatusventtiili (suljettu lämmittämisen ja saunomisen aikana). Saunan voi kuivattaa myös jättämällä oven auki saunomisen jälkeen.
- Jos poistoilmaventtiili on pesuhuoneen puolella, saunan oven kynnyksellä tulee olla vähintään 100 mm. Koneellinen poistoilmavaihto pakollinen.



Kuva 10. Tuloilmaventtiilin vähimmäisetäisyys lämpötila-anturiin

7.5. Saunahuoneen hygienia

- Suosittelemme käyttämään saunoessa laudeliinoja, jotta hiki ei valuisi lauteille.
- Vähintään puolen vuoden välein kannattaa saunan lauteet, seinät ja lattia pestä perusteellisesti. Käytä juuriharjaa ja saunanpesuainetta.
- Pyyhi kiuas pölystä ja liasta kostealla liinalla. Poista kalkkitahrat kiukaasta 10 % sitruunahappoliuoksella ja huuhtelee.

8. KÄYTTÖOHJEET

8.1. Kiukaan käyttö



Tarkista aina ennen kiukaan päälle kytkentää, ettei kiukaan päällä tai lähietäisyydellä ole mitään tavaroita.

- Kiuasta käytetään erillisen ohjauskeskuksen kautta. Tutustu ohjauskeskuksen mukana toimitettaviin käyttöohjeisiin.
- Kiuas ja kivet tuottavat ensimmäisellä käyttökerralla hajua, joiden poistamiseksi saunahuoneeseen on järjestettävä hyvä tuuletus.
- Jos kiuas on teholtaan sopiva saunahuoneeseen, hyvin lämpöeristetty saunahuone lämpenee käyttökuntoon noin tunnissa. Kiuaskivet kuumenevat yleensä samassa ajassa kuin saunahuoneekin.
- Sopiva lämpötila saunahuoneessa on noin 65–80 °C.

8.2. Löylynheitto



Käytä löylykauhaa, jonka tilavuus on korkeintaan 0,2 litraa. Jos kiukaalle heitetään tai kaadetaan kerralla liikaa vettä, sitä saattaa roiskua kiehuvan kuumana kylpijöiden päälle.



Älä heitä löylyä silloin, kun joku on kiukaan läheisyydessä, koska kuuma vesihöyry voi aiheuttaa palovammoja.

- Saunan ilma kuivuu, kun saunaa lämmitetään. Tämän vuoksi on tarpeen lisätä ilmankosteutta heittämällä vettä kiukaan kiville.
- Jokainen ihminen kokee lämmön ja kosteuden vaikutuksen omalla tavallaan – kokeilemalla löydät itsellesi sopivan lämpötilan ja ilmankosteuden.
- Pyri heittämään vettä vain kiuaskiville.

8.3. Veden laatuvaatimukset

- Löylyvetenä tulee käyttää vettä, joka täyttää talousveden laatuvaatimukset (Taulukko 2.).
- Löylyvedessä voi käyttää ainoastaan löylyveteen tarkoitettuja hajusteita. Noudata hajusteen mukana toimitettuja ohjeita.

Veden ominaisuus	Vaikutukset	Suositus
Humuspitoisuus	Väri, maku, saostumat	<12 mg/l
Rautapitoisuus	Väri, haju, maku, saostumat	<0,2 mg/l
Mangaanipitoisuus (Mn)	Väri, haju, maku, saostumat	<0,10 mg/l
Kovuus: tärkeimmät aineet kalkki eli kalsium (Ca) ja magnesium (Mg)	Saostumat	Ca: <100 mg/l Mg:<100 mg/l
Kloridipitoinen vesi	Korroosio	Cl: <100 mg/l
Klooripitoinen vesi	Terveysriski	Käyttö kielletty
Merivesi	Nopea korroosio	Käyttö kielletty
Arseeni- ja radonpitoisuudet	Terveysriski	Käyttö kielletty

Taulukko 2.

8.4. Saunomisohejeita

- Aloita saunominen peseytymällä.
- Istu löylyssä niin kauan, kuin tuntuu mukavalta.
- Unohda kiire ja rentoudu.
- Hyviin saunatapoihin kuuluu, että huomioit muut saunojat häiritsemättä heitä äänekkäällä käytökselläsi.
- Älä aja muita lauteilta liiallisella löylynheittolla.
- Jäähdytä eli vilvoittele ihoasi. Jos olet terve, voit nauttia vilvoittelun yhteydessä uimisesta.
- Peseydy saunomisen loppuksi.
- Lepäile ja anna olosi tasaantua. Nauti nestetasapainon palauttamiseksi raikasta juomaa.

FI

9. YLLÄPITO JA HUOLTO



Kaikki erityisosaamista vaativat huoltotoimet on annettava koulutetun ammattilaisen tehtäväksi.

9.1. Kiuaskivet

- Voimakkaan lämmönvaihtelun vuoksi kiuaskivet rapautuvat ja murenevat käytön aikana. Lado kivet uudelleen vähintään kerran vuodessa, kovassa käytössä useammin.
- Poista samalla kertynyt kivijäte ja vaihda rikkoutuneet kivet. Näin varmistat, että kiukaan löylyominaisuudet säilyvät eikä ylikuumenemisen vaaraa synny.
- Tarkkaile kivien painumista kivillassa. Huolehdi, ettei vastuksia tule ajan mittaan näkyviin. Kivien painuminen on nopeinta noin kahden kuukauden aikana käyttöönotosta.

9.2. Vianetsintä

Kiuas ei lämpene

- Tarkista, että kiukaan sulakkeet sähkötaulussa ovat ehjät.
- Tarkista, että kiukaan liitäntäkaapeli on kytketty
- Tarkista, ettei ylikuumentumissuojat ole lauennut (katso ohjauskeskuksen asennusohje).

Saunahuone lämpenee hitaasti. Kiukaalle heitetty vesi jäähdyttää kivet nopeasti

- Tarkista, että kiukaan sulakkeet sähkötaulussa ovat ehjät.
- Tarkista, että kaikki vastukset hehkuvat, kun kiuas on päällä.
- Säädä lämpötila korkeammaksi (katso ohjauskeskuksen asennusohje).
- Tarkista, ettei kiukaan teho ole liian pieni
- Tarkista, että saunahuoneen ilmanvaihto on järjestetty oikein

Saunahuone lämpenee nopeasti, mutta kivet eivät ehdi lämmetä. Kiukaalle heitetty vesi ei höyrysty, vaan valuu kivitilan läpi

- Tarkista, ettei kiukaan teho ole liian suuri
- Tarkista, että saunahuoneen ilmanvaihto on järjestetty oikein

Paneeli tai muu materiaali kiukaan lähellä tummuu nopeasti

- Tarkista, että suojaetäisyysvaatimukset täyttyvät
- Tarkista, ettei vastuksia näy kivien takaa. Jos näkyy, lado kivet uudelleen ja huolehdi, että vastukset peittyvät kokonaan
- Katso myös kohta (7.3. Saunan seinien tummuminen)

FI

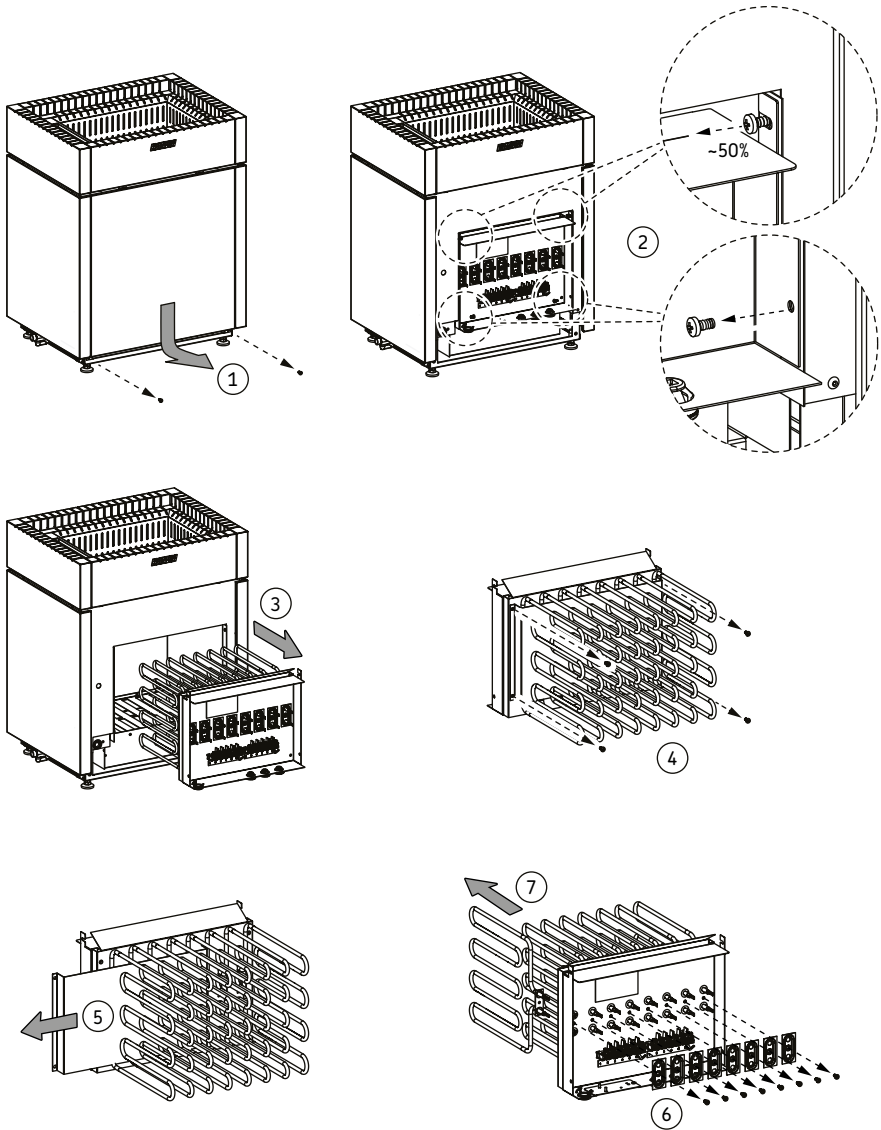
Kiuas tuottaa hajua

- Katso kohta (8.1. Kiukaan käyttö)
- Kuuma kiuas saattaa korostaa ilmaan sekoittuneita hajuja, jotka eivät kuitenkaan ole peräisin saunasta tai kiukaasta. Esimerkkejä: maalit, liimat, lämmitysöljy, mausteet.

Kiukaasta kuuluu ääntä

- Satunnaiset pamaukset johtuvat yleensä kivistä, jotka halkeavat kuumuudessa.
- Kiukaan osien lämpölaajeneminen saattaa aiheuttaa ääntä kiukaan lämmitessä.

9.3. Vastusten vaihtaminen



FI

Kuva 11. Vastusten vaihtaminen

10. VARAOSAT

spareparts.harvia.com



11. TAKUUEHDOT

www.harvia.com



Harvia Qube

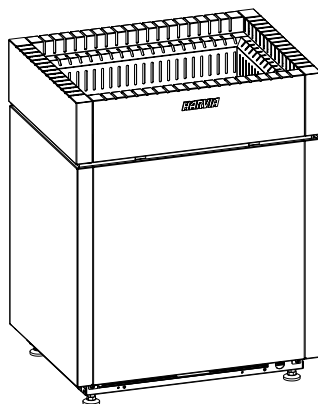
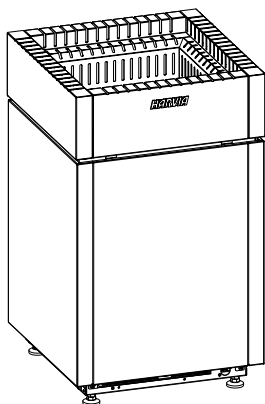
Elektriskt bastuaggregat Monterings- och bruksanvisning

HARVIA

Sauna & Spa

Let's sauna.

Artikelnr	Typ	Ström
HQU904M	QU90E	9 kW
HQU1054M	QU105E	10.5 kW
HQU1204M	QU120E	12 kW
HQU1504M	QU150E	15 kW



SV



Grattis till ditt utmärkta val av bastuaggregat!

Ett bastuaggregat från Harvia fungerar bäst och kan brukas i många år om det används och underhålls enligt anvisningarna i den här bruksanvisningen. Läs anvisningarna innan du installerar eller använder bastuaggregatet. Spara bruksanvisningen för framtida bruk. Installations- och bruksanvisningar finns också på vår webbplats www.harvia.com.

INNEHÅLL

1. VARNINGAR OCH ANMÄRKNINGAR	3
2. FÖRE INSTALLATION	7
3. LEVERANSINNEHÅLL	8
4. EXEMPEL PÅ EN INSTALLATION	8
5. TEKNISK INFORMATION	9
6. MONTERINGSANVISNING	11
6.1. Säkerhetsavstånd	11
6.2. Installation av bastuaggregat	12
6.3. Installera styrenheten och givarna	13
6.4. Elinstallation	14
6.5. Isolationsresistans hos det elektriska bastuaggregatet	16
6.6. Placering av bastustenar	17
7. BASTURUMMET	18
7.1. Basturummets konstruktion	18
7.2. Aggregat effekt	18
7.3. Mörknande av bastuns väggar	18
7.4. Ventilation i bastun	19
7.5. Hygien i basturummet	19
8. BRUKSANVISNING	20
8.1. Använda bastuaggregatet	20
8.2. Kasta vatten	20
8.3. Krav på vattenkvaliteten	21
8.4. Instruktioner för bastubad	21
9. REGELBUNDEN SKÖTSEL OCH UNDERHÅLL	22
9.1. Bastustenar	22
9.2. Felsökning	22
9.3. Byta värmeelement	23
10. RESERVDELAR	24
11. GARANTIVILLKOR	24

1. VARNINGAR OCH ANMÄRKNINGAR



Bekanta dig med varningarna och läs noga igenom instruktionerna innan du börjar använda enheten.



VARNING! Underlåtelse att följa denna varning kan leda till allvarliga personskador eller dödsfall.



VIDTA FÖRSIKTIGHET! Underlåtelse att följa denna varning kan leda till mindre allvarliga eller allvarliga skador.



Får ej övertäckas!

Installation

- Bastuaggregatet är konstruerat att värma upp bastun till önskad temperatur. Det är förbjudet att använda det till något annat ändamål. Styrenheten är utformad för att styra bastuaggregatet och de bastufunktioner som är avsedda för styrenheten. Det är förbjudet att använda det till något annat ändamål.
- Enheten får endast anslutas till elnätet av behörig elektriker i enlighet med gällande bestämmelser. Den person som ansvarar för installationen av enheten måste överlämna den medföljande installations- och bruksanvisningen till användaren samt ge nödvändig utbildning innan installationsarbetet överläts.
- Enheten måste alltid kopplas bort från elnätet innan service utförs!
- Inspektera enheten för synliga skador före installation och idrifttagning. Använd inte en enhet som skadats.
- De värden som anges i bruksanvisningen för enheten måste iakttas. Vid avvikelser från dessa värden uppstår en brandrisk.
- Såvida inte annat anges i bruksanvisningen får endast en elvärmare installeras i bastun.
- Aggregatet måste installeras så att varningstexterna är lätta att läsa efter installationen.
- Såvida inte annat anges i bruksanvisningen får inte bastuaggregatet eller enheten installeras i en väggnisch.
- Om ett skyddsräcke är monterat runt bastuaggregatet måste de säkerhetsavstånd som anges i aggregatets bruksanvisning följas.
- Om du vill montera tillbehör till enheten följer du alltid instruktionerna i bruksanvisningen för respektive tillbehör, både under installationen och senare när du använder tillbehöret.

- Sörj för tillräcklig ventilation i bastun (luften ska bytas ut sex gånger i timmen).
- Placera inte tilluftsventilen på ett sådant sätt att luftflödet kyler värmegivaren (se monteringsanvisningen för värmegivaren).
- Om det finns skador på nätsladden måste antingen tillverkaren eller tillverkarens underhållsrepresentant eller sakkunnig person byta ut den för att förebygga fara.
- Användning av en PVC-isolerad kabel som anslutningskabel för bastuaggregatet är förbjudet på grund av dess termiska bräcklighet.
- Kontrollera alltid skicket på kopplingsdosans kontakter innan bastuaggregatet installeras. Vi rekommenderar skruvkontakter. Undvik fjädrade kontakter!
- Det är inte tillåtet att ansluta den elektriska centralen till elvärmaren via en jordfelsbrytare.
- Om enheten används i en offentlig bastu utan timer ska strömindikatorn placeras i det rum där enheten används.
- Använd alltid skyddshandskar vid installation och underhåll samt när du lägger i bastustenar.
- Täck värmeelementen helt med stenar. Ett glödande, blottlagt värmeelement kan utgöra en brandfara!
- Placera inga sådana föremål eller anordningar i eller nära aggregatets stenmagasin som kan ändra mängden eller riktningen av luftflödet i aggregatet.

SV

Användning och bastubad

- Denna enhet får användas av barn från 8 år och uppåt samt av personer med nedsatt fysisk, sensorisk eller mental förmåga, eller med bristande erfarenhet och kunskap, förutsatt att de hålls under övervakning eller instrueras i säker användning av enheten och förstår de risker som är förenade med den.
- Enheten får inte användas som leksak av barn. Det är inte tillåtet för barn att, utan uppsikt, rengöra apparaten eller utföra något underhåll på enheten.
- Var försiktig med bastuaggregatet när det är uppvärmt. Stenarna och metalldelarna i bastuaggregatet är mycket varma och kan bränna huden.
- Kontrollera alltid att det inte finns några föremål på eller i närheten av bastuaggregatet innan du slår på det.
- Se till att ventilationen är tillräcklig de första gångerna bastuaggregatet värms upp eftersom det kan hända att det avger lukt.

- Kasta eller häll inte för mycket vatten på bastuaggregatet på en gång, eftersom det kan orsaka skållande stänk.
- Kasta inte vatten på bastuaggregatet när någon befinner sig i närheten av det.
- Använd inte en skopa som rymmer mer än 0,2 liter.
- Använd inte någon annan typ av vatten än det som anges i bastuaggregatets instruktioner.
- Om du använder bastudofter i vattnet ska du endast använda dofter som är avsedda för bastuvatten och följa deras bruksanvisningar.
- Långvarig vistelse i en varm bastu höjer kroppstemperaturen, vilket kan vara farligt.
- Håll barn på behörigt avstånd från bastuaggregatet.
- Lämna inte barn, rörelsehindrade, sjuka eller personer med svag hälsa ensamma i bastun.
- Rådgör med läkare om du har några hälsorestriktioner i samband med bastubad.
- Var försiktig när du rör dig i bastun, eftersom bastulavarna eller golvytorna kan vara hala.
- Använd inte en varm bastu under påverkan av alkohol, läkemedel, narkotika eller något annat berusningsmedel.
- Sov inte i en uppvärmd bastu.
- Ett marint klimat och andra fuktiga klimat kan korrodera bastuaggregatets metallytor.
- På grund av brandrisken får bastun inte användas som torkrum för tvätt. Även elektriska apparater kan ta skada av hög luftfuktighet.
- Återställ inte överhettningsskyddet genom att trycka på återställningsknappen förrän orsaken till att det utlösts har fastställts. Överhettningsskyddet får endast återställas av en behörig service-tekniker såvida inte annat anges i bruksanvisningen.
- När inkopplingstiden har gått ut kontrollerar du att bastuaggregatet verkligen har stängts av och slutat värma.
- Varma stenflisor som faller från bastuaggregatet kan skada golvbeläggningar och orsaka brandrisk.
- I offentliga bastur där bastuaggregatet används utan timer, eller kontinuerligt under längre tidsperioder än vad den fabriksinställda timern på bastuaggregatet eller styrenheten medger, måste enheten övervakas kontinuerligt.
- Bastun och området runtom bastuaggregatet ska alltid inspekteras innan bastuaggregatet slås på igen, eller vid fjärrpåslagning.

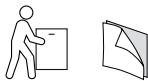
- Bastun och bastuaggregatets omgivning ska alltid inspekteras innan enheten försätts i vänteläge för fjärrstyrning eller tidsinställd drift.
- Enligt produktstandarden SS-EN 60335-2-53 för elektriska bastuaggregat får styrenheter med fjärrstartfunktion användas för att styra och reglera bastuaggregatet om en lämplig säkerhetsavstängningsmekanism (dörr- eller säkerhetsbrytare) har installerats på bastuaggregatet eller bastudörren.

Underhåll

- Alla underhållsåtgärder som det krävs specialkunskaper för måste utföras av en utbildad fackman.
- Torka av bastuaggregatet med en fuktig trasa emellanåt för att avlägsna damm och smuts. Använd vid behov milda rengöringsmedel. Använd inte rinnande vatten för rengöring.
- Se till att enheten har svalnat fullständigt innan du påbörjar rengöringen.
- Stapla om stenarna eller byt ut trasiga stenar mot nya minst varje år.

2. FÖRE INSTALLATION

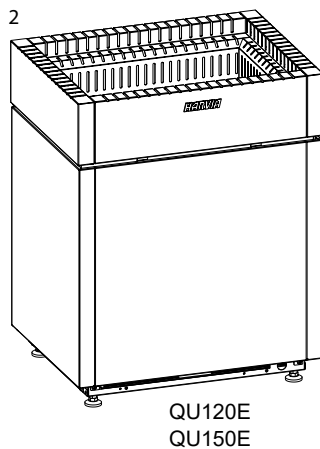
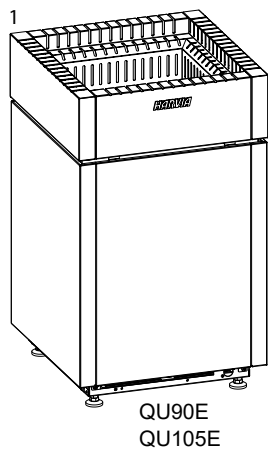
- Bastuaggregatet får endast transporteras i upprätt läge.
- Bastuaggregatet kan lyftas och flyttas om det stöds från ytterhöljet.
- Ta bort skyddsplasten från bastuaggregatet före användning.



Checklista för installation av bastuaggregatet

- Kontrollera att aggregatet är intakt. Använd inte ett defekt bastuaggregat. Rapportera eventuella transportskador till leverantören.
- Bastuaggregatet är lämpligt i fråga om effekt och typ för den aktuella bastun. Volymvärdena för bastun får inte överskridas eller underskridas (5. Teknisk information) (7.2. Aggregateffekt)
- Inspänningen är lämplig för bastuaggregatet.
- Installationsplatsen för bastuaggregatet uppfyller minimikraven för säkerhetsavstånd (6.1. Säkerhetsavstånd)
- Placeringen av temperaturgivaren/överhettningsskyddet är specifik för bastuaggregatet. Se till att givaren installeras enligt anvisningarna.
- Se till att bastuaggregatets stenar är placerade enligt anvisningarna.
- Om tillbehör ska installeras är det viktigt att följa de produktspecifika anvisningarna för installation och användning.
- Kontrollera att styrenheten är kompatibel med bastuaggregatet. Du kan kontrollera kompatibiliteten för de senaste styrenhetsmodellerna på Harvia.com
- Förvara denna bruksanvisning för framtida bruk.

3. LEVERANSINNEHÅLL

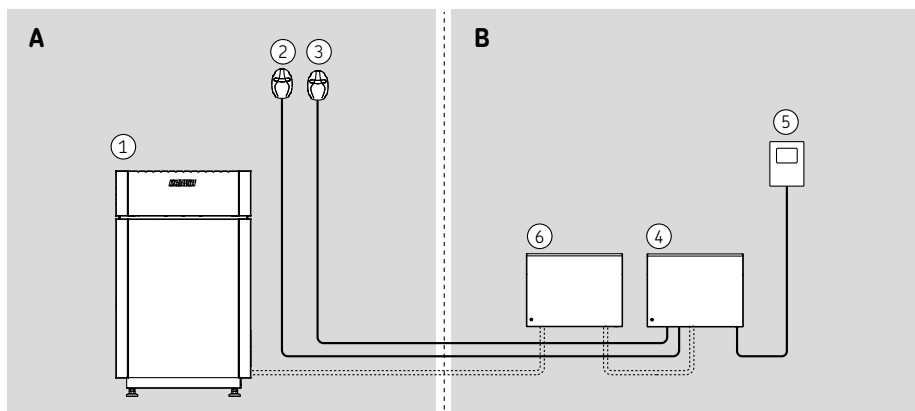


1. Bastuaggregat

2. Monterings- och bruksanvisning

4. EXEMPEL PÅ EN INSTALLATION

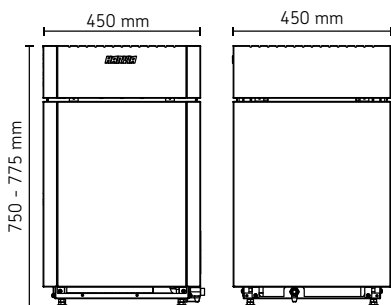
SV



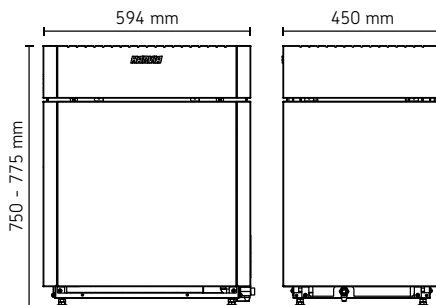
A. Bastu	B. Torrutrymme
1. Bastuaggregat	4. Styrenhet
2. Temperaturgivare	5. Styrpanel
3. Bänksensor	6. effektförlängning (tillval, måste användas om 2 grupper eller mer än 11 kW)

5. TEKNISK INFORMATION

QU90E, QU105E



QU120E, QU150E



INSTALLATIONSDATA				
	QU90E	QU105E	QU120E	QU150E
Effekt (kW) bastuaggregat	9	10.5	12	15
Driftspänningar	400 V 3N- 230 V 1N-	400 V 3N- 230 V 1N-	400 V 3N-	400 V 3N-
Elektriska grupper	1 grupp	1 grupp	2 grupper	2 grupper
Frekvens (Hz)	50 / 60	50 / 60	50 / 60	50 / 60
Matningskabel	5 x 2.5 mm ²	5 x 2.5 mm ²	5 x 2.5 mm ²	5 x 2.5 mm ²
Typ av anslutningskabel	H07RN-F eller motsvarande	H07RN-F eller motsvarande	H07RN-F eller motsvarande	H07RN-F eller motsvarande
Skyddsklass	IPX4	IPX4	IPX4	IPX4
Förvaringstemperatur	0-50°C	0-50°C	0-50°C	0-50°C
STENAR				
	QU90E	QU105E	QU120E	QU150E
Storlek på stenar (cm)	Ø 5-10	Ø 5-10	Ø 5-10	Ø 5-10
Mängd stenar (kg)	25	25	40	40
MÅTT				
	QU90E	QU105E	QU120E	QU150E
Aukstis (mm)	750 - 775	750 - 775	750 - 775	750 - 775
Plotis (mm)	450	450	594	594
Gylis (mm)	450	450	450	450
Masé (kg)	34	34	40	40

SV

BASTU				
	QU90E	QU105E	QU120E	QU150E
Bastuvoly m (m³)	9-14	10-15	14-18	18-25
Minsta bastuhöjd (mm)	1900	1900	1900	1900
GODKÄNDA BASTUPRODUKTER				
	QU90E	QU105E	QU120E	QU150E
Skyddsräcke	QUBE-L5 QUBE-W5	QUBE-L5 QUBE-W5	QUBE-L6 QUBE-W6	QUBE-L6 QUBE-W6
SFE-säkerhetsanordningar	SFE-500500	SFE-500500	SFE-500500	SFE-500500
KOMPATIBLA STYRENHETER				
	QU90E	QU105E	QU120E	QU150E
Se de senaste modellerna av styrenheter på vår webbplats harvia.com	FX110 CX110 C105VKK Pro B2 Pro C2 Pro D2 Pro D2i	FX110 CX110 C105VKK Pro B2 Pro C2 Pro D2 Pro D2i	FX170 CX170 C105VKK *) Pro B2 *) Pro C2 *) Pro D2 *) Pro D2i *)	FX170 CX170 C105VKK *) Pro B2 *) Pro C2 *) Pro D2 *) Pro D2i *)
EFFEKTÖKNING *)				
	QU90E	QU105E	QU120E	QU150E
Se de senaste modellerna med effektökning på vår webbplats harvia.com	LTY17 0-S2-18 0-S2-18S	LTY17 0-S2-18 0-S2-18S	LTY17 0-S2-18 0-S2-18S	LTY17 0-S2-18 0-S2-18S
*) tillval, måste användas om 2 grupper eller mer än 11 kW				

SV

Tabell 1. Teknisk information

6. MONTERINGSANVISNING



De värden som anges i bruksanvisningen för enheten måste iakttas. Vid avvikelser från dessa värden uppstår en brandrisk.



Såvida inte annat anges i bruksanvisningen får endast en elvärmare installeras i bastun.

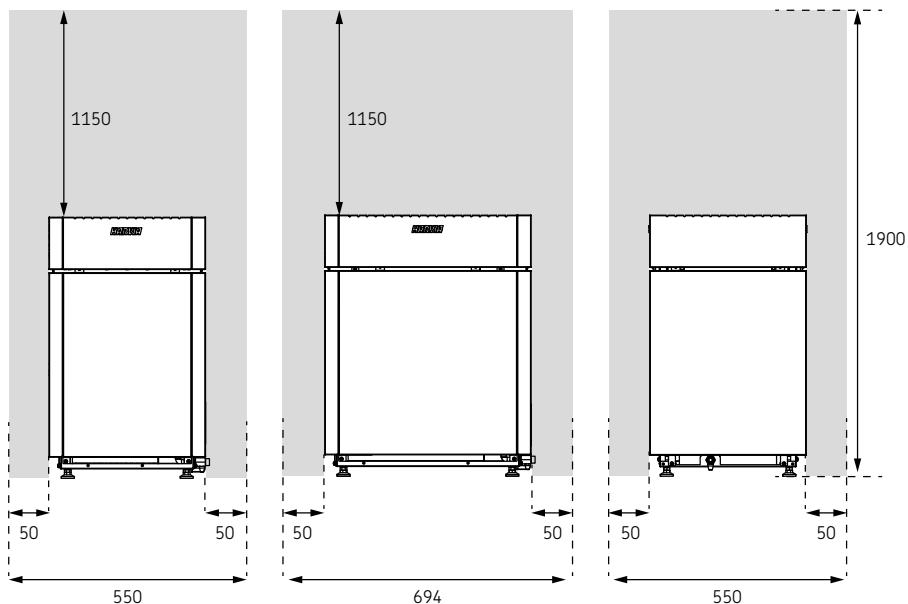


Enheten måste installeras på ett sådant sätt att varningstexterna är lätta att läsa efter installationen.

6.1. Säkerhetsavstånd

- Minsta skyddsavstånd till brännbart material visas i bild (Bild 1. Säkerhetsavstånd).
- Om ett skyddsräcke är monterat runt bastuaggregatet måste de säkerhetsavstånd som anges i bild (Bild 1. Säkerhetsavstånd) eller i monteringsanvisningen för skyddsräcket följas.

(min. mm)



SV

Bild 1. Säkerhetsavstånd

6.2. Installation av bastuaggregat

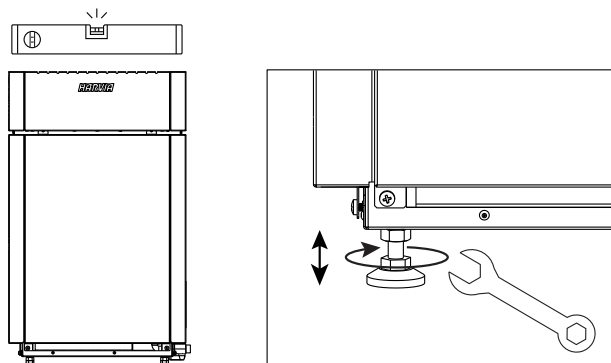


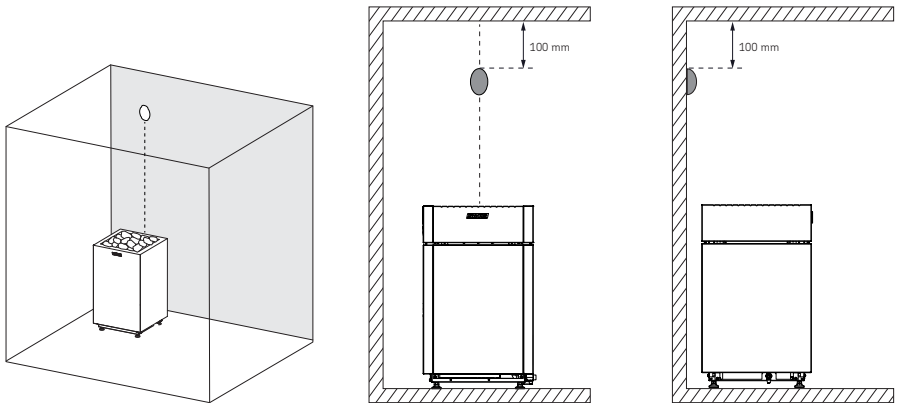
Bild 2. Installation av bastuaggregat

6.3. Installera styrenheten och givarna



Placera inte tilluftsventilen på ett sådant sätt att luftflödet kyler värmegivaren.

- Styrenheten levereras med detaljerade anvisningar om hur du monterar den på väggen.
- Installera värmegivaren enligt vad som visas på bilden. Om bastuaggregatet installeras längre än 150 mm från väggen måste givaren installeras i taket.



SV

Bild 3a. Installera värmegivaren på väggen

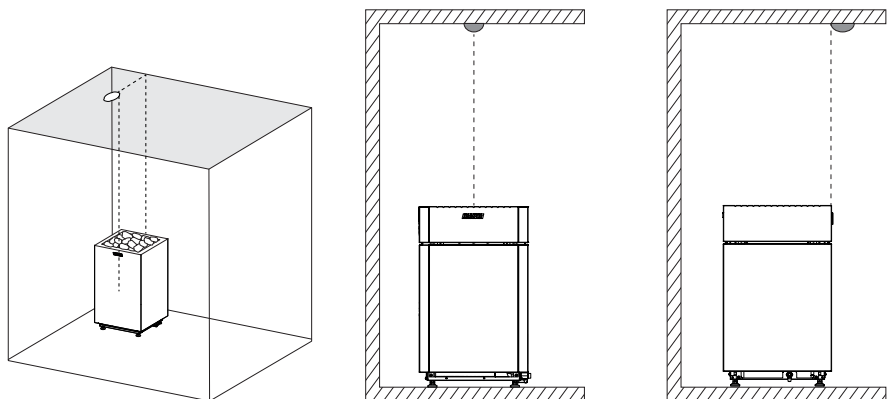


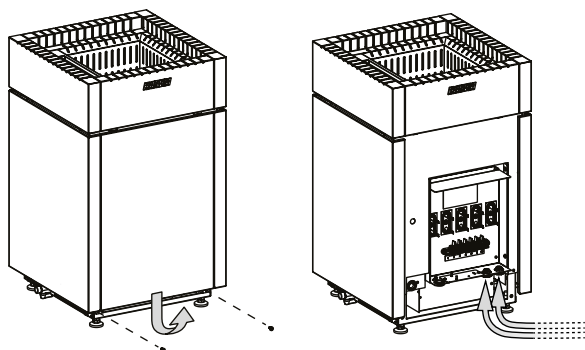
Bild 3b. Installera värmegivaren i taket

6.4. Elinstallation

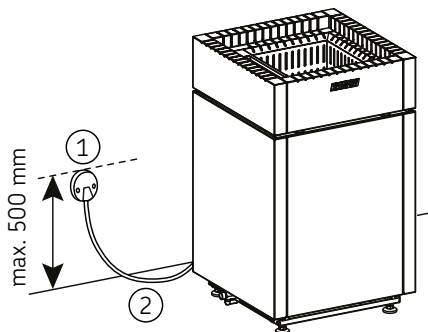


Bastuaggregatet får endast anslutas till elnätet av behörig elektriker i enlighet med gällande bestämmelser.

- Bastuaggregatet ansluts halvfast till kopplingsdosen på bastuväggen. Kopplingsdosen ska vara stänksäker och får inte vara mer än 500 mm över golvet.
- Anslutningskabeln ska vara av typen gummikabel H07RN-F eller motsvarande. OBS! Användning av en PVC-isolerad kabel som anslutningskabel för bastuaggregatet är förbjudet på grund av dess termiska bräcklighet.
- Om anslutnings- eller installationskablarna placeras i bastun eller inuti bastuväggarna på en höjd av mer än 1000 mm över golvet måste de tåla en temperatur på minst 170 °C under belastning (t.ex. silikonmantlade kablar). Elektrisk utrustning som installeras mer än 1000 mm över bastugolvet måste vara godkänd för användning vid en omgivningstemperatur på 125 °C (märkt T125).



SV



1. Kopplingsdosa

2. Kabel

Bild 4. Elinstallation

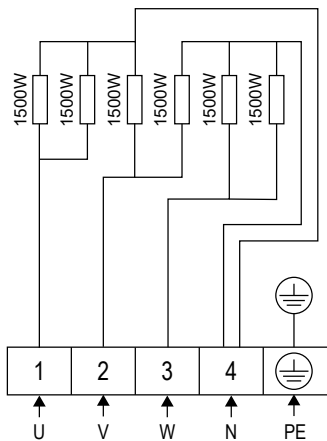


Bild 5. Kopplingsschema QU90E

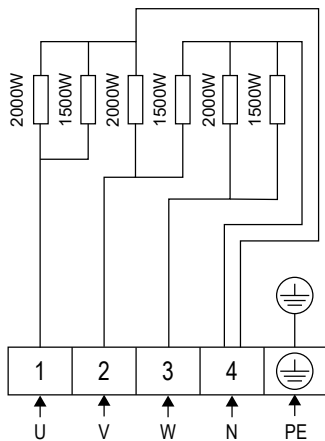


Bild 6. Kopplingsschema QU105E

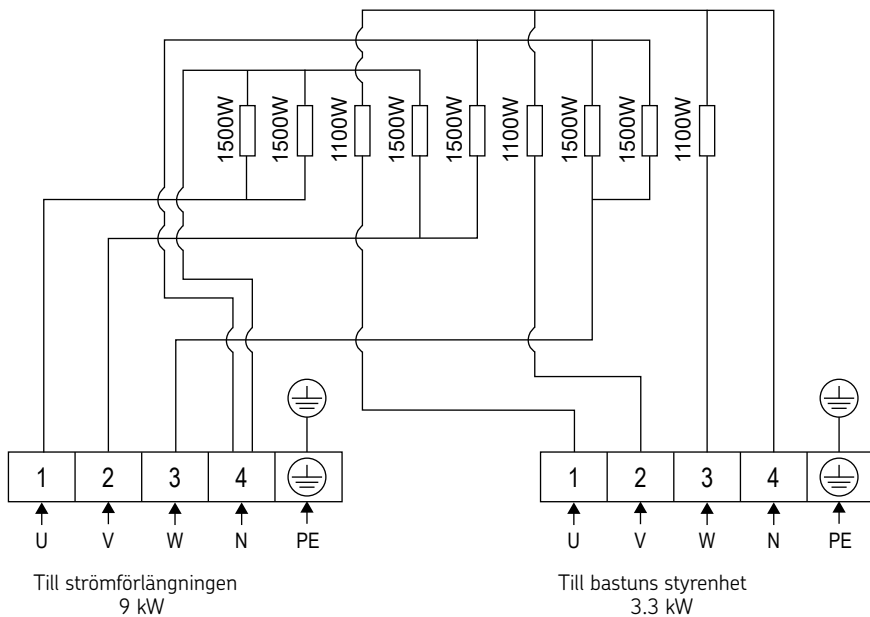


Bild 7. Kopplingsschema QU120E

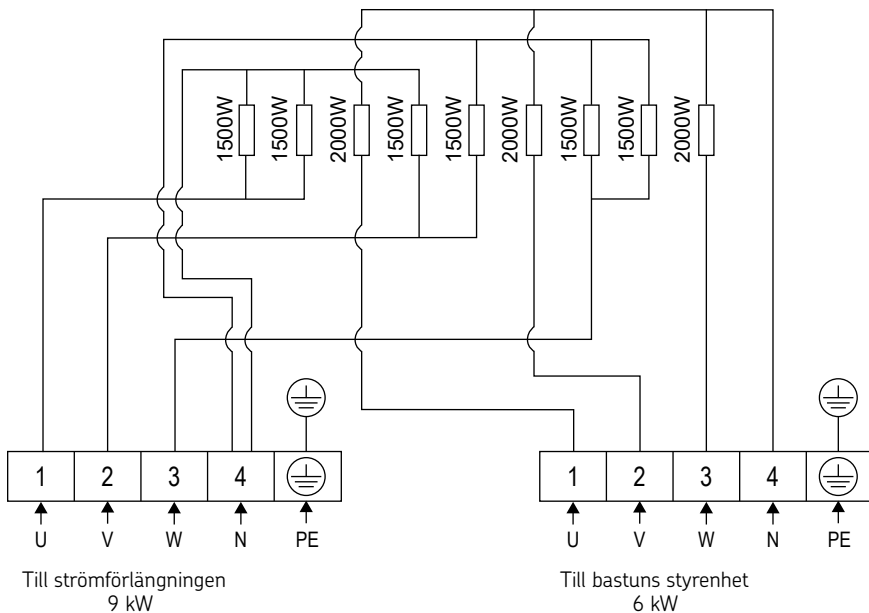


Bild 8. Kopplingsschema QU150E

SV

6.5. Isolationsresistans hos det elektriska bastuaggregatet



Det är inte tillåtet att ansluta den elektriska centralen till elvärmaren via en jordfelsbrytare!

Vid slutbesiktningen av elinstallationerna kan det hända att mätningen av bastuaggregatets isolationsresistans visar på "läckage" på grund av att luftfuktigheten absorberas (under förvaring/transport) in i värmeelementens isolermaterial. Fukt kan avlägsnas från värmeelementen efter ett par uppvärmningscykler.

6.6. Placering av bastustenar



Bastuaggregatets stenar är viktiga för aggregatets säkerhet. För att garantin ska förbli giltig är användaren ansvarig för att stenutrymmet underhålls korrekt och i enlighet med specifikationer och instruktioner.



Placera inga föremål eller anordningar i eller i närheten av bastuaggregatets stenmagasin som kan ändra mängden av eller riktningen på den luft som strömmar genom bastuaggregatet.



Om ett värmeelement inte omges av stenar kan det hetta upp material till brännheta temperaturer, även material som är utanför bastuaggregatets säkerhetsavstånd. Se till att inte värmeelementen syns bortom stenarna. Som användare är det du som bär ansvaret för att det utförs vederbörligt underhåll på stenmagasinet under bastuaggregatets hela livscykel.

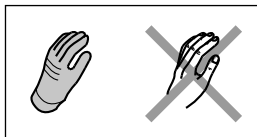
Viktig information om lämpliga bastustenar:

- Lämpliga material för bastustenar är peridotit, olivindiabas, olivin och vulkanit.
- Använd endast stenar med brottta och/eller rundade stenar med ditt bastuaggregat.
- Om värmeelementen i ett elektriskt bastuaggregat är i kontakt med stenarna så får rundade stenar enbart användas i stenutrymmets yttre lager, så att de inte kommer i kontakt med värmeelementen.
- Keramiska stenar och dekorativa stenar får bara användas om de har godkänts av tillverkaren och används enligt instruktionerna.
- Observera att dekorativa stenar enbart är lämpade att användas i stenutrymmets översta lager. Dekorativa stenar måste placeras löst för att säkerställa tillräcklig luftcirkulation. Lägg eventuella dekorativa stenar så att de inte vidrör värmeelementen på ett elektriskt bastuaggregat.
- Garantin täcker inte defekter som orsakats av användning av dekorativa stenar eller bastustenar som inte rekommenderas av tillverkaren.
- Skölj bort eventuellt stendamm från stenarna innan du placerar dem i aggregatet.

SV

Observera följande när du placerar ut stenarna:

- Börja med de största stenarna, och placera dem i botten och på sidorna. Därigenom säkerställs tillräcklig luftventilation och att det formas en stabil bas för stenmagasinet.
- Placera ut stenarna en efter en. Släpp inte ner dem i stenmagasinet.
- Stapla inte en hög med stenar på aggregatet. Stenarna kan nå upp till nivån för aggregatets luftkanaler. En alltför stor mängd stenar minskar ventilationen och försämrar aggregatets egenskaper.
- Vi rekommenderar att du har några extra stenar i lager för att kunna ersätta trasiga stenar, eller för att kunna placera ut fler om nivån av stenar blir lägre med tiden.



	QU90E	QU120E, QU150E
	Ø 5-10cm	Ø 5-10cm
	25kg	40kg

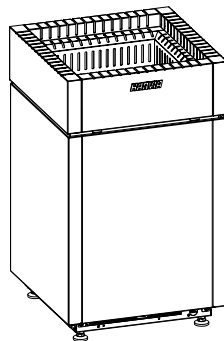
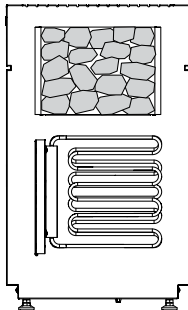
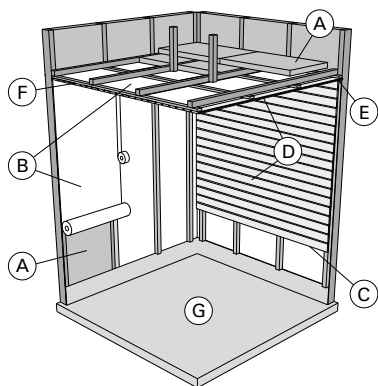


Bild 9. Placering av bastustenar

7. BASTURUMMET

7.1. Basturummets konstruktion



- A. Isoleringssull, tjocklek 50–100 mm. Bastun bör isoleras omsorgsfullt för att kunna hålla bastuaggregatets effekt relativt låg.
- B. Fuktspärr, till exempel aluminiumfolie. Placera foliens glansiga yta så att den ligger in mot bastun. Tejpa fogarna täta med aluminiumtejp.
- C. Cirka 10 mm bred ventilationsspringa mellan fuktspärr och panel (rekommendation).
- D. Lätt 12–16 mm tjock panel. Innan panelningen inleds ska du utreda anordningarnas elanslutningar samt väggförstärkningar som bastuaggregatet och lavarna kräver.
- E. Cirka 3 mm bred ventilationsspringa mellan vägg- och takpanel.
- F. Bastun har vanligtvis en höjd på 2 100–2 300 mm. Höjden på bastuaggregatet avgör minimihöjden (>Tekniska data). Avståndet mellan övre laven och taket ska vara högst 1 200 mm.
- G. Använd keramisk golvbeläggning och mörk fogmassa. Stenmaterial som lossat från stenarna och orenheter från badvattnet kan smutsa och/eller skada känsliga golvbeläggningar.

OBS! Konsultera brandmyndigheterna om vilka delar av brandväggen får isoleras. Rökkanaler som används får inte isoleras.

OBS! En direkt på väggen eller i taket monterad tändskyddande beklädnad kan orsaka brandfara.

OBS! Vatten som hamnar på bastugolvet ska ledas till en golvbrunn.

7.2. Aggregateffekt

När väggarna och taket är panelade och det finns en tillräcklig isolering bakom panelerna, fastställs effekten enligt bastuns yta. Väggytor utan isolering (tegel, glas, betong, kakel osv.) kräver ökad aggregateffekt. Öka bastuns yta med 1,2 m³ för varje oisolerad väggkvadratmeter. Till exempel motsvarar ett basturum på 10 m³ med glasdörr ett effektbehov för ett basturum på 12 m³. Om basturummet har stockväggar, multipliceras bastuns yta med 1,5. (5. Teknisk information)

7.3. Mörknande av bastuns väggar

Det är normalt att träytorna inne i bastun mörknar med tiden. Mörknandet kan försnabbas av

- solljus
- värmen från aggregatet
- skyddsmedel avsedda för väggytor (skyddsmedel tål värme dåligt)
- finfördelat stenmaterial som smulats från stenarna och förts med luftströmningar.

7.4. Ventilation i bastun



Temperaturgivaren ska alltid installeras på den plats som anges i bruksanvisningen. Om minimiavståndet till tilluftsventilen inte uppfylls, måste ventilationen ändras!



Placera inte tilluftsventilen så att luftströmmen kyler ner temperaturgivaren

- Luften i bastun borde bytas sex gånger per timme.
- **Fläktventilation:** Tilluftsventilen bör installeras i övre delen av bastun så att den inte påverkar temperaturgivarens funktion. (Bild 9. Minimiavstånd mellan tilluftsventil och temperaturgivare.)
- **Självdraagsventilation:** Tilluftsventilen bör installeras nedanför eller bredvid aggregatet. Tilluftsröret bör ha en diameter på 50–100 mm.
- Frånluftsventil. Placera frånluftsventilen så långt från aggregatet och så när golvet som möjligt. Frånluftsröret bör ha en diameter som är två gånger större än tilluftsrörets.
- Eventuell torkventil (stängd under uppvärmning och bad). Bastun kan också torkas genom att lämna dörren öppen efter badandet.
- Om frånluftsventilen är i badrummet bör bastudörren ha en springa på minst 100 mm nertill. Maskinell frånluftsventilation obligatorisk.

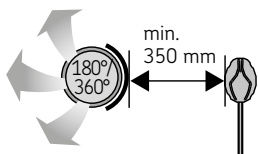
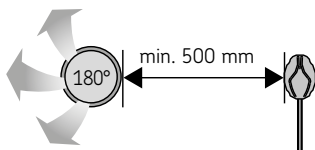
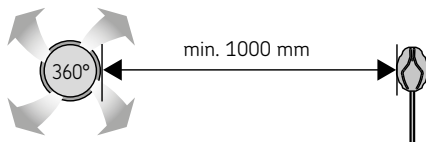


Bild 10. Minimiavstånd mellan tilluftsventil och temperaturgivare.

7.5. Hygien i basturummet

- Vi rekommenderar att sitthanddukar används i bastun så att inte svett rinner på lavarna.
- Tvätta bastuns lavar, väggar och golv omsorgsfullt med minst ett halvårs mellanrum. Använd skurborste och tvättmedel för bastu.
- Torka bort damm och smuts från aggregatet med en fuktig duk. Avlägsna kalkfläckar från aggregatet med 10 % citrönsyrelösning och skölj.

8. BRUKSANVISNING

8.1. Använda bastuaggregatet



Kontrollera alltid att det inte finns några föremål på eller i närheten av bastuaggregatet innan du slår på det.

- Bastuaggregatet styrs via en separat styrenhet. Se bruksanvisningen som medföljer styrenheten.
- Bastuaggregatet och stenarna avger lukt under den första användningen. För att få bort lukten krävs god ventilation i bastun.
- Om bastuaggregatet har rätt effekt för bastun värms en korrekt värmeisolerad bastu upp till badtemperatur på cirka en timme. Bastuaggregatets stenar värms vanligtvis upp på samma tid som bastun.
- En lämplig temperatur i bastun är 65-80 °C.

8.2. Kasta vatten



Använd inte en skopa som rymmer mer än 0,2 liter. Om alltför mycket vatten kastas eller hälls på bastuaggregatet på en och samma gång kan det stänka på badarna när det kokar upp.



När någon befinner sig i närheten av bastuaggregatet måste risk för brännskador undvikas genom att ingen kastar vatten på det just då.

- Luften i bastun torkar ut när bastun värms upp. Det är därför nödvändigt att öka luftfuktigheten genom att kasta vatten på bastuaggregatets stenar.
- Alla upplever vi effekterna av värme och luftfuktighet på vårt eget sätt. Experimentera dig fram för att hitta den temperatur och luftfuktighet som är rätt för just dig.
- Sikta endast på bastuaggregatets stenar när du kastar vatten.

8.3. Krav på vattenkvaliteten

- Det vatten som används i bastun ska uppfylla kvalitetskraven för hushållsvatten (Tabell 2.).
- Endast bastudoftor avsedda för bastuvatten får användas. Följ instruktionerna som medföljer bastudoften.

Vattnets egenskaper	Effekter	Rekommendation
Organisk förorening	Färg, smak, utfällningar	<12 mg/l
Järninnehåll	Färg, lukt, smak, utfällningar	<0,2 mg/l
Innehåll av mangan (Mn)	Färg, lukt, smak, utfällningar	<0,10 mg/l
Vattenhårdhet: huvudingredienserna är kalcium (Ca) och magnesium (Mg)	Utfällningar	Ca: <100 mg/l Mg: <100 mg/l
Kloridhaltigt vatten	Korrosion	Cl: <100 mg/l
Klorerat vatten	Hälsorisker	Förbjudet att använda
Havsvatten	Snabb korrosion	Förbjudet att använda
Arsenik- och radonkoncentrationer	Hälsorisker	Förbjudet att använda

Tabell 2.

8.4. Instruktioner för bastubad

- Inled bastubesöket med att tvätta dig.
- Sitt i bastun så länge du känner dig väl till mods.
- Sakta ner flödet av tankar och bara slappna av.
- Till god ton vid bastubadande hör att ta hänsyn till andra bastubadare utan att störa dem med högljutt beteende.
- Driv inte bort andra från bänkarna med överdrivet vattenkastande.
- Kyl ner din hud. Om du har ett friskt hälsotillstånd kan du njuta av att ta en simtur samtidigt som du också svalkar av dig.
- Tvätta dig som avslutning på bastubesöket.
- Vila och ge dig själv chansen att slå av på takten. Njut av en uppfriskande dryck för att återställa vätskebalansen.



Alla underhållsåtgärder som det krävs specialkunskaper för måste utföras av en utbildad fackman.

9.1. Bastustenar

- På grund av intensiv värmeväxling kommer bastuaggregatets stenar gradvis att försämrans och smulas sönder under användning. Byt ut bastuaggregatets stenar minst en gång om året, eller oftare om bastun används ofta.
- Ta samtidigt bort eventuellt ackumulerat stenavfall och byt ut eventuella trasiga stenar. Därigenom säkerställs att bastuaggregatets ångande egenskaper bibehålls och att det inte finns någon risk för överhettning.
- Kontrollera då och då om nivån av stenar har blivit lägre. Se till att inte värmeelementen börjas synas med tiden. Nivån av stenar kommer sannolikt att bli lägre cirka två månader efter det att stenarna har placerats ut.

9.2. Felsökning

Bastuaggregatet värmer inte upp

- Kontrollera att bastuaggregatets säkringar i elpanelen är hela.
- Kontrollera att stickkontakten för bastuaggregatets anslutningskabel är isatt i uttaget.
- Kontrollera att inte överhettningsskyddet har löst ut (se monteringsanvisningen för styrenheten).

Bastun värms upp långsamt. Vatten som hålls på bastuaggregatet kyls ner stenarna snabbt

- Kontrollera att bastuaggregatets säkringar i elpanelen är hela.
- Kontrollera att alla värmeelement glöder när bastuaggregatet är påslaget.
- Ställ in en högre temperatur (se monteringsanvisningen för styrenheten).
- Kontrollera att inte bastuaggregatets effekt är för låg.
- Kontrollera att ventilationen i bastun är korrekt arrangerad.

Bastun värms upp snabbt, men stenarna hinner inte bli varma. Vatten som kastas på bastuaggregatet avdunstar inte utan rinner genom stenmagasinet

- Kontrollera att inte bastuaggregatets effekt är för hög.
- Kontrollera att ventilationen i bastun är korrekt arrangerad.

Paneler eller annat material i närheten av bastuaggregatet mörknar snabbt

- Se till att kraven på säkerhetsavstånd är uppfyllda.
- Se till att inte värmeelementen syns bortom stenarna. Om de syns staplar du om stenarna och ser till att värmeelementen är helt täckta.
- Se även punkt (7.3. Mörknande av bastuns väggar).

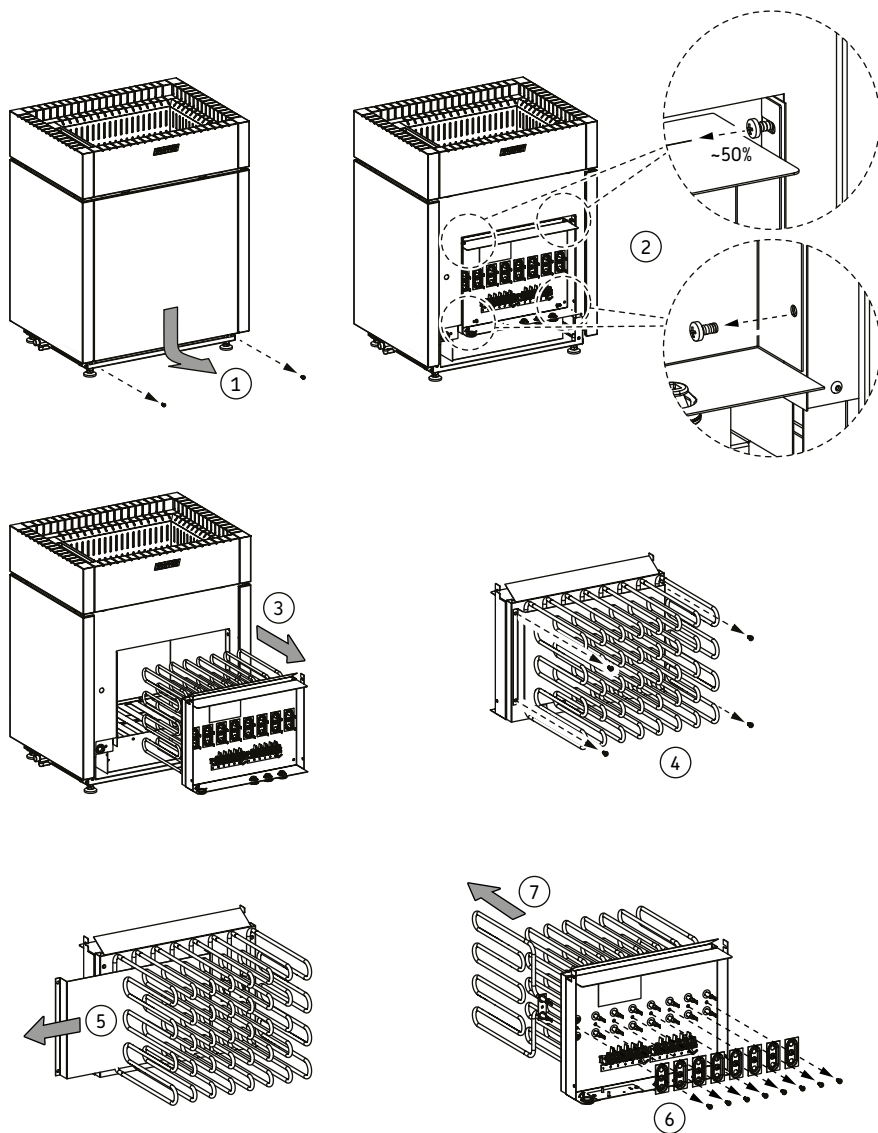
Bastuaggregatet avger en odör

- Se punkt (8.1. Använda bastuaggregatet)
- Ett varmt bastuaggregat kan förstärka odörer som blandas i luften, men bastun eller aggregatet producerar inte själva lukter. Exempel: målarfärg, lim, eldningsolja och kryddor.

Bastuaggregatet producerar ljud

- Enstaka smållar orsakas vanligtvis av att stenar spricker på grund av hettan.
- Termisk utvidgning av bastuaggregatets delar kan orsaka ljud när bastuaggregatet värmer upp.

9.3. Byta värmelement



SV

Bild 11. Byta värmelement

10. RESERVDELAR

spareparts.harvia.com



11. GARANTIVILLKOR

www.harvia.com



SV

Harvia Qube

Elektrikeris

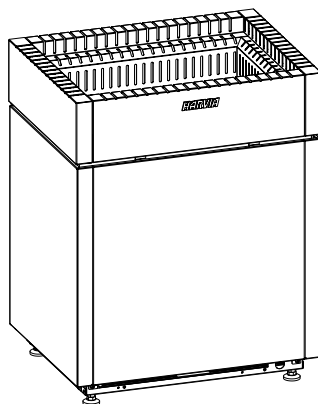
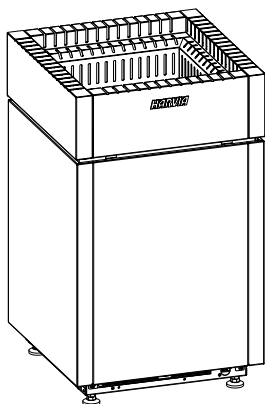
Paigaldus- ja kasutusjuhend

HARVIA

Sauna & Spa

Let's sauna.

Toote nr.	Tüüp	Võimsus
HQU904M	QU90E	9 kW
HQU1054M	QU105E	10.5 kW
HQU1204M	QU120E	12 kW
HQU1504M	QU150E	15 kW



ET



Palju õnne suurepärase saunakerise ostu puhul!

Harvia saunakeris töötab kõige paremini ja teenib teid pikka aega, kui seda kasutatakse ning hooldatakse selles juhendis kirjeldatu järgi. Palun lugege enne saunakerise paigaldamist või kasutamist juhend läbi. Hoidke juhend edaspidiseks kasutamiseks alles. Paigaldus- ja kasutusjuhendi leiab ka meie veebilehelt www.harvia.com.

SISUKORD

1. HOIATUSED JA MÄRKUSED	3
2. ENNE PAIGALDAMIST	7
3. KOMPLEKTI KUULUB	8
4. NÄIDE PAIGALDUSPAKETI KOHTA	8
5. TEHNILINE TEAVE	9
6. PAIGALDUSJUHEHD	11
6.1. Ohutuskaugused.....	11
6.2. Kerise paigaldamine.....	12
6.3. Juhtimiskeskuse ja andurite paigaldamine.....	13
6.4. Elektriühendused	14
6.5. Elektrikerise isolatsioonitakistus	16
6.6. Kerisekivide ladumine.....	17
7. LEILIRUUM.....	18
7.1. Leiliruumi konstruktsioon	18
7.2. Kerise võimsus.....	18
7.3. Leiliruumi seinte tumenemine.....	19
7.4. Leiliruumi ventilatsioon	19
7.5. Saunaruumi hügieen	20
8. KASUTUSJUHEHD	20
8.1. Kerise kütmine.....	20
8.2. Leili viskamine	20
8.3. Vee kvaliteedinõuded	21
8.4. Leilivõtmise juhised.....	21
9. REGULAARNE HOOLDUS JA KORRASHOID	22
9.1. Kerisekivid	22
9.2. Veaoosing	22
9.3. Kütteelementide vahetamine.....	23
10. VARUOSAD	24
11. GARANTIINGIMUSED	24

1. HOIATUSED JA MÄRKUSED



Enne seadme kasutamist lugege kõik hoiatused ja juhised hoolikalt läbi.



HOIATUS! Selle hoiatuse eiramine võib põhjustada raskeid vigastusi või surma.



ETTEVAATUST! Selle hoiatuse eiramine võib põhjustada kergeid või raskeid vigastusi.



Ärge katke kinni!

Paigaldamine

- Keris on mõeldud leiliruumi kütmiseks soovitud temperatuurini. Kasutamine mis tahes muul eesmärgil on keelatud. Juhtimiskeskus on mõeldud kerise ning juhtimiskeskuse saunafunktsioonide juhtimiseks. Kasutamine mis tahes muul eesmärgil on keelatud.
- Seadet tohib voluvõrku ühendada ainult kvalifitseeritud elektrik vastavalt kehtivatele eeskirjadele. Seadme paigaldamise eest vastutav isik peab enne paigaldustööde üleandmist andma kasutajale seadmega kaasas oleva paigaldus- ja kasutusjuhendi ning tagama vajaliku väljaõppe.
- Enne hooldustöid lahutage seade alati voluvõrgust!
- Kontrollige seadet enne paigaldamist ja kasutuselevõtmist nähtavate kahjustuste suhtes. Ärge kasutage kahjustustega toodet.
- Järgige alati kerise kasutusjuhendis märgitud väärtusi. Nende eiramine põhjustab tuleohtu.
- Leiliruumi võib paigaldada ainult ühe elektrikerise, välja arvatud kui juhendis on öeldud teisiti.
- Seade tuleb paigaldada nii, et hoiatustekstid jääksid pärast paigaldamist kergesti loetavaks.
- Kerist või seadet ei tohi paigaldada seinasüvendusse, välja arvatud kui juhendis on öeldud teisiti.
- Kui paigaldate kerise ümber kaitsepiirde, järgige kerise kasutusjuhendis toodud ohutuskaugusi.
- Kui soovite paigaldada seadmele lisatarvikuid, järgige alati iga konkreetse lisatarviku juhiseid nende paigaldamisel või kasutamisel.
- Tagage piisav ventilatsioon leiliruumis (õhuvahetus peaks toimuma kuus korda tunnis).

- Ärge paigutage õhu sisselaskeava nii, et õhuvool jahutaks soojusandurit (vaadake soojusanduri paigaldusjuhendit).
- Kui toitekaabel on kahjustatud, tohib selle mis tahes ohu vältimiseks välja vahetada ainult tootja või hooldustöötaja või muu kvalifitseeritud isik.
- PVC-isolatsiooniga kaablit ei tohi selle termilise tundlikkuse tõttu kerise ühenduskaablina kasutada.
- Kerise paigaldamisel kontrollige alati sauna harutoosi pistikühenduste seisukorda. Soovitame kasutada kruviühendusi. Vältige vedruga ühendusi!
- Elektrikerist ei tohi toitevõrku ühendada rikkevooluseadme kaudu.
- Kui seadet kasutatakse avalikus saunas, kus puudub taimer, tuleb toite märgutuli paigutada samasse ruumi, kus seadet kasutatakse.
- Paigaldamise ja kerisekivide lisamise ajal kandke alati kaitsekindaid.
- Katke kütteelemendid täielikult kividega; hõõguv paljas kütteelement võib olla tuleohtlik!
- Ärge pange kerise kivikambri lähedusse selliseid esemeid ega seadmeid, mis võivad muuta kerise kaudu liikuva õhuvoolu kogust või suunda.

Kasutamine ja leilivõtmine

- Seda seadet võivad kasutada 8-aastased või vanemad lapsed ja isikud, kellel on vähenenud füüsilised, sensoorsed või vaimsed võimed või kellel puuduvad kogemused ja teadmised, tingimusel, et neid juhendatakse või õpetatakse seadet ohutult kasutama ja nad mõistavad sellega seotud riske.
- Lapsed ei tohi seadmega mängida. Lapsed ei tohi seadet ilma järelvalveta puhastada ega seadet hooldada.
- Olge ettevaatlik, kui keris on kuum. Saunakerise kivid ja metallosad on piisavalt kuumad, et tekitada nahapõletusi.
- Enne kerise sisselülitamist kontrollige alati, et kerise peal või läheduses ei oleks esemeid.
- Tagage esimestel kasutuskordadel piisav ventilatsioon, sest keris võib tekitada lõhna.
- Ärge visake või valage korraka liiga palju vett sauna kerisele, sest muidu võivad tekkida põletavad pritsmed.
- Ärge visake sauna kerisele vett, kui keegi on selle lähedal.
- Ärge kasutage kulpi, mille mahutavus on üle 0,2 liitri.
- Ärge kasutage muud tüüpi vett kui seda, mis on määratletud kerise kasutusjuhendis.

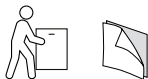
- Kui kasutate vees saunaarome, siis kasutage ainult saunavees kasutamiseks mõeldud arome ja järgige nende kasutusjuhiseid.
- Pikaajaline viibimine kuumas saunas tõstab kehatemperatuuri, mis võib olla ohtlik.
- Hoidke lapsed kerisest eemal.
- Ärge jätke lapsi, liikumispuudega isikuid, haigeid või muul moel nõrku inimesi sauna üksi.
- Konsulteerige arstiga, kui teil on mingeid tervislikke piiranguid seoses sauna kasutamisega.
- Olge saunas liikudes ettevaatlik, sest saunalauad ja põrandapinnad võivad olla libedad.
- Ärge minge kuuma sauna, kui olete alkoholi, ravimite, narkootikumide või muude uimastavate ainete mõju all.
- Ärge magage köetud saunas.
- Mereline kliima ja muu niiske kliima võib korrodeerida kerise metallpindu.
- Tulekahjuohu tõttu ärge kasutage sauna pesu kuivatamiseks. Kõrge õhuniiskus võib kahjustada ka elektriseadmeid.
- Ärge vajutage ülekuumenemiskaitse lähtestamiseks lähtestamisnuppu enne, kui on kindlaks tehtud kaitse käivitumise põhjus. Ülekuumenemiskaitset tohib lähtestada ainult kvalifitseeritud hooldustehnik, välja arvatud kui juhendis on öeldud teisiti.
- Kui töötamisaeg on lõppenud, kontrollige, et keris oleks kindlasti välja lülitatud ja enam ei küta.
- Kerisest langevad kuumad kivipurutükid võivad kahjustada põrandakatteid ja põhjustada tulekahjuohtu.
- Avalikes saunades, kus kerist kasutatakse ilma taimerita või pidevalt kauem kui kerise taimer või tehasesätetega juhtimiskeskus seda lubab, tuleb seadmel alati silm peal hoida.
- Leiliruumi ja kerise ümbrust tuleks alati enne kerise uuesti sisselülitamist või selle kaugjuhtimise teel sisselülitamist kontrollida.
- Leiliruumi ja kerise ümbrust tuleb kontrollida alati enne seadme kaugjuhtimiseks ooterežiimi panekut või ajastatud tööd.
- Elektriküttega keriste tootestandardi IEC/EN 60335-2-53 kohaselt võib kerise juhtimiseks ja reguleerimiseks kasutada kaugkäivitus-funktsiooniga juhtseadmeid, kui kerisele või leiliruumi uksele on paigaldatud vastav ohutuse väljalülitusmehhanism (uks või ohutustüliti).

Hooldus

- Kõiki erioskusi nõudvaid hooldustöid peab tegema väljaõppe saanud spetsialist.
- Eemaldage keriselt aeg-ajalt niiske lapiga tolm ja mustus. Vajaduse korral kasutage õrnatoimelisi pesuvahendeid. Ärge puhastage voolava veega.
- Enne puhastamist veenduge, et seade on täielikult maha jahtunud.
- Vähemalt kord aastas laduge kivid uuesti või asendage katkised kivid uutega.

2. ENNE PAIGALDAMIST

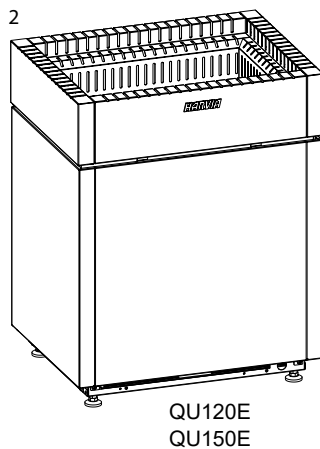
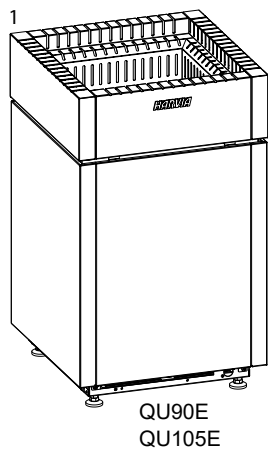
- Kerist tuleb alati transportida püstises asendis.
- Kerist saab tõsta ja liigutada, toetades seda väliskorpusest.
- Enne kasutamist eemaldage keriselt kaitsekile.



Kerise paigaldamise kontrollnimekiri

- Veenduge, et keris oleks terve. Ärge kasutage defektset saunakerist. Andke tarnijale teada kõigist transpordikahjustustest.
- Keris on võimsuse ja tüübi poolest sobiv kõnealusele leiliruumile. Leiliruumi mahuväärtusi ei tohi ületada ega jätta täitmata (5. Tehniline teave) (7.2. Kerise võimsus)
- Toite pinge sobib kerise jaoks.
- Kerise paigalduskoht vastab minimaalsetele ohutuskaugustele. (6.1. Ohutuskaugused)
- Temperatuurianduri/ülekuumenemiskaitse asukoht on kerisepõhine. Veenduge, et andur on paigaldatud vastavalt juhistele.
- Veenduge, et kerisekivid oleksid paigutatud juhiste järgi.
- Kui tuleb paigaldada lisatarvikuid, järgige tootepõhiseid paigaldus- ja kasutusjuhiseid.
- Veenduge, et juhtimiskeskus ühildub kerisega. Uusimate juhtimiskeskuste mudelite ühilduvust saate kontrollida veebilehel Harvia.com.
- Hoidke see kasutusjuhend edaspidiseks kasutamiseks alles.

3. KOMPLEKTI KUULUB

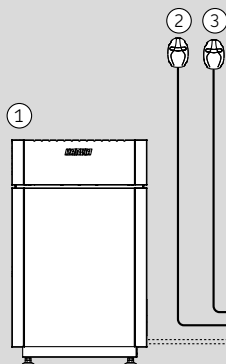


1. Keris

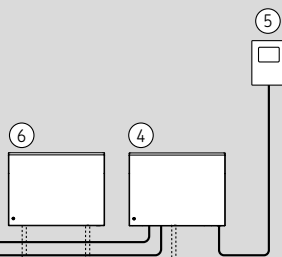
2. Paigaldus- ja kasutusjuhend

4. NÄIDE PAIGALDUSPAKETI KOHTA

A



B



A. Leiliruum

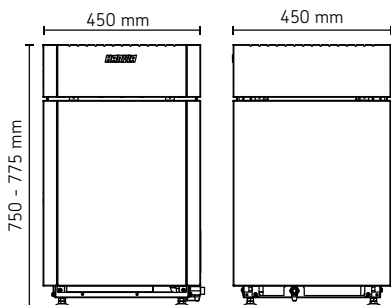
1. Keris
2. Temperatuuriandur
3. Istmeandur

B. Kuiv ruum

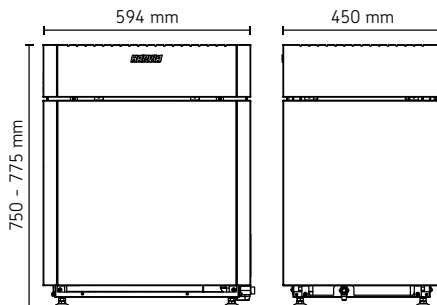
4. Juhtseade
5. Juhtpaneel
6. Võimsuse laiendus (valikuline, tuleb kasutada, kui 2 gruppi või rohkem kui 11kW)

5. TEHNILINE TEAVE

QU90E, QU105E



QU120E, QU150E



PAIGALDUSANDMED				
	QU90E	QU105E	QU120E	QU150E
Kerise võimsus (kW)	9	10.5	12	15
Tööpinge	400 V 3N- 230 V 1N-	400 V 3N- 230 V 1N-	400 V 3N-	400 V 3N-
Elektrilised rühmad	1 rühm	1 rühm	2 rühma	2 rühma
Sagedus (Hz)	50 / 60	50 / 60	50 / 60	50 / 60
Toitekaabel	5 x 2.5 mm ²	5 x 2.5 mm ²	5 x 2.5 mm ²	5 x 2.5 mm ²
Ühenduskaabli tüüp	H07RN-F või samaväärne	H07RN-F või samaväärne	H07RN-F või samaväärne	H07RN-F või samaväärne
Kaitseklass	IPX4	IPX4	IPX4	IPX4
Hoiukoha temperatuur	0-50°C	0-50°C	0-50°C	0-50°C
KIVID				
	QU90E	QU105E	QU120E	QU150E
Kivide suurus (cm)	Ø 5-10	Ø 5-10	Ø 5-10	Ø 5-10
Kivide kogus (kg)	25	25	40	40
DIMEN MÕÕDUD SIONS				
	QU90E	QU105E	QU120E	QU150E
Kõrgus (mm)	750 - 775	750 - 775	750 - 775	750 - 775
Laius (mm)	450	450	594	594
Sügavus (mm)	450	450	450	450
Mass (kg)	34	34	40	40

ET

LEILIRUUM				
	QU90E	QU105E	QU120E	QU150E
Leiliruumi ruumala (m³)	9-14	10-15	14-18	18-25
Minimaalne leiliruumi kõrgus (mm)	1900	1900	1900	1900
HEAKSIIIDETUD TARVIKUD				
	QU90E	QU105E	QU120E	QU150E
Kaitsepiire	QUBE-L5 QUBE-W5	QUBE-L5 QUBE-W5	QUBE-L6 QUBE-W6	QUBE-L6 QUBE-W6
SFE ohutusseadmed	SFE-500500	SFE-500500	SFE-500500	SFE-500500
ÜHILDUVAD JUHTIMISKESKUSED				
	QU90E	QU105E	QU120E	QU150E
Vaadake uusimaid juhtimiskeskuse mudelid meie veebilehelt harvia.com	FX110 CX110 C105VKK Pro B2 Pro C2 Pro D2 Pro D2i	FX110 CX110 C105VKK Pro B2 Pro C2 Pro D2 Pro D2i	FX170 CX170 C105VKK *) Pro B2 *) Pro C2 *) Pro D2 *) Pro D2i *)	FX170 CX170 C105VKK *) Pro B2 *) Pro C2 *) Pro D2 *) Pro D2i *)
VÕIMENDI *)				
	QU90E	QU105E	QU120E	QU150E
Vaadake uusimaid võimendi mudelid meie veebilehelt harvia.com	LTY17 0-S2-18 0-S2-18S	LTY17 LO-S2-18 0-S2-18S	LTY17 0-S2-18 0-S2-18S	LTY17 0-S2-18 0-S2-18S
*) valikuline, tuleb kasutada, kui 2 gruppi või rohkem kui 11kW				

ET

Tabel 1. Tehniline teave

6. PAIGALDUSJUHEND



Järgige alati kerise kasutusjuhendis märgitud väärtusi. Nende eiramine põhjustab tuleohtu.



Leiliruumi võib paigaldada ainult ühe elektrikerise, välja arvatud kui juhendis on öeldud teisiti.

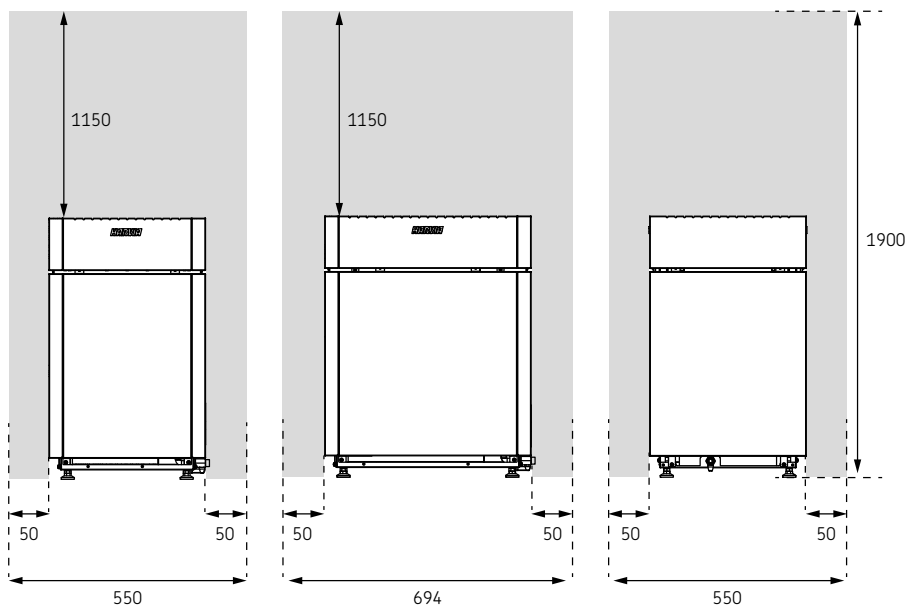


Seade tuleb paigaldada nii, et hoiatustekstid jääksid pärast paigaldamist kergesti loetavaks.

6.1. Ohutuskaugused

- Minimaalsed ohutuskaugused põlevatest materjalidest on näidatud joonisel (Joonis 1. Ohutuskaugused).
- Kui kerise ümber paigaldatakse kaitsepiire, tuleb pidada silmas joonisel (Joonis 1. Ohutuskaugused) või kaitsepiirde paigaldusjuhendis antud ohutuskaugusi.

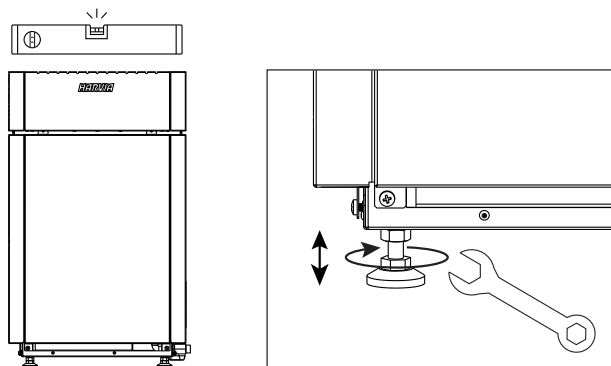
(min. mm)



ET

Joonis 1. Ohutuskaugused

6.2. Kerise paigaldamine



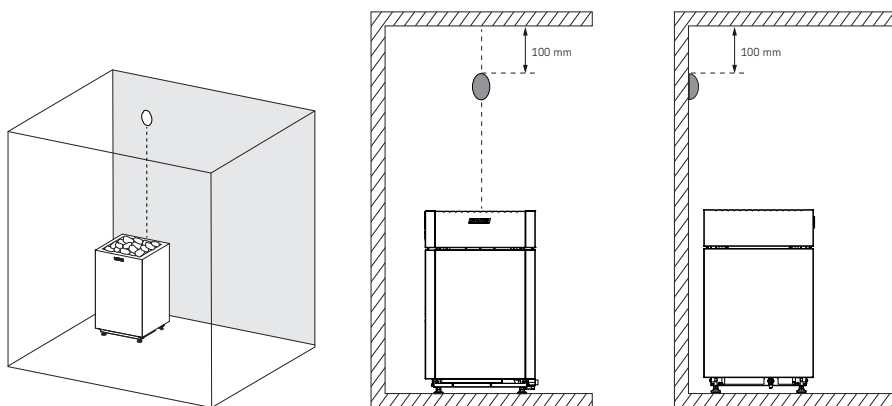
Joonis 2. Kerise paigaldamine

6.3. Juhtimiskeskuse ja andurite paigaldamine



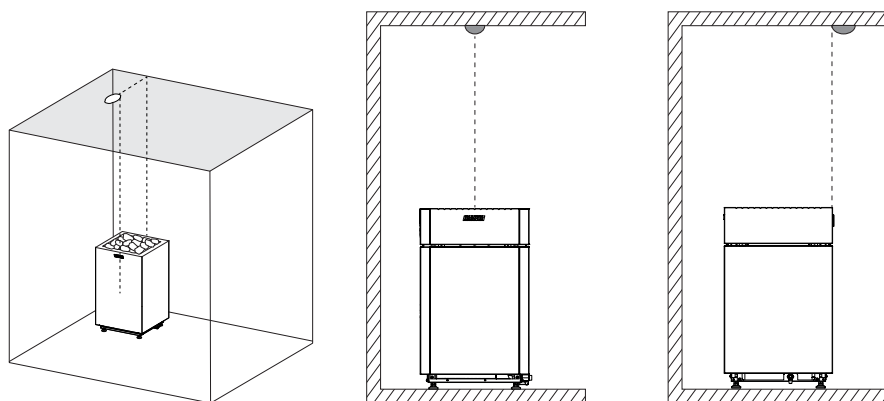
Ärge paigutage õhu sisselaskeava nii, et õhuvool jahutab soojusandurit.

- Juhtimiskeskusega on kaasas üksikasjalik juhend selle seinale paigaldamise kohta.
- Paigaldage soojusandur, nagu on näidatud illustatsioonil. Kui keris on paigaldatud seinast kaugemale kui 150 mm, tuleb andur paigaldada lakke.



Joonis 3a. Soojusanduri paigaldamine seinale

ET



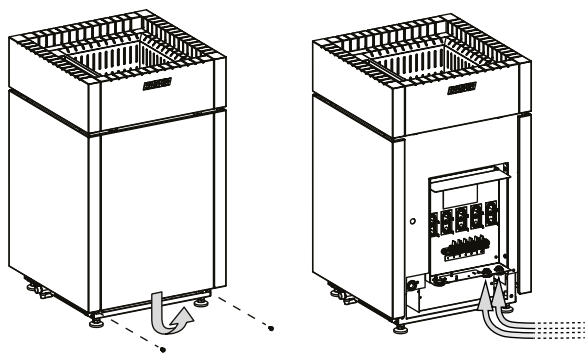
Joonis 3b. Soojusanduri paigaldamine lakke

6.4. Elektriühendused

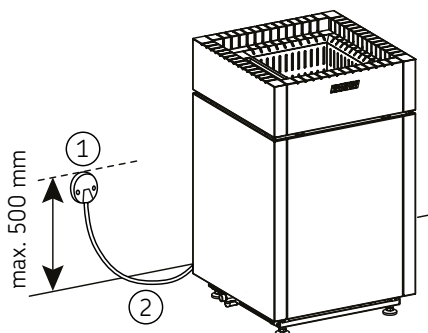


Kerist tohib vooluvõrku ühendada ainult kvalifitseeritud elektrik vastavalt kehtivatele eeskirjadele.

- Keris ühendatakse poolstatsioonarselt leiliruumi seina harutoosi. Harutoos peab olema pritsmekindel ega tohi paikneda põrandast enam kui 500 mm kõrgusel.
- Ühenduskaabel peaks olema kummist kaablitüüpi H07RN-F või samaväärne. NB! PVC-isolatsiooniga kaablit ei tohi selle termilise tundlikkuse tõttu kerise ühenduskaablina kasutada.
- Kui ühenduskaablid või paigalduskaablid on paigutatud leiliruumis või leiliruumi seintes enam kui 1000 mm kõrgusele põrandast, peavad need taluma koormuse all vähemalt 170 °C temperatuuri (nt silikoonisolatsiooniga kaablid). Elektriseadmed, mis on paigaldatud enam kui 1000 mm kõrgusele leiliruumi põrandast, peavad olema heaks kiidetud kasutamiseks keskkonnatemperatuuril 125 °C (tähisega T125).

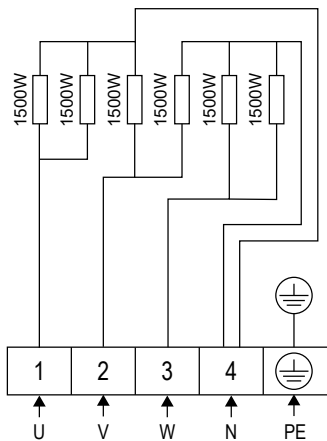


ET

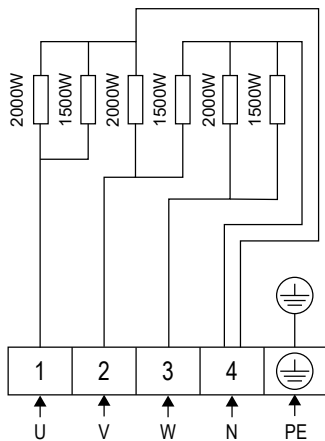


1. Harukarp

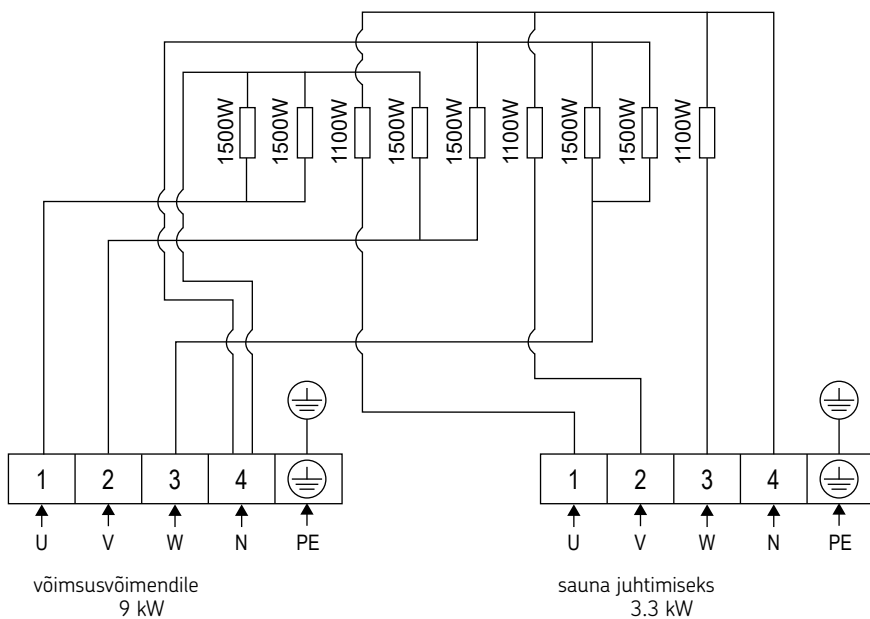
2. Kaabel



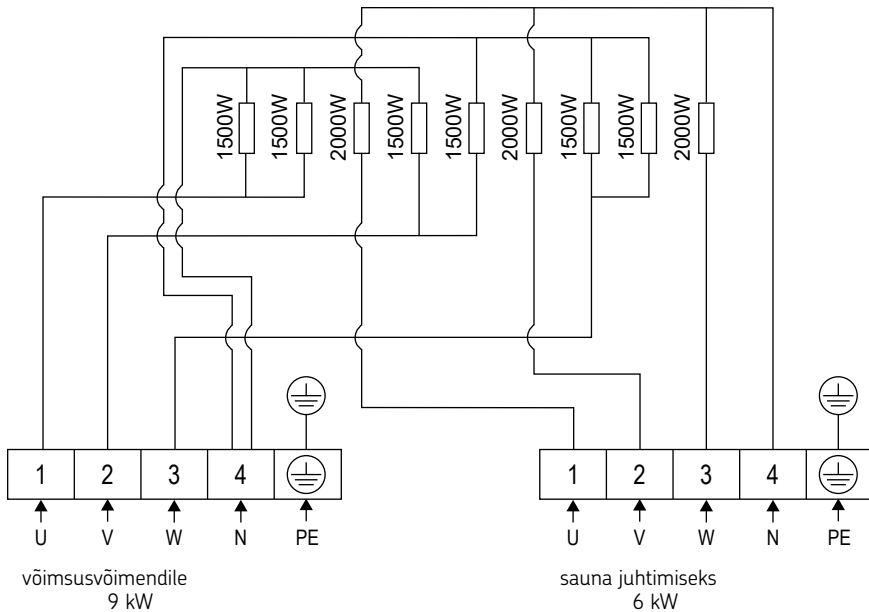
Joonis 5. Elektriskeem QU90E



Joonis 6. Elektriskeem QU105E



Joonis 7. Elektriskeem QU120E



Joonis 8. Elektriskeem QU150E

6.5. Elektrikerise isolatsioonitakistus

ET



Elektrikerist ei tohi toitevõrku ühendada rikkevooluseadme kaudu!

Elektripaigaldiste lõppkontrolli käigus võib kerise isolatsioonitakistuse mõõtmisel ilmnedä „leke“, mis tuleneb (ladustamise/transpordi ajal) õhuniiskuse imbumisest kütteelementide isolatsioonimaterjalidesse. Pärast paari küttemistsükli saab niiskuse kütteelementidelt eemaldada.

6.6 Kerisekivide ladumine



Kerisekivid on kerise ohutuse oluline osa. Kasutaja vastutab kivikambri nõuetekohase, spetsifikatsioonidele ja juhistele vastava hoolduse eest. Selle tegemata jätmine või vale teostus muudab garantii kehtetuks.



Ärge asetage kerise kivikambrisse või selle lähedusse esemeid ega seadmeid, mis võivad muuta kerisest läbi voolava õhu kogust või suunda.



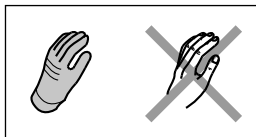
Kui kütteelemendid ei ole korralikult kividega ümbritsetud, võivad läheduses asuvad materjalid ohtlikult kuumaks minna, seda ka väljaspool kerise ohutuskaugust. Jälgige, et kütteelemente ei oleks kivide vahelt näha. Kasutaja vastutab selle eest, et kivikamber oleks kogu kerise elutsükli jooksul korralikult hooldatud.

Oluline kerisekivide sobivust puudutav teave

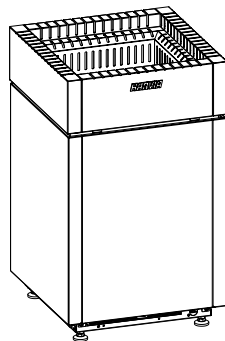
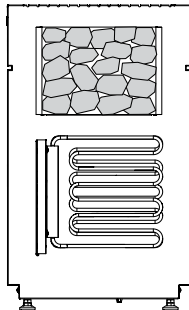
- Kerisekivideks sobivad kivimid nagu peridotiit, oliivin-diabaas, oliivin ja vulkaniit.
- Kasutage kerises ainult nurgelise pinnaga ja/või ümaraid kive.
- Kui elektrikerise kütteelemendid on kividega otseses kokkupuutes, tohib ümaraid kive kasutada ainult kivikambri väliskihis, vältimaks nende kokkupuudet kütteelementidega.
- Keraamilisi ja dekoratiivkive tohib kasutada ainult siis, kui need on tootja poolt heaks kiidetud ja kasutamisel järgitakse tootja antud juhiseid.
- Dekoratiivkivid sobivad kasutamiseks ainult kivikambri pealmise kihina. Piisava õhuringluse tagamiseks tuleb dekoratiivkivid laduda hõredalt. Paigutage dekoratiivkivid nii, et need ei puutuks kokku elektrikerise kütteelementidega.
- Garantii ei kata defekte, mis on tekkinud dekoratiivkivide või tootja poolt heaks kiitmata kerisekivide kasutamisest.
- Enne kivide kerisesse ladumist loputage neilt maha võimalik tolm.

Kivide paigutamisel arvestatavad nõuded

- Alustage suurematest kividest ja asetage need põhja ja külgedele. See tagab piisava õhu liikumise ja loob kivikambrile kindla aluse.
- Laduge kive ükshaaval. Ärge visake neid kivikambrisse.
- Ärge tekitage kerisele suurt kivihuja. Kivid võivad ulatuda kerise õhukanalite tasemeni. Liiga suur hulk kive vähendab õhu liikumist ja kahjustab kerise toimivust.
- Soovitame hoida varuks mõned lisakivid, et asendada purunenud kive või lisada mõni kivi, kui kivid aja jooksul pisut kokku vajuvad.



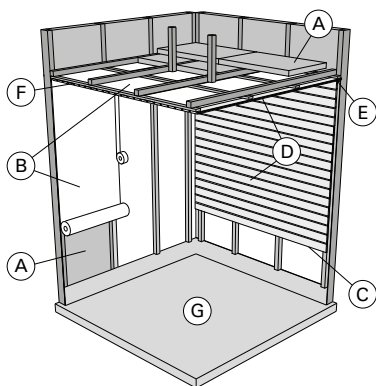
	QU90E	QU120E,
	QU105E	QU150E
	Ø 5-10cm	Ø 5-10cm
	25kg	40kg



Joonis 9. Kerisekivide ladumine

7. LEILIRUUM

7.1. Leiliruumi konstruktsioon



- A. Isolatsioonivill, paksus 50–100 mm. Leiliruum tuleb hoolikalt isoleerida, et hoida kerise võimsust mõõdukall tasemel.
- B. Niiskuskaitse, nt alumiiniumpaber. Paberi läikiv külg peab jääma sauna poole. Tihendage vahed alumiiniumteibiga.
- C. Niiskustõkke ja voodrilaua vahele peab jääma umbes 10 mm ventilatsioonivahe (soovitav).
- D. Kerge 12–16 mm paksune voodrilaud. Kontrollige enne voodrilaudade paigaldamist elektrikaableid ning tugevdusi seina, mis on vajalikud kerise ja saunalava paigaldamisel.
- E. Seina ja laelaudade vahele peab jääma umbes 3 mm ventilatsioonivahe.
- F. Sauna kõrgus on tavaliselt 2100–2300 mm. Miinimumkõrgus sõltub kerisest. Vahe saunalava ülemise astme ja lae vahel ei tohi ületada 1200 mm.
- G. Kasutage keraamilisest materjalist valmistatud põrandakatteid ja tumedat vuugisegu. Kerisekividest pärit peened osakesed ja mustus leilivees võivad tekitada plekke ja/või kahjustusi õrnematele põrandakatetele.

ET

TÄHELEPANU! Uurige tuleohutuse eest vastutavatelt ametivõimudelt, milliseid tulemüüri osasid võib isoleerida. Kasutusel olevaid korstnaid ei tohi isoleerida.

TÄHELEPANU! Kerged kaitseplaadid, mis on paigaldatud otse seinale või lakke, võivad põhjustada süttimisohu.

TÄHELEPANU! Sauna põrandale tuleb vesi tuleb suunata põranda äravoolukaevu.

7.2. Kerise võimsus

Kui seinad ja lagi on kaetud voodrilaudadega ja voodrilaudade taga on piisav isolatsioon, määrab kerise võimsuse sauna ruumala. Isoleerimata seinad (telliskivi, klaasplokk, klaas, betoon, põrandaplaadid, jne.) suurendavad kerise võimsuse vajadust. Lisage 1,2 m³ sauna ruumalale iga isoleerimata seina ruutmeetri kohta. Näiteks 10 m³ saunaruum, millel on klaasuks, vastab 12 m³ saunaruumi võimsuse vajadusele. Kui saunaruumil on palkseinad, korrutage sauna ruumala 1,5-ga. (5. Tehniline teave)

7.3. Leiliruumi seinte tumenemine

See on täiesti normaalne, et leiliruumi puitpinnad muutuvad ajajooksul tumedamaks. Tumenemist võivad kiirendada:

- päikesevalgus
- kuumus kerisest
- seinakaitsevahendid (kaitsevahendid taluvad halvasti kuumust)
- kerisekividest pudenevad peened kiviosakesed, mis tõusevad õhuvooluga õhku.

7.4. Leiliruumi ventilatsioon

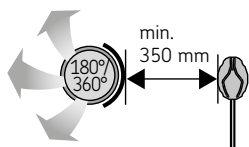
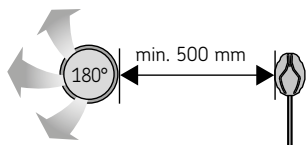
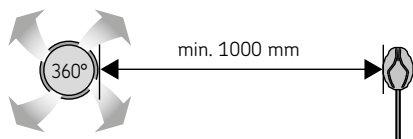


Temperatuuriandur tuleb alati paigaldada ettenähtud kohta! Kui andur ei jää sel juhul sissepuhkeõhu ventilatsiooniavast nõutavale kaugusele, tuleb ventilatsiooni muuta!



Ärge paigaldage õhu juurdevoolu nii, et õhuvool jahutaks temperatuuriandurit

- Saunaruumi õhk peab vahetuma kuus korda tunni jooksul.
- **Mehaaniline ventilatsioon.** Sissepuhkeõhu ventilatsiooniava peab asuma sauna ülemises osas, et see ei segaks temperatuurianduri tööd. (Joonis 9. Ventilatsiooniava minimaalne kaugus andurist.)
- **Surveventilatsioon.** Sissepuhkeõhu ventilatsiooniava tuleb paigaldada saunakerise alla või kõrvale. Sissepuhkeõhu ventilatsiooniava läbimõõt peab jääma vahemikku 50 kuni 100 mm.
- Õhu väljatõmbeava. Paigaldage õhu väljatõmbeava põranda lähedale, kerisest võimalikult kaugemale. Õhu väljatõmbeava läbimõõt peaks olema õhu juurdevoolutorust kaks korda suurem.
- Valikuline kuivatamise ventilatsiooniava (suletud kütmise ja saunaskäigu ajal). Sauna saab kuivatada ka saunaskäigu järel ust lahti jättes.
- Kui õhu väljatõmbeava on pesuruumis, peab saunaruumi ukse all olema vähemalt 100 mm vahe. Mehaaniline väljatõmbeventilatsioon on kohustuslik.



SASP0105 Õhusuunaja
(Lisavarustus)



Joonis 10. Ventilatsiooniava minimaalne kaugus andurist.

7.5. Saunaruumi hügieen

- Soovitame saunaskäimisel kasutada istumisaluseid, et takistada higi sattumist saunalava istmetele.
- Sauna istmeid, seinu ja põrandat tuleb korralikult pesta vähemalt üks kord poole aasta jooksul. Kasutage küürimisharja ja saunapuhastusvahendit.
- Pühkige tolm ja mustus keriselt niiske lapiga. Eemaldage keriselt katlakivi plekid 10 % sidrunhappe lahusega ning loputage.

8. KASUTUSJUHEND

8.1. Kerise kütmine



Enne kerise sisselülitamist kontrollige alati, et kerise peal või läheduses ei oleks esemeid.

- Kerist juhitakse eraldi juhtimiskeskuse kaudu. Palun vaadake juhtimiskeskusega kaasasolevat kasutusjuhendit.
- Keris ja kivid tekitavad esimese kasutuskorra ajal lõhnu, mille eemaldamiseks on vaja leiliruumi head ventilatsiooni.
- Kui keris on leiliruumi jaoks sobiva võimsusega, soojeneb õigesti soojustatud leiliruum kasutustemperatuurini umbes tunniga. Kerisekivid soojenevad tavaliselt sama kiiresti kui leiliruum.
- Leiliruumi sobiv temperatuur on vahemikus ligikaudu 65–80 °C.

8.2. Leili viskamine



Ärge kasutage kulpi, mille mahutavus on üle 0,2 liitri. Kui kerisele visatakse või valatakse korraga liiga palju vett, võib see pritsida leiliruumis viibijaid ja kõrvetada.



Põletuste vältimiseks ärge visake kerisele vett, kui keegi on selle lähedal.

- Leiliruumi õhk kuivab sauna kütmisel. Seetõttu on vaja suurendada niiskust, visates kerisekividele vett.
- Igaüks kogeb kuumuse ja niiskuse mõju omal moel – endale sobiva temperatuuri ja niiskus leiata proovimise teel.
- Proovige vett visata ainult kerisekividele.

8.3. Vee kvaliteedinõuded

- Saunas kasutatav vesi peab vastama majapidamisvee kvaliteedinõuetele (Tabel 2.).
- Kasutada tohib ainult leilivee jaoks ettenähtud aroome. Järgige aroomidega kaasasolevaid juhiseid.

Vee omadused	Toime	Soovitus
Orgaaniline saaste	Värvus, maitse, sade	< 12 mg/l
Rauasisaldus	Värvus, lõhn, maitse, sade	<0,2 mg/l
Mangaanisisaldus (Mn)	Värvus, lõhn, maitse, sade	< 0,10 mg/l
Vee karedus: peamised koostisosad on kaltsium (Ca) ja magneesium (Mg)	Sade	Ca: < 100 mg/l Mg: < 100 mg/l
Kloorine vesi	Korrosioon	Cl: < 100 mg/l
Klooritud vesi	Terviserisk	Kasutamine keelatud
Merevesi	Kiire korrosioon	Kasutamine keelatud
Arseeni ja radooni kontsentratsioonid	Terviserisk	Kasutamine keelatud

Tabel 2.

8.4. Leilivõtmise juhised

- Alustage saunaskäiku enda pesemisest.
- Istuge saunas nii kaua, kuni see teie jaoks mugav on.
- Rahustage oma meelt ja lõdvestuge.
- Heade saunakommete hulka kuulub ka teistele saunakasutajatele tähelepanu pööramine ja nendega arvestamine.
- Ärge ajage liigse leiliviskamisega teisi lavalt maha.
- Jahutage oma nahka. Kui olete terve, võite jahtumiseks nautida suplust.
- Pärast saunaskäiku peske end puhtaks.
- Puhake ja rahunege. Nautige värskendavat jooki, et taastada oma vedelikutasakaal.



Kõiki erioskusi nõudvaid hooldustöid peab tegema väljaõppe saanud spetsialist.

9.1. Kerisekivid

- Intensiivse termotsükli tõttu kerisekivid aja jooksul kuluvad ja muutuvad kasutamise käigus pudedaks. Vahetage kerisekive vähemalt kord aastas või sagedamini, kui sauna väga tihti kasutatakse.
- Samal ajal eemaldage kogu kogunenud kivipraht ja asendage kõik purunenud kivid. See tagab, et saunakerise leiliomadused säilivad ja ei ole ülekuumenemise ohtu.
- Kontrollige aeg-ajalt, kas kivide tase pole langenu. Jälgige, et kütteelemendid aja jooksul kivide vahelt paistma ei hakkaks. Kivide tase muutub tõenäoliselt madalamaks umbes kahe kuu jooksul pärast nende ladumist.

9.2. Veotsing

Keris ei lähe soojaks

- Kontrollige, et kerise kaitsmed elektrikilbis oleksid terved.
- Kontrollige, et kerise ühenduskaabel oleks ühendatud.
- Kontrollige, et ülekuumenemiskaitse ei oleks rakendunud (vaadake juhtimiskeskuse paigaldusjuhiseid).

Leiliruum soojeneb aeglaselt. Kerisele visatud vesi jahutab kivid kiiresti maha.

- Kontrollige, et kerise kaitsmed elektrikilbis oleksid terved.
- Kontrollige, kas kõik kütteelemendid hõõguvad, kui keris on sisse lülitatud.
- Seadke temperatuur kõrgemaks (vt juhtimiskeskuse paigaldusjuhendit).
- Kontrollige, et kerise võimsus poleks liiga madal.
- Kontrollige, et leiliruumi ventilatsioon oleks õige.

Leiliruum soojeneb liiga kiiresti, kuid kivil pole aega soojeneda. Kerisele visatud vesi ei aurustu, vaid voolab läbi kivikambri.

- Kontrollige, ega kerise võimsus pole liiga kõrge.
- Kontrollige, et leiliruumi ventilatsioon oleks õige.

Kerise läheduses olevad paneelid ja muud materjalid tumenevad kiiresti.

- Veenduge, et ohutuskauguse nõuded oleksid täidetud.
- Jälgige, et kütteelemente ei oleks kivide vahelt näha. Kui kütteelemente on näha, laduge kivid uuesti ja veenduge, et kütteelemendid on täielikult kaetud.
- Vt ka punkti (7.3. Leiliruumi seinte tumenemine).

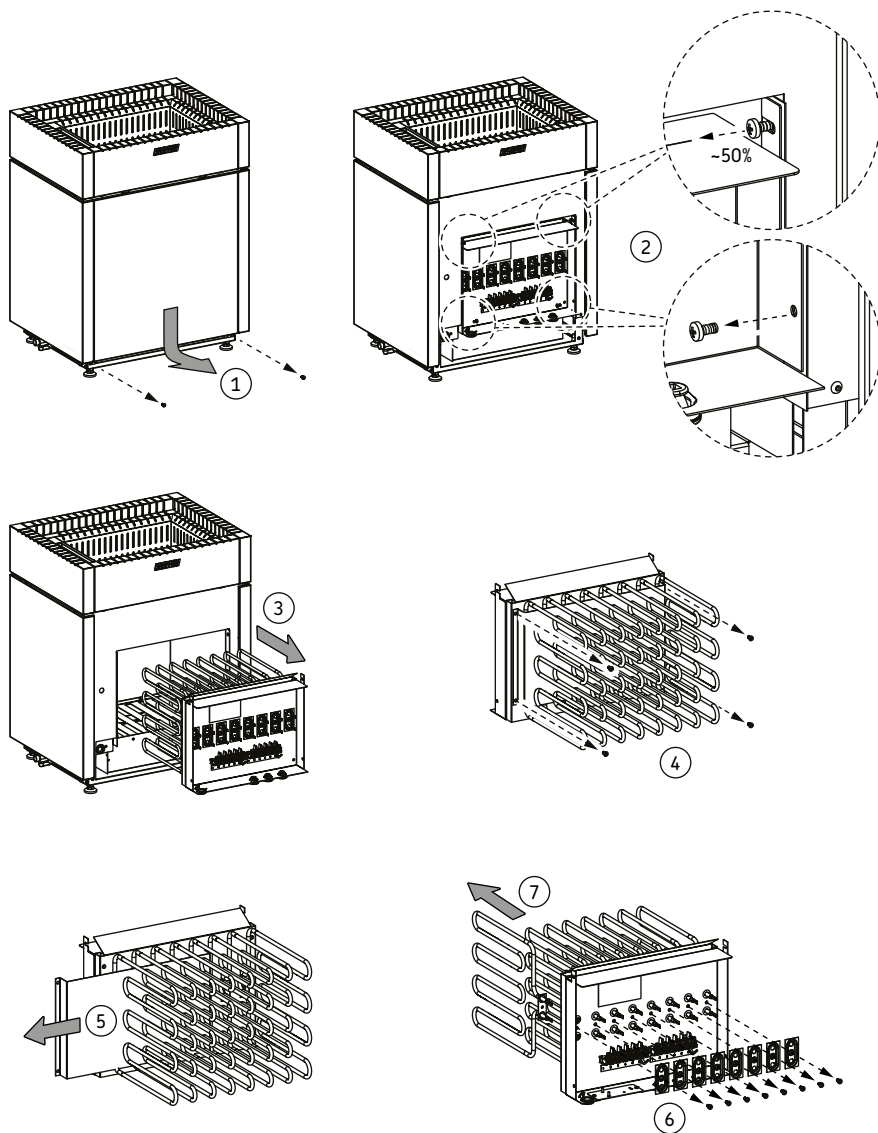
Keris eritab lõhna

- Vt punkt (8.1. Kerise kütmine)
- Kuum saunakeris võib intensiivistada õhus olevaid lõhnu, kuid saun või keris ise ei tekita lõhna. Näited: värvid, liimid, kütteõli ja vürtsid.

Keris tekitab müra

- Aeg-ajalt esinevad paugud tekivad tavaliselt kuumuse mõjul lõhenevatest kividest.
- Kerise osade termiline paisumine võib kerise soojenemisel põhjustada helisid.

9.3. Kütteelementide vahetamine



ET

Joonis 11. Kütteelementide vahetamine

10. VARUOSAD

spareparts.harvia.com



11. GARANTIITINGIMUSED

www.harvia.com



Harvia Qube

Elektriskais pirts sildītājs

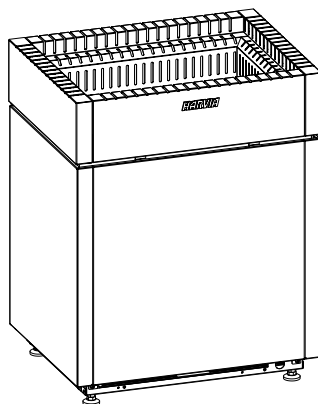
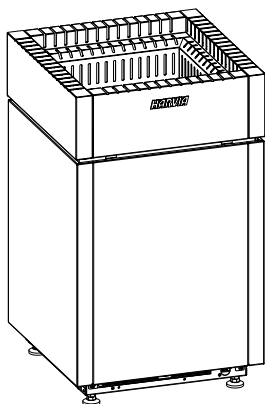
Montāžas un lietošanas instrukcija

HARVIA

Sauna & Spa

Let's sauna.

Izstrādājums Nr.	Tips	Jauda
HQU904M	QU90E	9 kW
HQU1054M	QU105E	10.5 kW
HQU1204M	QU120E	12 kW
HQU1504M	QU150E	15 kW



LV



Apsveicam ar lielisko pirts sildītāja izvēli!

Harvia pirts sildītājs darbosies vislabāk un kalpos ilgi, ja to izmantosiet un uzturēsiet, kā aprakstīts šajā rokasgrāmatā. Pirms pirts sildītāja uzstādīšanas vai lietošanas izlasiet instrukciju. Saglabājiet rokasgrāmatu turpmākai uzziņai. Uzstādīšanas un lietošanas instrukcijas varat atrast arī mūsu tīmekļvietnē www.harvia.com.

SATURS

1. BRĪDINĀJUMI UN PIEZĪMES	3
2. PIRMS UZSTĀDĪŠANAS	7
3. IEPAKOJUMA SATURS	8
4. MONTĀŽAS PAKOTNES PIEMĒRS	8
5. TEHNISKĀ INFORMĀCIJA	9
6. MONTĀŽAS INSTRUKCIJA	11
6.1. Droši attālumi	11
6.2. Pirts sildītāja uzstādīšana	12
6.3. Vadības ierīces un sensoru uzstādīšana	13
6.4. Elektroapgādes pieslēgumi	14
6.5. Elektriskā pirts sildītāja izolācijas pretestība	16
6.6. Saunas akmeņu novietojums	17
7. KARSĒTAVA	18
7.1. Karsētavas struktūra	18
7.2. Pirts sildītāja jauda	18
7.3. Pirts sienas kļūst tumšākas	19
7.4. Ventilācija karsētavā	19
7.5. Karsētavas higiēna	20
8. LIETOŠANAS INSTRUKCIJA	20
8.1. Pirts sildītāja lietošana	20
8.2. Ūdens liešana	20
8.3. Prasības ūdens kvalitātei	21
8.4. Pēršanās instrukcijas	21
9. REGULĀRA APKOPE UN UZTURĒŠANA	22
9.1. Pirts sildītāja akmeņi	22
9.2. Problēmu novēršana	22
9.3. Sildelementu maiņa	23
10. REZERVES DAĻAS	24
11. GARANTIJAS NOTEIKUMI	24

1. BRĪDINĀJUMI UN PIEZĪMES



Pirms ierīces lietošanas, lūdzu, rūpīgi izlasiet brīdinājumus un norādījumus.



BRĪDINĀJUMS! Šī brīdinājuma neievērošana var izraisīt smagas fiziskas traumas vai nāvi.



PIESARDZĪBU! Šī brīdinājuma neievērošana var izraisīt vieglas vai pat smagas fiziskas traumas.



Aizliegts apsegt sildītāju!

Uzstādīšana

- Pirts krāsns ir paredzēta karsētavas uzsildīšanai līdz vajadzīgajai temperatūrai. Lietošana jebkādā citā nolūkā ir aizliegta. Vadības ierīce ir paredzēta pirts sildītāja un ar to saistīto funkciju vadīšanai. Lietošana jebkādā citā nolūkā ir aizliegta.
- Saskaņā ar spēkā esošajiem noteikumiem tikai kvalificēts elektriķis drīkst pieslēgt ierīci elektrotīklam. Personai, kas atbild par ierīces uzstādīšanu, pirms darbu nodošanas jānodrošina lietotājam uzstādīšanas un lietošanas instrukcija, kas pievienota ierīcei, un jāveic nepieciešamā apmācība.
- Pirms apkopes veikšanas vienmēr atvienojiet ierīci no elektrotīkla!
- Pirms uzstādīšanas un nodošanas ekspluatācijā pārbaudiet, vai ierīcei nav redzamu bojājumu. Neizmantojiet bojātu ierīci.
- Vienmēr ņemiet vērā pirts sildītāja lietošanas instrukcijā norādītās vērtības. Novirzes no tām izraisa ugunsbīstamību.
- Pirtī ir atļauts uzstādīt tikai vienu elektrisko sildītāju, ja vien instrukcijā nav norādīts savādāk.
- Ierīce jāuzstāda tā, lai pēc uzstādīšanas brīdinājuma teksti būtu viegli salasāmi.
- Pirts sildītāju vai ierīci nedrīkst uzstādīt sienas padziļinājumā, ja vien lietošanas instrukcijā nav norādīts citādi.
- Ja ap pirts sildītāju ir uzstādīta aizsargmarga, jāievēro norādījumos par sildītāja ekspluatāciju minētie drošie attālumi.
- Ja vēlaties uzstādīt ierīces piederumus, tos uzstādot vai lietojot, vienmēr ievērojiet katra konkrētā piederuma instrukciju.
- Nodrošiniet atbilstošu ventilāciju karsētavā (gaiss apmaiņai jānotiek sešas reizes stundā).

- Nenovietojiet pieplūdes gaisa ventilācijas atveri tā, lai gaisa plūsma dzesētu siltuma sensoru (skatiet siltuma sensora uzstādīšanas instrukciju).
- Ja elektroapgādes vads ir bojāts, tā nomainīta ir jāveic ražotājam, apkopes pārstāvim vai citai kvalificētai personai, lai novērstu jebkādu bīstamību.
- Pirts sildītāja savienojuma kabelim ir aizliegts izmantot kabeli ar PVC izolāciju, jo tas ir termiski trausls.
- Uzstādot pirts sildītāju, vienmēr pārbaudiet pirts sadales kārbas savienotāju stāvokli. Iesakām izmantot skrūvju savienotājus. Ir aizliegts izmantot atsperes savienotājus!
- Nepieslēdziet strāvas padevi elektriskajam sildītājam, izmantojot strāvas ķēdes pārtraucēju.
- Ja ierīci izmanto sabiedriskajā pirtī bez taimera, strāvas indikatora lampiņa jānovieto telpā, no kuras ierīce tiek izmantota.
- Uzstādīšanas un apkopes laikā, kā arī pievienojot saunas akmeņus, vienmēr valkājiet aizsargcimdus.
- Pilnībā pārklājiet sildelementus ar akmeņiem; kvēlojošs neapsegts sildelements var izraisīt ugunsbīstamību!
- Pirts sildītāja akmeņu laukumā vai tā tuvumā nenovietojiet nekādas priekšmetus vai ierīces, kas varētu mainīt caur sildītāju plūstošā gaisa daudzumu vai virzienu.

Pirts lietošana un pāršanās

- Bērni no 8 gadu vecuma, kā arī personas ar ierobežotām fiziskajām, maņu vai garīgajām spējām vai nepietiekamu pieredzi un zināšanām drīkst lietot šo ierīci, ja tās tiek uzraudzītas vai instruētas par drošu lietošanu un izprot ar to saistītos riskus.
- Bērni nedrīkst spēlēt ar ierīci. Bērni nedrīkst tīrīt ierīci vai veikt ierīces apkopi bez uzraudzības.
- Ievērojiet piesardzību, rīkojoties ar pirts sildītāju, kad tas ir karsts. Pirts sildītāja akmeņi un metāla daļas ir pietiekami karstas, lai apdedzinātu ādu.
- Pirms sildītāja ieslēgšanas vienmēr pārlicinieties par to, ka uz pirts sildītāja vai tā tuvumā nav priekšmetu.
- Pirmajās reizēs, kad pirts sildītājs tiek uzkarsēts, nodrošiniet atbilstošu ventilāciju, jo pirts sildītājs var radīt nepatīkamu aromātu.
- Nelejiet vai neteciniet uz pirts sildītāja uzreiz pārāk daudz ūdens, jo tas var izraisīt applaucējošas šļakatas.
- Nelejiet ūdeni uz pirts sildītāja, ja kāds atrodas tā tuvumā.
- Neizmantojiet kausu, kura tilpums ir lielāks par 0,2 litriem.

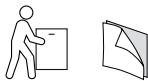
- Neizmantojiet cita veida ūdeni, kā tikai to, kas minēts norādījumos par pirts sildītāja lietošanu.
- Ja ūdenim pievienojat pirts smaržvielas, izmantojiet tikai tādas smaržvielas, kas paredzētas pirts ūdenim, un ievērojiet norādījumus par to lietošanu.
- Ilgstoša uzturēšanās karstā pirtī paaugstina ķermeņa temperatūru, kas var būt bīstami.
- Turiet bērnus atstatu no pirts sildītāja.
- Neatstājiet bērnus, cilvēkus ar kustību traucējumiem, slimus vai citādi nevarīgus cilvēkus pirtī vienus.
- Konsultējieties ar ārstu, ja jums ir kādi ar pirts lietošanu saistīti veselības ierobežojumi.
- Ievērojiet piesardzību, pirtī pārvietojoties, jo pirts soli vai grīdas virsmas var būt slidenas.
- Neejiet karstā pirtī alkohola, medikamentu, narkotiku vai citu apreibinošu vielu ietekmē.
- Neguliet sakarsētā pirtī.
- Jūras klimats un citi mitri klimatiskie apstākļi var izraisīt pirts sildītāja metāla virsmu koroziju.
- Ņemot vērā ugunsgrēka risku, neizmantojiet pirti kā veļas žāvēšanas telpu. Elektroierīces var sabojāt arī liels mitrums.
- Neizslēdziet pārkaršanas aizsardzību, nospiežot atiestatīšanas pogu, kamēr nav noskaidrots ieslēgšanās iemesls. Pārkaršanas aizsardzību drīkst atiestatīt tikai kvalificēts servisa tehniķis, ja vien instrukcijās nav norādīts citādi.
- Pēc noteiktā darbības laika beigām pārbaudiet, vai pirts sildītājs ir izslēdzies un pārtraucis sildīšanu.
- No pirts sildītāja krītošas karstas akmens šķembas var sabojāt grīdas segumu un izraisīt ugunsbīstamību.
- Publiskajās pirtīs, kur pirts sildītājs tiek izmantots bez taimera vai ilgāk bez pārtraukuma, nekā atļauj rūpnīcā iestatītais taimeris uz pirts sildītāja vai vadības ierīces, ierīce ir nepārtraukti jāuzrauga.
- Pirms pirts sildītāja atkārtotas ieslēgšanas vai ieslēgšanas no at-tāluma vienmēr jāpārbauda karsētava un pirts sildītāja apkārtnē.
- Karsētava un pirts sildītāja vide vienmēr ir jāpārbauda, pirms ierīce tiek pārslēgta gaidīšanas režīmā tālvadības pults vai iepriekš iestatī-tas darbības nodrošināšanai.
- Saskaņā ar izstrādājuma standartu IEC/EN 60335-2-53 elektriski apsildāmiem pirts sildītājiem, pirts sildītāja vadībai un regulēšanai var izmantot vadības ierīces ar tālvadības palaišanas funkciju, ja uz sildītāja vai pirts durvīm ir uzstādīts atbilstošs drošības izslēgšanas mehānisms (durvis vai drošības slēdzis).

Apkope

- Visas tehniskās apkopes darbības, kurām nepieciešamas īpašas prasmes, jāveic apmācītam profesionālim.
- Periodiski apslaukiet pirts sildītāju ar mitru lupatiņu, lai attīrītu to no putekļiem un netīrumiem. Izmantojiet saudzīgu tīrīšanas līdzekli. Tīrīšanas laikā neizmantojiet tekošu ūdeni.
- Pirms tīrīšanas sākšanas pārlicinieties, ka ierīce ir pilnībā atdzisusi.
- Vismaz reizi gadā mainiet akmeņu krāvumu un nomainiet bojātos akmeņus.

2. PIRMS UZSTĀDĪŠANAS

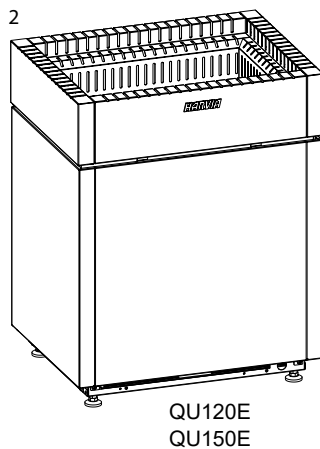
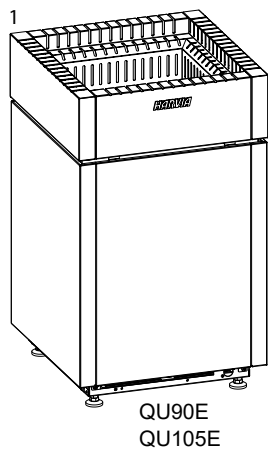
- Pirts sildītājs vienmēr jāpārvadā tikai vertikālā stāvoklī.
- Pirts sildītāju var celt un pārvietot, to balstot no ārējā apvalka.
- Pirms lietošanas noņemiet pirts sildītāja aizsargplēvi.



Pirts sildītāja uzstādīšanas kontrolsaraksts.

- Pārbaudiet, vai sildītājs nav bojāts. Nelietojiet bojātu pirts sildītāju. Ziņojiet piegādātājam par jebkādiem bojājumiem, kas radušies transportēšanas laikā.
- Pirts sildītājs ir piemērots attiecīgas jaudas un tipa karsētavai. Pirts tilpuma vērtības nedrīkst pārsniegt vai nesasnēgt. (5. Tehniskā informācija) (7.2. Pirts sildītāja jauda)
- Vai elektroapgādes tīkla spriegums ir piemērots pirts sildītājam?
- Pirts sildītāja uzstādīšanas vieta atbilst minimālajiem drošības attālumiem. (6.1. Droši attālumi)
- Temperatūras sensora/pārkaršanas aizsardzības atrašanās vieta ir atkarīga no pirts sildītāja. Pārliecinieties, ka sensors ir uzstādīts saskaņā ar norādījumiem.
- Pārliecinieties, ka pirts sildītāja akmeņi ir sakrauti atbilstoši instrukcijai.
- Ja ir jāuzstāda piederumi, ievērojiet konkrētā produkta montāžas un lietošanas instrukciju.
- Pārliecinieties, ka vadības ierīce ir saderīga ar pirts sildītāju. Jaunāko vadības ierīču modeļu saderību varat pārbaudīt vietnē Harvia.com.
- Lūdzu, saglabājiet šo rokasgrāmatu turpmākai uzziņai.

3. IEPAKOJUMA SATURS

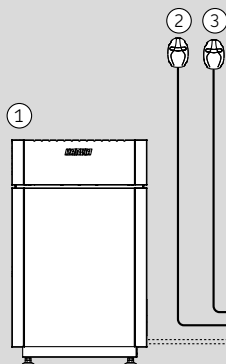


1. Pirts sildītājs

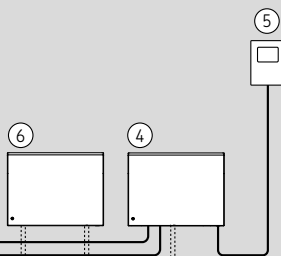
2. Montāžas un lietošanas instrukcija

4. MONTĀŽAS PAKOTNES PIEMĒRS

A



B



LV

A. Karsētava

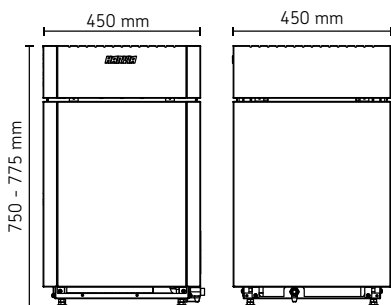
1. Pirts sildītājs
2. Temperatūras sensors
3. Sēdekļa sensors

B. Sausā telpa

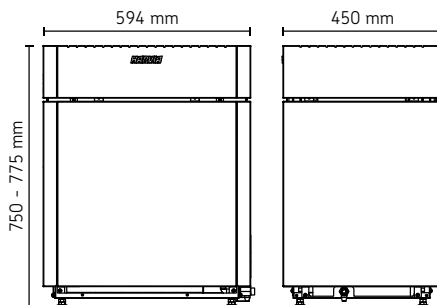
4. Vadības ierīce
5. Vadības panelis
6. jaudas pagarinājums (pēc izvēles, jāizmanto, ja ir 2 grupas vai vairāk nekā 11kW)

5. TEHNISKĀ INFORMĀCIJA

QU90E, QU105E



QU120E, QU150E



UZSTĀDĪŠANAS DATI

	QU90E	QU105E	QU120E	QU150E
Pirts sildītāja jauda (kW)	9	10.5	12	15
Darba spriegumi	400 V 3N- 230 V 1N-	400 V 3N- 230 V 1N-	400 V 3N-	400 V 3N-
Elektriskās grupas	1 grupa	1 grupa	2 grupas	2 grupas
Frekvence (Hz)	50 / 60	50 / 60	50 / 60	50 / 60
Barošanas kabelis	5 x 2.5 mm ²	5 x 2.5 mm ²	5 x 2.5 mm ²	5 x 2.5 mm ²
Savienojuma kabeļa veids	H07RN-F vai līdzvērtīgs	H07RN-F vai līdzvērtīgs	H07RN-F vai līdzvērtīgs	H07RN-F vai līdzvērtīgs
Aizsardzības klase	IPX4	IPX4	IPX4	IPX4
Uzglabāšanas temperatūra	0-50°C	0-50°C	0-50°C	0-50°C

AKMEŅI

	QU90E	QU105E	QU120E	QU150E
Akmeņu izmērs (cm)	Ø 5-10	Ø 5-10	Ø 5-10	Ø 5-10
Akmeņu daudzums (kg)	25	25	40	40

IZMĒRI

	QU90E	QU105E	QU120E	QU150E
Augstums (mm)	750 - 775	750 - 775	750 - 775	750 - 775
Platums (mm)	450	450	594	594
Dziļums (mm)	450	450	450	450
Svars (kg)	34	34	40	40

KARSĒTAVA				
	QU90E	QU105E	QU120E	QU150E
Telpas tilpums (m³)	9-14	10-15	14-18	18-25
Minimālais pirts augstums (mm)	1900	1900	1900	1900
APSTIPRINĀTI PIEDERUMI				
	QU90E	QU105E	QU120E	QU150E
Aizsargmargas	QUBE-L5 QUBE-W5	QUBE-L5 QUBE-W5	QUBE-L6 QUBE-W6	QUBE-L6 QUBE-W6
SFE drošības ierīces	SFE-500500	SFE-500500	SFE-500500	SFE-500500
SADERĪGĀS VADĪBAS IERĪCES				
	QU90E	QU105E	QU120E	QU150E
Skatiet jaunākos vadības ierīču modeļus mūsu vietnē www.harvia.com.	FX110 CX110 C105VKK Pro B2 Pro C2 Pro D2 Pro D2i	FX110 CX110 C105VKK Pro B2 Pro C2 Pro D2 Pro D2i	FX170 CX170 C105VKK *) Pro B2 *) Pro C2 *) Pro D2 *) Pro D2i *)	FX170 CX170 C105VKK *) Pro B2 *) Pro C2 *) Pro D2 *) Pro D2i *)
JAUDAS PALIELINĀŠANA *)				
	QU90E	QU105E	QU120E	QU150E
Skatiet jaunākos jaudas palielināšanas modeļus mūsu vietnē www.harvia.com.	LTY17 0-S2-18 0-S2-18S	LTY17 0-S2-18 0-S2-18S	LTY17 0-S2-18 0-S2-18S	LTY17 0-S2-18 0-S2-18S
*) pēc izvēles, jāizmanto, ja ir 2 grupas vai vairāk nekā 11kW				

LV

1. tabula. Tehniskā informācija

6. MONTĀŽAS INSTRUKCIJA



Vienmēr ņemiet vērā pirts sildītāja lietošanas instrukcijā norādītās vērtības. Novirzes no tām izraisa ugunsbīstamību.



Pirts telpā ir atļauts uzstādīt tikai vienu elektrisko sildītāju, ja vien nav norādīts savādāk.

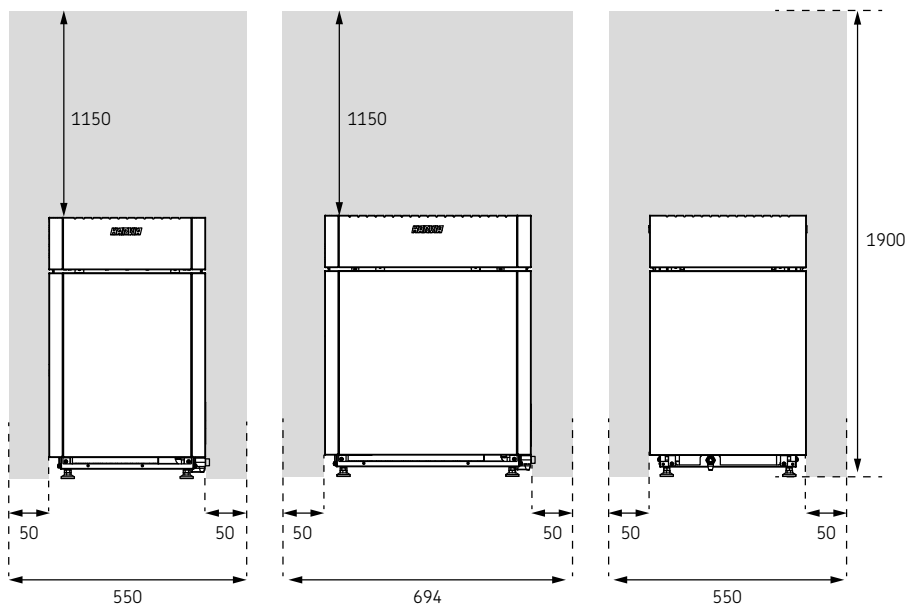


Ierīce jāuzstāda tā, lai pēc uzstādīšanas brīdinājuma teksti būtu viegli salasāmi.

6.1. Droši attālumi

- Minimālie aizsargattālumi līdz degošam materiālam ir parādīti (1. attēls. Droši attālumi). attēlā.
- Ja ap pirts sildītāju ir uzstādīta aizsargmarga, jāievēro (1. attēls. Droši attālumi). attēlā vai aizsargmargas uzstādīšanas instrukcijā norādītie drošības attālumi.

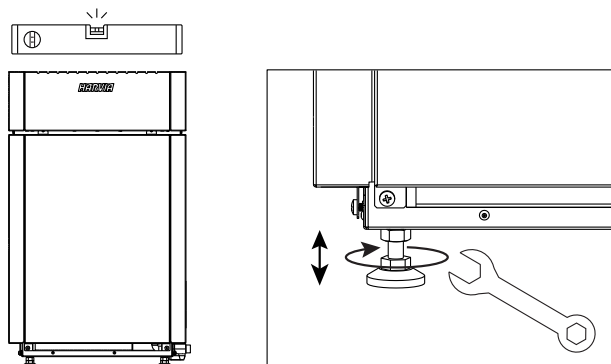
(min. mm)



LV

1. attēls. Droši attālumi

6.2. Pirts sildītāja uzstādīšana



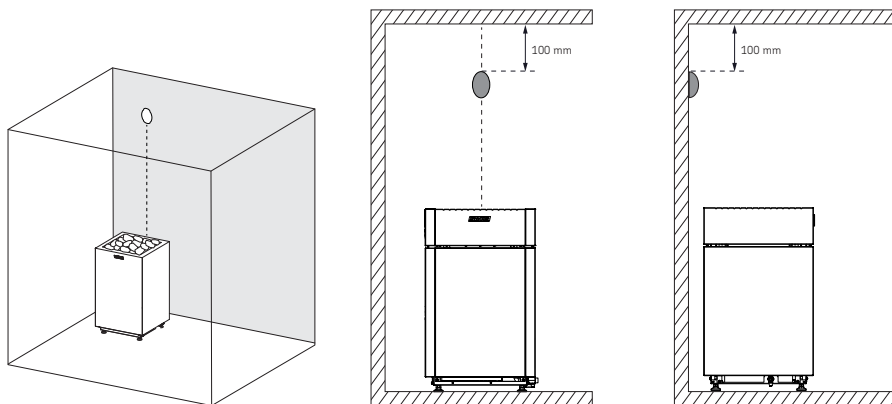
2. attēls. Pirts sildītāja uzstādīšana

6.3. Vadības ierīces un sensoru uzstādīšana

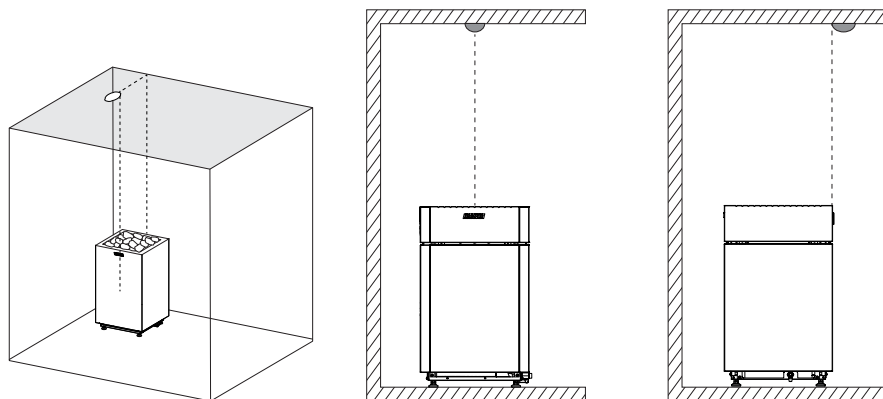


Nenovietojiet pieplūdes gaisa ventilācijas atveri tā, lai gaisa plūsma dzesētu siltuma sensoru.

- Vadības ierīcei ir pievienoti detalizēti norādījumi, kā to piestiprināt pie sienas.
- Uzstādiet siltuma sensoru, kā parādīts attēlā. Ja sildītājs tiek uzstādīts tālāk par 150 mm no sienas, sensors jāuzstāda pie griestiem.



3.a attēls. Siltuma sensora uzstādīšana pie sienas



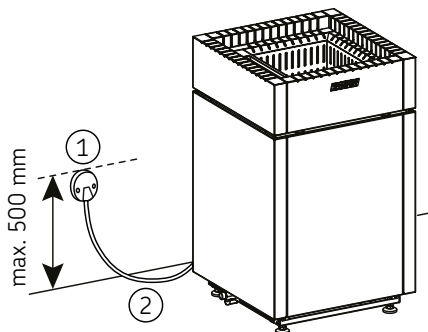
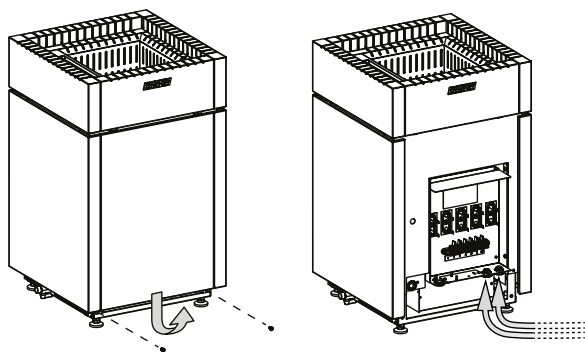
3.b attēls. Siltuma sensora uzstādīšana pie griestiem

6.4. Elektroapgādes pieslēgumi



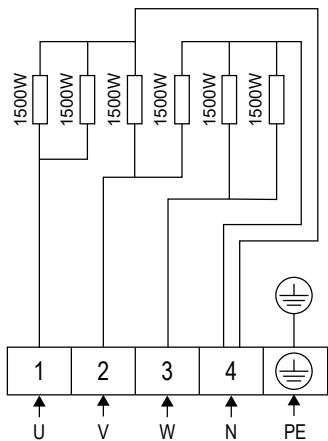
Saskaņā ar spēkā esošajiem noteikumiem tikai kvalificēts elektriķis drīkst pieslēgt pirts sildītāju elektrotīklam.

- Pirts sildītājs ir daļēji savienots ar sadales kārbu, kas atrodas uz pirts sienas. Sadales kārbai ir jābūt noturīgai pret šļakatām, un tā nedrīkst atrasties vairāk kā 500 mm virs grīdas.
- Savienojuma kabelim jābūt H07RN-F tipa gumijas kabelim vai tam līdzvērtīgam kabelim. IEVĒROJIT! Pirts sildītāja savienojuma kabelim ir aizliegts izmantot kabeli ar PVC izolāciju, jo tas ir termiski trausls.
- Ja savienojuma vai instalācijas kabeli ir izvietoti pirtī vai pirts sienās vairāk nekā 1000 mm augstumā virs grīdas, tiem jābūt izturīgiem vismaz 170 °C temperatūrā (piemēram, kabeli ar silikona apvalku). Elektroiekārtām, kas uzstādītas vairāk nekā 1000 mm virs pirts grīdas, jābūt apstiprinātām darbam 125 °C apkārtējās vides temperatūrā (marķējums T125).

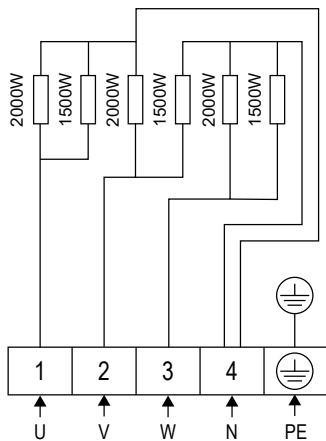


1. Sadales kārba

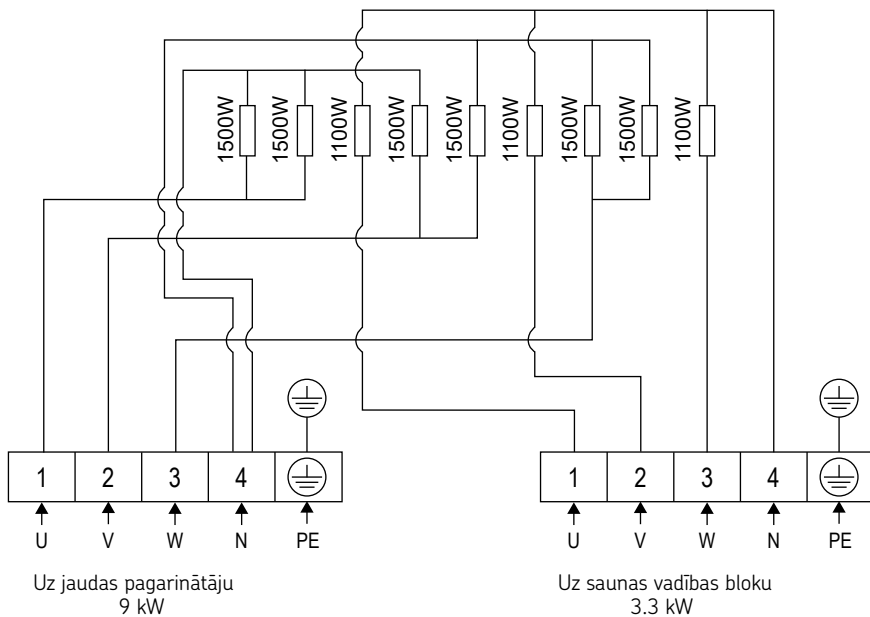
2. Kabelis



5. attēls. Elektroinstalācijas shēma QU90E



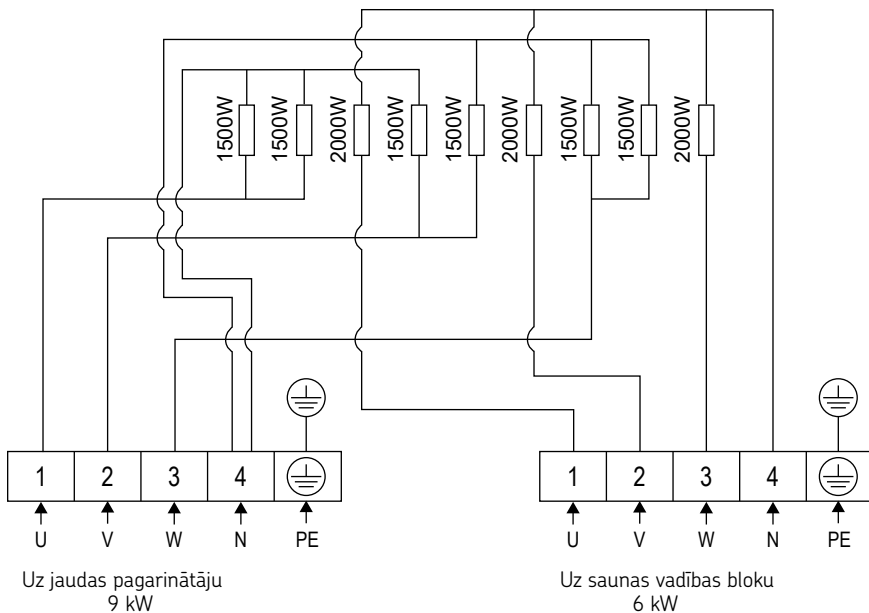
6. attēls. Elektroinstalācijas shēma QU105E



Uz jaudas pagarinātāju
9 kW

Uz saunas vadības bloku
3.3 kW

7. attēls. Elektroinstalācijas shēma QU120E



8. attēls. Elektroinstalācijas shēma QU150E

6.5. Elektriskā pirts sildītāja izolācijas pretestība



Nepieslēdziet strāvas padevi elektriskajam sildītājam, izmantojot strāvas ķēdes pārtraucēju.

LV

Veicot elektroinstalāciju galīgo pārbaudi, pirts sildītāja izolācijas pretestības mērījumi var uzrādīt "noplūdi", ko izraisa gaisa mitrums, kas uzsūcas (uzglabāšanas/transportēšanas laikā) sildelementu izolācijas materiālā. Mitrumu sildelementos var likvidēt pēc pāris sildīšanas cikliem.

6.6. Saunas akmeņu novietojums



Pirts sildītāja akmeņiem ir būtiska nozīme pirts sildītāja drošībā. Lai garantija paliktu spēkā, lietotājs ir atbildīgs par akmeņu laukuma pareizu uzturēšanu saskaņā ar specifikācijām un instrukcijām.



Pirts sildītāja akmeņu laukumā vai tā tuvumā ir aizliegts novietot jebkādas priekšmetus vai ierīces, kas var mainīt caur pirts sildītāju plūstošā gaisa apjomu vai virzienu.



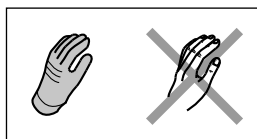
Ja ap sildelementu nav akmeņu, tas var uzsildīt apkārt esošos materiālus līdz bīstamām temperatūrām, pārsniedzot pirts sildītāja drošo attālumu. Pārliecinieties par to, ka sildelementi nav redzami starp akmeņiem. Jūs kā lietotājs uzņematies atbildību par to, ka akmeņu laukums tiek uzturēts atbilstošā veidā visu pirts sildītāja darbības laiku.

Svarīga informācija par piemērotiem saunas akmeņiem:

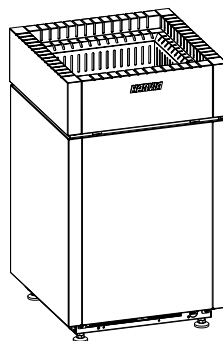
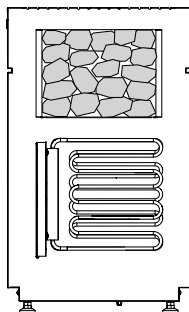
- Piemēroti saunas akmeņu materiāli ir peridotīts, olivīna diabāzs, olivīns un vulkanīts.
- Savai saunas krāsnij izmantojiet tikai šķelšanās virsmu un/vai noapaļotus akmeņus.
- Ja elektriskās saunas krāsns sildelementi saskaras ar akmeņiem, noapaļotus akmeņus drīkst izmantot tikai akmeņu laukuma ārējās slāņos, lai tie nesaskartos ar sildelementiem.
- Keramikas akmeņus un dekoratīvos akmeņus drīkst izmantot tikai tad, ja tos ir apstiprinājis ražotājs un tie tiek izmantoti saskaņā ar tā norādījumiem.
- Ņemiet vērā, ka dekoratīvie akmeņi ir piemēroti tikai akmeņu laukuma augšējam slānim. Dekoratīvie akmeņi jānovieto brīvi, lai nodrošinātu pietiekamu gaisa cirkulāciju. Dekoratīvos akmeņus novietojiet tā, lai tie nepieskartos elektriskās saunas krāsns sildelementiem.
- Garantija neattiecas uz defektiem, kas radušies dekoratīvo akmeņu izmantošanas vai ražotāja neieteiktu saunas akmeņu dēļ.
- Pirms akmeņu ievietošanas sildītājā no tiem jānoskalo visi putekļi.

Novietojot akmeņus, ir jāievēro tālāk sniegtie norādījumi:

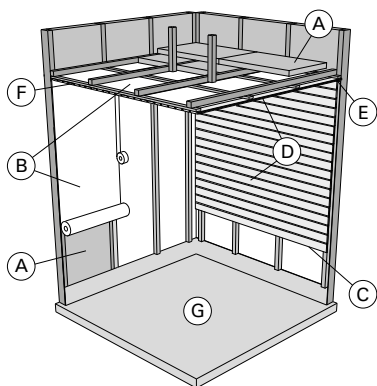
- Sāciet ar lielākajiem akmeņiem, novietojot tos apakšā un sānos. Šāds novietojums nodrošinās pietiekamu gaisa plūsmu un izveidos stabilu pamatni akmeņu vietai.
- Novietojiet akmeņus pa vienam. Nemetiet akmeņus akmeņu laukumā.
- Nekraujiet akmeņus uz sildītāja. Akmeņus drīkst kraut līdz sildītāja gaisa kanālu līmenim. Pārmērīgs akmeņu skaits samazina gaisa plūsmu un ietekmē sildītāja darbību.
- Mēs iesakām paturēt rezerves akmeņus, lai aizstātu bojātos akmeņus vai papildinātu akmeņu krāvu, ja tā augstums ar laiku samazinās.



	QU90E	QU120E,
	QU105E	QU150E
	Ø 5-10 cm	Ø 5-10 cm
	25 kg	40 kg



7.1. Karsētavas struktūra



- A. Izolācijas vate, biezums 50–100 mm. Karsētavai jābūt rūpīgi izolētai, lai pirts sildītāja jauda būtu pietiekami zema.
- B. Mitruma barjera, piemēram, alumīnija papīrs. Novietojiet papīra spīdīgo pusi pret pirts iekšpusi. Cieši aplīmējiet šuves ar alumīnija lentu.
- C. Aptuveni 10 mm ventilācijas sprauga starp mitruma barjeru un paneli (ieteicams).
- D. Panelis ar nelielu masu un 12–16 mm biezumu. Pirms panelu likšanas pārbaudiet ierīču elektroinstalāciju un pirts sildītājam un lāvām nepieciešamos stiprinājumus sienās.
- E. Aptuveni 3 mm ventilācijas sprauga starp sienas un griestu paneļiem.
- F. Pirts augstums parasti ir 2100–2300 mm. Minimālais augstums ir atkarīgs no pirts sildītāja. Attālums starp augšējo lāvu un griestiem nedrīkst pārsniegt 1200 mm.
- G. Izmantojiet keramikas grīdas segumus un tumšus salaidumu materiālus. No akmeņiem atdalījušās daļiņas un pirts ūdenī esošie piemaisījumi var sasmērēt vai sabojāt trauslu grīdas segumu.

LV

IEVĒROJIET! Noslēdziet ugunsdzēsības iestādēs, kuras ugunsdrošās sienas daļas var izolēt. Izmantojamie dūmvadi nedrīkst būt izolēti.

IEVĒROJIET! Vieglis aizsargpārklājums, kas uzstādīts tieši uz sienas vai griestiem, var radīt ugunsbīstamību.

IEVĒROJIET! Ūdens, kas nonācis uz pirts grīdas, jānovada grīdas notekā.

7.2. Pirts sildītāja jauda

Ja sienas un griesti ir apšūti ar paneļiem un aiz paneļiem ir pietiekama izolācija, pirts sildītāja jauda tiek noteikta, pamatojoties uz pirts tilpumu. Neizolētas sienu virsmas (ķieģeļu, stikla ķieģeļu, stikla, betona, flīžu u. c.) palielina vajadzību pēc lielākas pirts sildītāja jaudas. Katram neizolētas sienas virsmas kvadrātmetram pieskaitiet 1,2 m³ pirts tilpuma. Piemēram, attiecībā uz nepieciešamo jaudu 10 m³ liela karsētava ar stikla durvīm ir līdzvērtīga apmēram 12 m³ lielai karsētavai. Ja karsētavai ir guļbaļķu sienas, pirts tilpumu reiziniet ar 1,5. (5. Tehniskā informācija)

7.3. Pirts sienas kļūst tumšākas

Ir normāli, ka koka virsmas karsētavā laika gaitā kļūst tumšākas. Šo procesu var paātrināt

- saules gaisma
- pirts sildītāja radītais siltums
- aizsargmateriāli sienu virsmām (aizsargmateriāliem ir slikta karstumizturība)
- smalkās daļiņas, kas izdalās no pirts sildītāja akmeņiem un paceļas gaisā ar gaisa straumēm.

7.4. Ventilācija karsētavā

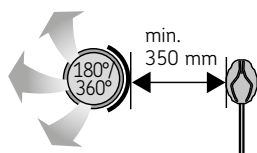
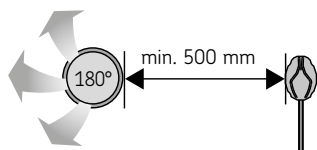
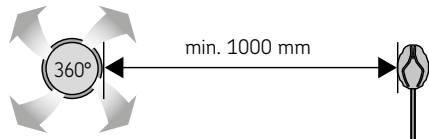


Temperatūras sensors vienmēr jāuzstāda norādītajā vietā. Ja minimālais attālums no gaisa padeves lūkas netiek ievērots, ir jāveic izmaiņas ventilācijā.



Nenovietojiet pieplūdes gaisa ventilācijas atveri tā, lai gaisa plūsma dzesētu siltuma sensoru.

- Gaisam karsētavā jāmainās sešas reizes stundā.
- **Mehāniskā ventilācija:** Gaisa padeves lūkai jāatrodas pirts augšdaļā, lai tā netraucētu temperatūras sensora darbībai. (9. attēls. Minimālais attālums no gaisa padeves lūkas līdz temperatūras sensoram)
- **Spiediena ventilācija:** Gaisa padeves lūka jāuzstāda zem vai blakus pirts sildītājam. Gaisa padeves lūkas diametram jābūt diapazonā no 50 līdz 100 mm.
- Izplūdes gaisa ventilācijas atvere: Novietojiet izplūdes ventilācijas atveri pēc iespējas tālāk no sildītāja un tuvu grīdai. Izplūdes gaisa atveres diametram jābūt divreiz lielākam par pieplūdes gaisa atveres diametru.
- Iespējams drenāžas vārsts (aizvērts sildīšanas un pāršanās laikā). Pirti var arī izžāvēt, atstājot durvis atvērtas pēc pāršanās.
- Ja izplūdes ventilācijas caurule atrodas mazgājāmās telpas pusē, pirts durvju sliekšņa atstarpei jābūt vismaz 100 mm. Mehāniskā nosūces ventilācija ir obligāta.



LV

10. attēls. Minimālais attālums no gaisa padeves lūkas līdz temperatūras sensoram

7.5. Karsētavas higiēna

- Lai izvairītos no sviedru pilēšanas uz lāvas, peroties ieteicams izmantot lāvas paliktni.
- Vismaz reizi sešos mēnešos rūpīgi jāizmazgā pirts lāvas, sienas un grīda. Izmantojiet sakņu suku un pirts tīrīšanas līdzekli.
- Apslaukiet pirts sildītāju ar mitru drānu, notīrot putekļus un netīrumus. Kaļķa traipus uz pirts sildītāja var likvidēt, izmantojot 10 % citronskābes šķīdumu un pēc tam noskalojot.

8. LIETOŠANAS INSTRUKCIJA

8.1. Pirts sildītāja lietošana



Pirms sildītāja ieslēgšanas vienmēr pārliecinieties par to, ka uz pirts sildītāja vai tā tuvumā nav priekšmetu.

- Pirts sildītājs tiek darbināts ar atsevišķu vadības ierīci. Skatiet lietošanas instrukciju, kas pievienota vadības ierīcei.
- Pirmajā lietošanas reizē pirts sildītājs un akmeņi rada smakas, kuru likvidēšanai nepieciešama laba karsētavas ventilācija.
- Ja pirts sildītāja jauda ir atbilstoša karsētavai, pareizi izolēta karsētava sasilst līdz darba temperatūrai aptuveni stundas laikā. Pirts sildītāja akmeņi parasti sakarst tikpat ātri kā karsētava.
- Piemērota temperatūra karsētavā ir aptuveni 65–80 °C.

8.2. Ūdens liešana



Nelietojiet kausu, kura tilpums ir lielāks par 0,2 litriem. Ja uz pirts sildītāja uzreiz uzlej vai uzteicina pārāk daudz ūdens, tas, karstajam ūdenim vāroties, var tikt uzšļakstīts tuvumā esošajiem cilvēkiem.



Lai izvairītos no apdeguma riska, nelejiet ūdeni uz pirts sildītāja, ja kāds atrodas tā tuvumā.

- Kad pirts ir uzkaršēta, tajā esošais gaiss izžūst. Tāpēc ir nepieciešams paaugstināt mitruma līmeni, uz pirts sildītāja akmeņiem uzlejot ūdeni.
- Katrs cilvēks karstuma un mitruma ietekmi izjūt savādāk – eksperimentējiet, lai atrastu sev piemērotu temperatūru un mitrumu.
- Lietojot pirti, ūdeni leļiet tikai uz pirts sildītāja akmeņiem.

8.3. Prasības ūdens kvalitātei

- Pirtī izmantojamajam ūdenim jāatbilst mājsaimniecības ūdens kvalitātes prasībām.(2. tabula.)
- Drīkst izmantot tikai pirts ūdenim paredzētās smaržvielas. Ievērojiet smaržvielai pievienotos norādījumus.

Ūdens īpašības	Ietekme	Ieteikums
Organiskais piemaisījums	Krāsa, garša, nogulsnes	<12 mg/l
Dzelzs saturs	Krāsa, smarža, garša, nogulsnes	<0,2 mg/l
Mangāna saturs (Mn)	Krāsa, smarža, garša, nogulsnes	<0,10 mg/l
Ūdens cietība: galvenās sastāvdaļas ir kalcijs (Ca) un magnijs (Mg)	Nogulsnes	Ca: <100 mg/l Mg: <100 mg/l
Hlorīds ūdens	Korozija	Cl: <100 mg/l
Hlorēts ūdens	Veselības apdraudējums	Lietošana aizliegta
Jūras ūdens	Strauja korozija	Lietošana aizliegta
Arsēna un radona koncentrācija	Veselības apdraudējums	Lietošana aizliegta

2. tabula.

8.4. Pēršanās instrukcijas

- Pirms pirts seansa uzsākšanas nomazgājieties.
- Sēdiet pirtī tik ilgi, cik ilgi jūtaties ērti.
- Atslābinieties un atpūties.
- Labas pirts manieres nozīmē cieņpilnu attieksmi pret citiem apmeklētājiem, izvairoties no skaļas uzvedības un traucēšanas.
- Neizšļakstiet pārmērīgi daudz ūdens, lai netraucētu citiem un nepiespiestu viņus atstāt pirti.
- Atdzesējiet ādu. Ja esat veseli, varat izbaudīt pēršanos, vienlaikus atvēsinoties.
- Pēc pirts seansa beigām nomazgājieties.
- Atpūties un nomierinieties. Izbaudiet atspirdzinošu dzērienu, lai atjaunotu šķidruma līdzsvaru.



Visas tehniskās apkopes darbības, kurām nepieciešamas īpašas prasmes, jāveic apmācītam profesionālim.

9.1. Pirts sildītāja akmeņi

- Intensīvas termiskās cikliskuma iedarbības dēļ pirts sildītāja akmeņi lietošanas laikā pakāpeniski nolietojas un drūp. Akmeņus nomainiet vismaz reizi gadā vai biežāk, ja pirts tiek izmantota ļoti bieži.
- Vienlaikus noīriet netīrumus no akmeņiem un nomainiet saplīsušos akmeņus. Tādējādi nodrošināsiet, ka tiek saglabātas pirts sildītāja tvaika ražošanas īpašības un nepastāv pārkaršanas risks.
- Periodiski pārbaudiet, vai akmeņu krāvuma augstums nav samazinājies. Pārlicinieties par to, lai sildelementi nebūtu redzami. Akmeņu krāvuma augstums var samazināties aptuveni divus mēnešus pēc akmeņu novietošanas.

9.2. Problēmu novēršana

Pirts sildītājs neuzkarst.

- Pārbaudiet, vai pirts sildītāja drošinātāji elektrības panelī nav bojāti.
- Pārbaudiet, vai ir pievienots pirts sildītāja savienojuma kabelis.
- Pārbaudiet, vai nav nostrādājusi pārkaršanas aizsardzība (skatīt vadības ierīces montāžas instrukciju).

Karsētava uzkarst lēni. Uz pirts sildītāja uzliets ūdens ātri atdzesē akmeņus.

- Pārbaudiet, vai pirts sildītāja drošinātāji elektrības panelī nav bojāti.
- Pārbaudiet, vai visi sildelementi spīd, kad ir ieslēgts sildītājs.
- Iestatiet augstāku temperatūru (skatīt vadības ierīces montāžas instrukciju).
- Pārbaudiet, vai pirts sildītāja jauda nav pārāk maza.
- Pārbaudiet, vai karsētavā ir pareizi ierīkota ventilācija.

LV

Karsētava uzkarst ātri, bet akmeņiem nav laika sasilt. Uz pirts sildītāja uzlietais ūdens neiztvaiko, bet plūst cauri akmeņu laukumam.

- Pārbaudiet, vai pirts sildītāja jauda nav pārāk liela.
- Pārbaudiet, vai karsētavā ir pareizi ierīkota ventilācija.

Paneļi vai citi materiāli pie pirts sildītāja ātri kļūst tumšāki.

- Nodrošiniet droša attāluma prasību ievērošanu.
- Pārlicinieties par to, ka sildelementi nav redzami starp akmeņiem. Ja tie ir redzami, no jauna sakraujiet akmeņus un pārlicinieties, ka sildelementi ir pilnībā nosegti.
- Skatiet arī (7.3. Pirts sienas kļūst tumšākas). punktu.

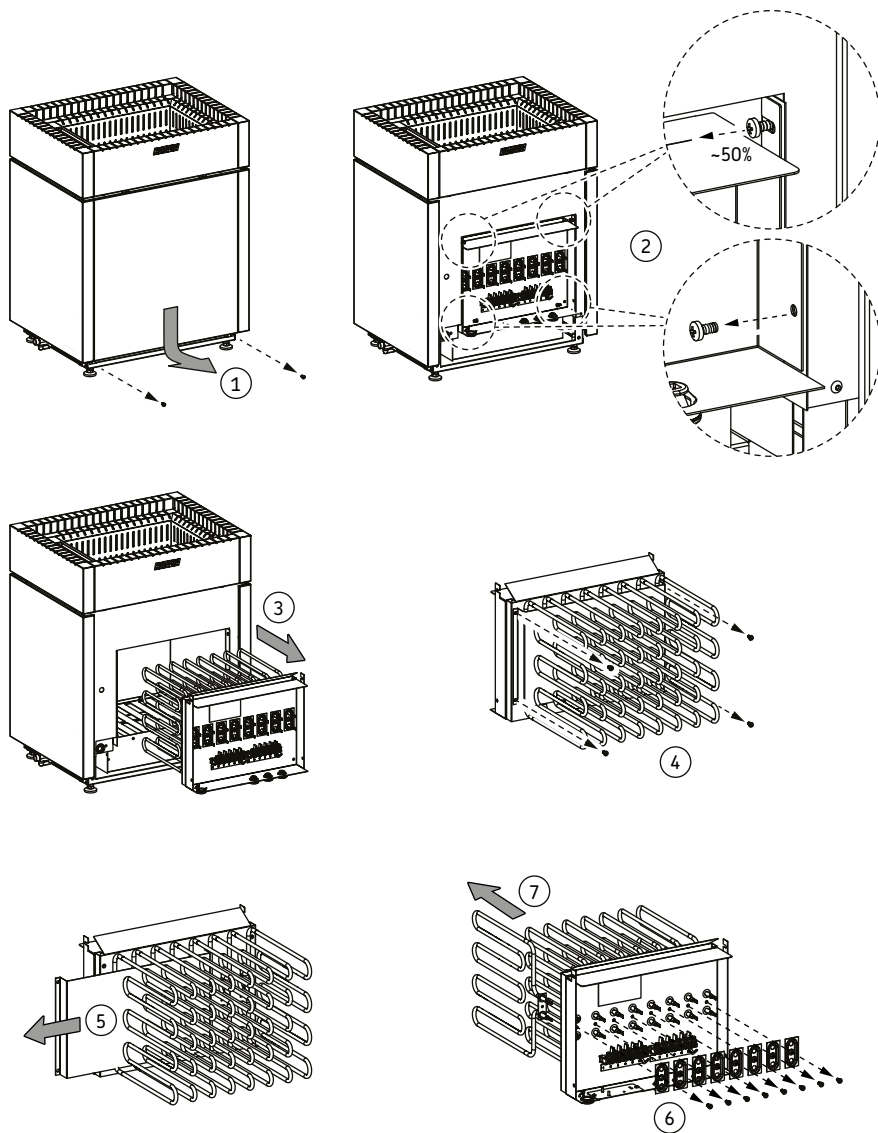
Pirts sildītājs rada smaku

- Skatiet (8.1. Pirts sildītāja lietošana). punktu
- Karsts pirts sildītājs var pastiprināt gaisā esošās smakas, taču pati pirts vai sildītājs smakas nerada. Piemēri: krāsas, līmes, eļļu un garšvielu karsēšana.

Pirts sildītājs rada troksni

- Atsevišķus rībienu parasti izraisa akmeņi, kas karstuma ietekmē plaisā.
- Kad sildītājs uzkarst, pirts sildītāja detaļu termiskā izplešanās var radīt troksni.

9.3. Sildelementu maiņa



LV

11. attēls. Sildelementu maiņa

10. REZERVES DAĻAS

spareparts.harvia.com



11. GARANTIJAS NOTEIKUMI

www.harvia.com



Harvia Qube

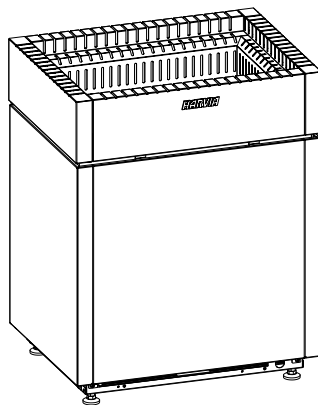
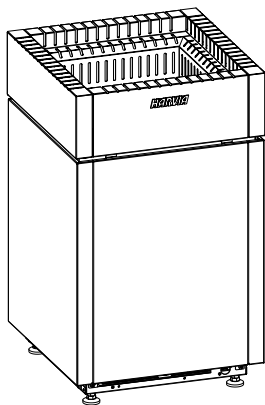
Elektrinė saunos krosnelė Įrengimo ir naudojimo instrukcija

HARVIA

Sauna & Spa

Let's sauna.

Gaminio Nr.	Tipas	Galia
HQU904M	QU90E	9 kW
HQU1054M	QU105E	10.5 kW
HQU1204M	QU120E	12 kW
HQU1504M	QU150E	15 kW



LT



Sveikiname puikiai pasirinkus saunos krosnelę!

„Harvia“ saunos krosnelė gerai ir ilgai veiks, jei bus naudojama ir prižiūrima taip, kaip aprašyta šioje instrukcijoje. Prieš montuodami arba naudodami saunos krosnelę, perskaitykite visus nurodymus. Instrukciją išsaugokite, kad galėtumėte pasiskaityti ją ateityje. Įrengimo ir naudojimo instrukciją rasite ir mūsų svetainėje www.harvia.com.

TURINYS

1. ĮSPĖJIMAI IR PASTABOS	3
2. PRIEŠ ĮRENGIMĄ	7
3. PRISTATOMA KOMPLEKTACIJA	8
4. ĮRENGIMO PAKETO PAVYZDYS	8
5. TECHNINĖ INFORMACIJA	9
6. MONTAVIMO INSTRUKCIJOS	11
6.1. Apsauginis atstumas.....	11
6.2. Saunos krosnelės įrengimas.....	12
6.3. Valdymo pulto ir jutiklių įrengimas.....	13
6.4. Elektros jungtys.....	14
6.5. Elektrinės saunos krosnelės izoliacijos varža.....	16
6.6. Pirties akmenų dėjimas.....	17
7. SAUNOS PATALPA	18
7.1. Saunos patalpos konstrukcija.....	18
7.2. Saunos krosnelės galia.....	18
7.3. Saunos sienų tamsėjimas.....	19
7.4. Saunos vėdinimas.....	19
7.5. Saunos patalpos higiena.....	20
8. NAUDOJIMO INSTRUKCIJA	20
8.1. Saunos krosnelės naudojimas.....	20
8.2. Vandens pylimas ant akmenų.....	20
8.3. Reikalavimai vandens kokybei.....	21
8.4. Pirtinimosi nurodymai.....	21
9. REGULIARI PRIEŽIŪRA	21
9.1. Saunos krosnelės akmenys.....	21
9.2. Trikčių šalinimas.....	22
9.3. Kaitintuvų keitimas.....	23
10. ATSARGINĖS DALYS	24
11. GARANTIJOS SĄLYGOS	24

1. ĮSPĖJIMAI IR PASTABOS



Prieš naudodami įrenginį atidžiai perskaitykite įspėjimus ir nurodymus.



ĮSPĖJIMAS! Nepaisydami šio įspėjimo, galite sunkiai susižeisti arba žūti.



ATSARGIAI! Nepaisydami šio įspėjimo, galite lengvai arba sunkiai susižeisti.



Neuždengti!

Įrengimas

- Saunos krosnelė skirta saunos patalpai įkaitinti iki reikiamos temperatūros. Įrenginį draudžiama naudoti bet kokiais kitais tikslais. Valdymo pultas skirtas saunos krosnei ir saunos veikimui valdyti. Įrenginį draudžiama naudoti bet kokiais kitais tikslais.
- Įrenginį prie elektros tinklo gali prijungti tik kvalifikuotas elektrikas pagal galiojančias taisykles. Už įrenginio įrengimą atsakingas asmuo, prieš perduodamas įrengimo darbus, turi pateikti naudotojui pridėtą įrengimo ir naudojimo instrukcijas bei surengti būtinus mokymus.
- Prieš atlikdami techninę priežiūrą visada atjunkite įrenginį nuo elektros tinklo!
- Prieš įrengimą ir pradinį paleidimą apžiūrėkite, ar nėra matomų įrenginio pažeidimų. Nenaudokite pažeisto įrenginio.
- Visada laikykitės įrenginio naudojimo instrukcijoje nurodytų verčių. Jei nuo jų nukrypstama, kyla gaisro pavojus.
- Saunoje galima įrengti tik vieną elektrinę krosnelę, jei instrukcijose nenurodyta kitaip.
- Įrenginys turi būti sumontuotas taip, kad atlikus montavimo darbus įspėjamieji tekstai būtų lengvai įskaitomi.
- Saunos krosnelės ar įrenginio negalima montuoti sienos nišoje, nebent instrukcijoje būtų nurodyta kitaip.
- Jei aplink saunos krosnelę yra įrengtas apsauginis turėklas, būtina laikytis saugių atstumų, nurodytų krosnelės naudojimo instrukcijoje.
- Įrengdami ar naudodami įrenginio priedus, visada laikykitės kiekvieno konkretaus priedo instrukcijų.
- Užtikrinkite tinkamą saunos patalpos ventiliaciją (oras turi pasikeisti šešis kartus per valandą).
- Nesumontuokite tiekiamo oro ventiliacijos angos taip, kad oro srautas vėsintų šilumos jutiklį (žr. šilumos jutiklio įrengimo instrukciją).

- Jei pažeistas maitinimo kabelis, gamintojas, gamintojo techninės priežiūros atstovas arba kitas kvalifikuotas asmuo turi jį pakeisti, kad būtų išvengta pavojaus.
- Draudžiama kaip saunos krosnelės prijungimo kabelį naudoti PVC izoliuotą kabelį, nes jis nėra atsparus šilumai.
- Įrengdami saunos krosnelę visada patikrinkite jungčių dėžutės jungčių būklę. Rekomenduojame naudoti varžtines jungtis. Venkite spyruoklinių jungčių!
- Neprijunkite elektrinio šildytuvo maitinimo per liekamosios srovės relę.
- Jei įrenginys naudojamas viešojoje saunoje be laikmačio, maitinimo indikatorius lemputė turi būti patalpoje, iš kurios įrenginys naudojamas.
- Montuodami ir prižiūrėdami įrenginį bei pridėdami saunos akmenų, visada mūvėkite apsaugines pirštines.
- Visiškai uždenkite kaitintuvus akmenimis; švytintis neuždengtas kaitintuvas gali sukelti gaisro pavojų!
- Krosnelės akmenų talpykloje arba šalia jos negalima dėti tokių daiktų ar prietaisų, kurie galėtų pakeisti per krosnelę praeinančio oro kiekį ar kryptį.

Naudojimas ir pirtinimasis

- Šį įrenginį gali naudoti 8 metų ar vyresni vaikai ir asmenys, kurių fiziniai, jutiminiai ar protiniai gebėjimai yra riboti arba kuriems trūksta patirties ir žinių, jeigu jie yra prižiūrimi arba yra išmokyti, kaip saugiai naudotis įrenginiu, ir supranta su tuo susijusią riziką.
- Draudžiama vaikams žaisti su įrenginiu. Vaikams draudžiama be priežiūros įrenginį valyti ar atlikti bet kokius įrenginio priežiūros darbus.
- Kai saunos krosnelė karšta, su ja elkitės atsargiai. Saunos krosnelės akmenys ir metalinės dalys įkaista taip, kad gali nudeginti odą.
- Prieš įjungdami saunos krosnelę visada patikrinkite, ar ant jos ar šalia jos nėra jokių daiktų.
- Pirmus kelis kartus kaitindami saunos krosnelę užtikrinkite tinkamą ventiliaciją, nes saunos krosnelė gali skleisti nemalonų kvapą.
- Ant saunos krosnelės negalima pilti per daug vandens vienu metu, nes gali tykšti plikinančiai karšti pūslai.
- Nepilkite vandens ant saunos krosnelės, jei šalia jos kas nors yra.
- Nenaudokite didesnio nei 0,2 litro talpos kaušo.
- Nenaudokite jokio kito vandens, nei nurodyta saunos krosnelės instrukcijoje.
- Jei vandenį aromatizuojate saunos kvapais, naudokite tik saunos

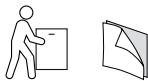
- vandeniui skirtus produktus ir laikykitės jų naudojimo instrukcijų.
- Ilgai būnant karštoje saunoje pakyla kūno temperatūra. Tai gali būti pavojinga.
 - Pasirūpinkite, kad vaikai būtų atokiau nuo saunos krosnelės.
 - Nepalikite saunoje vienu vaikų, mažesnio mobilumo asmenų, ligonių ar neįgaliųjų.
 - Pasitarkite su gydytoju, ar neturite kokių nors sveikatos sutrikimų, ribojančių naudojimąsi sauna.
 - Judėdami saunoje būkite atsargūs, nes plautai ir grindys gali būti slidūs.
 - Neikite į karštą sauną būdami paveikti alkoholio, vaistų, narkotikų ar kitų svaigiųjų medžiagų.
 - Nemiegokite įkaitintoje saunoje.
 - Jūros klimatas ir kitokia drėgmė gali sukelti saunos krosnelės metalinių paviršių koroziją.
 - Dėl gaisro pavojaus saunoje nedžiovinkite skalbinių. Elektros įrenginius taip pat gali pažeisti didelė drėgmė.
 - Neįjunkite iš naujo suveikusios apsaugos nuo perkaitimo paspausdami grįžties mygtuką, kol nenustatyta jos suveikimo priežastis. Jei instrukcijoje nenurodyta kitaip, apsaugą nuo perkaitimo gali dar kartą įjungti tik kvalifikuotas techninės priežiūros specialistas.
 - Pasibaigus saunos krosnelės veikimo laikui visada patikrinkite, ar ji išsijungė ir nustojo šildyti.
 - Iš saunos krosnelės krintančios karštos akmenų nuolaužos gali pažeisti grindų dangą ir sukelti gaisro pavojų.
 - Viešosiose pirtyse, kur saunos krosnelė naudojama be laikmačio arba ilgiau, nei leidžia gamykloje nustatytas krosnelės arba valdymo pulto laikmatis, ji turi būti nuolat prižiūrima.
 - Prieš saunos krosnelę dar kartą įjungiant arba išjungiant ją nuotoliniu būdu, visada reikia apžiūrėti saunos patalpą ir zoną aplink saunos krosnelę.
 - Prieš krosnelę perjungiant į budėjimo režimą nuotoliniam jos valdymui arba valdymui pagal nustatytą laiko grafiką, visada reikia patikrinti saunos patalpą ir krosnelės aplinką.
 - Pagal elektra šildomoms saunos krosnelėms taikomą IEC/EN 60335-2-53 standartą saunos krosnei valdyti ir reguliuoti galima naudoti valdymo pultus su nuotolinio paleidimo funkcija, jei ant saunos krosnelės arba saunos durų yra įrengtas atitinkamas apsauginis išjungimo mechanizmas (durys arba apsauginis jungiklis).

Priežiūra

- Visus techninės priežiūros darbus, kuriems reikia specialių įgūdžių, turi atlikti išmokytas specialistas.
- Kartais nuvalykite saunos krosnelę drėgna šluoste, kad pašalintumėte dulkes ir nešvarumus. Jei reikia, naudokite švelnius ploviklius. Valydami nenaudokite tekančio vandens.
- Prieš pradėdami valyti įsitikinkite, kad įrenginys yra visiškai atvėsęs.
- Bent kartą per metus perkraukite akmenis ir pakeiskite pažeistus akmenis naujais.

2. PRIEŠ ĮRENGIMĄ

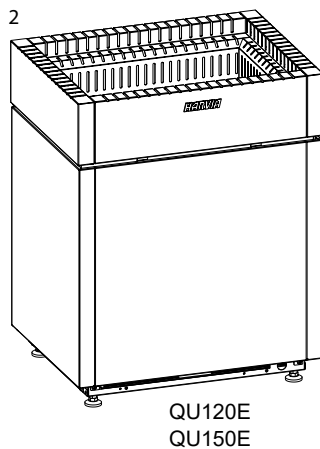
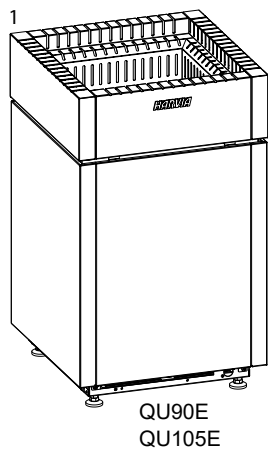
- Saunos krosnelę visada reikia gabenti tik vertikaliajose padėtyje.
- Saunos krosnelę galima pakelti ir perkelti laikant už išorinio korpuso.
- Prieš naudodami, nuo saunos krosnelės nuimkite apsauginę plėvelę.



Saunos krosnelės įrengimo kontrolinis sąrašas

- Patikrinkite, ar krosnelė nepažeista. Pažeistos saunos krosnelės nenaudokite. Apie bet kokius per gabenimą atsiradusius pažeidimus praneškite tiekėjui.
- Saunos krosnelės galia ir tipas turi tikti konkrečiai saunos patalpai. Saunos patalpos tūris negali būti per didelis ar per mažas (5. Techninė informacija) (7.2. Saunos krosnelės galia)
- Maitinimo įtampa turi būti tinkama saunos krosnei.
- Saunos krosnelės įrengimo vieta turi atitikti mažiausius saugius atstumus (6.1. Apsauginis atstumas)
- Temperatūros jutiklio / apsaugos nuo perkaitimo vieta priklauso nuo konkrečios saunos krosnelės. Pasirūpinkite, kad jutiklis būtų įrengtas pagal instrukciją.
- Saunos krosnelės akmenys turi būti tinkamai sukrauti.
- Jei reikia sumontuoti priedus, vadovaukitės konkretaus gaminio montavimo ir naudojimo nurodymais.
- Įsitikinkite, kad valdymo pultas yra suderinamas su saunos krosnele. Naujausių valdymo pultų modelių suderinamumą galite patikrinti svetainėje Harvia.com
- Saugokite šią instrukciją, kad galėtumėte pasiskaityti ją ateityje.

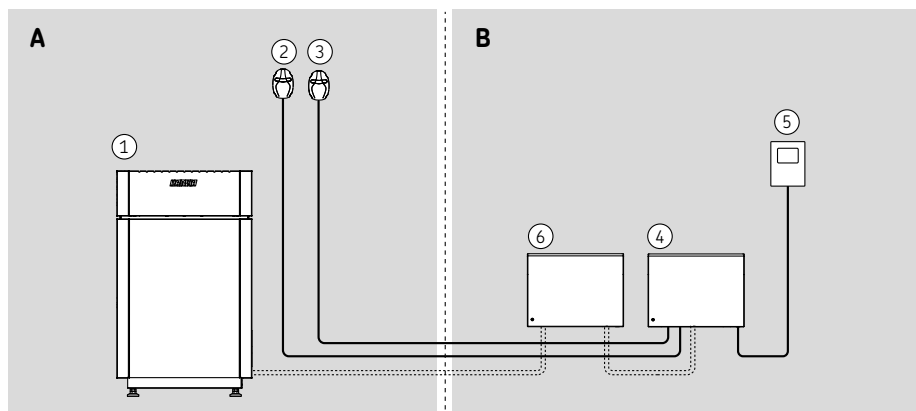
3. PRISTATOMA KOMPLEKTACIJA



1. Pirties krosnelė

2. Įrengimo ir naudojimo instrukcija

4. ĮRENGIMO PAKETO PAVYZDYS



A. Saunos patalpa

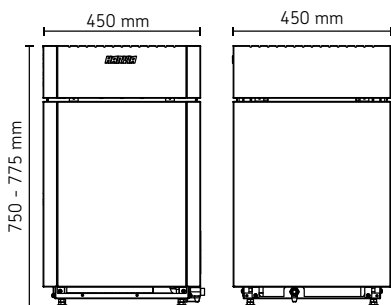
1. Pirties krosnelė
2. Temperatūros jutiklis
3. Sėdynės jutiklis

B. Sausa erdvė

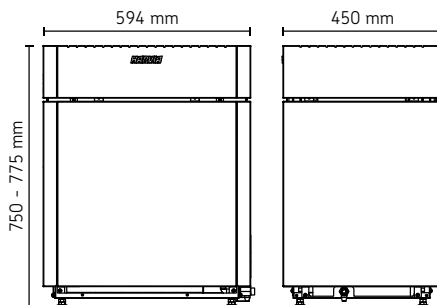
4. Valdymo pultas
5. Valdymo pultas
6. galios išplėtimas (neprivalomas, turi būti naudojamas, jei yra 2 grupės arba daugiau nei 11 kW)

5. TECHNINĖ INFORMACIJA

QU90E, QU105E



QU120E, QU150E



IRENGIMO DUOMENYS				
	QU90E	QU105E	QU120E	QU150E
Saunos krosnelės galia (kW)	9	10.5	12	15
Darbinės įtampos	400 V 3N-230 V 1N-	400 V 3N-230 V 1N-	400 V 3N-	400 V 3N-
Elektros grupės	1 grupė	1 grupė	2 grupės	2 grupės
Dažnis (Hz)	50 / 60	50 / 60	50 / 60	50 / 60
Maitinimo kabelis	5 x 2.5 mm ²	5 x 2.5 mm ²	5 x 2.5 mm ²	5 x 2.5 mm ²
Prijungimo kabelio tipas	H07RN-F arba lygiavertis	H07RN-F arba lygiavertis	H07RN-F arba lygiavertis	H07RN-F arba lygiavertis
Apsaugos klasė	IPX4	IPX4	IPX4	IPX4
Laikymo temperatūra	0-50°C	0-50°C	0-50°C	0-50°C
AKMENYS				
	QU90E	QU105E	QU120E	QU150E
Akmenų dydis (cm)	Ø 5-10	Ø 5-10	Ø 5-10	Ø 5-10
Akmenų kiekis (kg)	25	25	40	40
MATMENYS				
	QU90E	QU105E	QU120E	QU150E
Aukštis (mm)	750 - 775	750 - 775	750 - 775	750 - 775
Plotis (mm)	450	450	594	594
Gylis (mm)	450	450	450	450
Masė (kg)	34	34	40	40

SAUNOS PATALPA				
	QU90E	QU105E	QU120E	QU150E
Patalpos tūris (m³)	9-14	10-15	14-18	18-25
Mažiausias saunos aukštis (mm)	1900	1900	1900	1900
GAMINTOJO PATVIRTINTI PRIEDAI				
	QU90E	QU105E	QU120E	QU150E
Apsauginis turėklas	QUBE-L5 QUBE-W5	QUBE-L5 QUBE-W5	QUBE-L6 QUBE-W6	QUBE-L6 QUBE-W6
SFE saugos įrenginiai	SFE-500500	SFE-500500	SFE-500500	SFE-500500
SUDERINAMI VALDYMO PULTAI				
	QU90E	QU105E	QU120E	QU150E
Žr. naujausius valdymo pultų modelius mūsų svetainėje harvia.com	FX110 CX110 C105VKK Pro B2 Pro C2 Pro D2 Pro D2i	FX110 CX110 C105VKK Pro B2 Pro C2 Pro D2 Pro D2i	FX170 CX170 C105VKK *) Pro B2 *) Pro C2 *) Pro D2 *) Pro D2i *)	FX170 CX170 C105VKK *) Pro B2 *) Pro C2 *) Pro D2 *) Pro D2i *)
GALIOS PADIDINIMO MODULIS*)				
	QU90E	QU105E	QU120E	QU150E
Žr. naujausius galios padidinimo modulių modelius mūsų svetainėje harvia.com	LTY17 0-S2-18 0-S2-18S	LTY17 0-S2-18 0-S2-18S	LTY17 0-S2-18 0-S2-18S	LTY17 0-S2-18 0-S2-18S
*) neprivalomas, turi būti naudojamas, jei yra 2 grupės arba daugiau nei 11 kW				

LT

1 lentelė. Techninė informacija

6. MONTAVIMO INSTRUKCIJOS



Visada laikykitės įrenginio naudojimo instrukcijoje nurodytų verčių. Jei nuo jų nukrypstama, kyla gaisro pavojus.



Saunos patalpoje galima įrengti tik vieną elektrinę krosnelę, jei instrukcijoje nenurodyta kitaip.

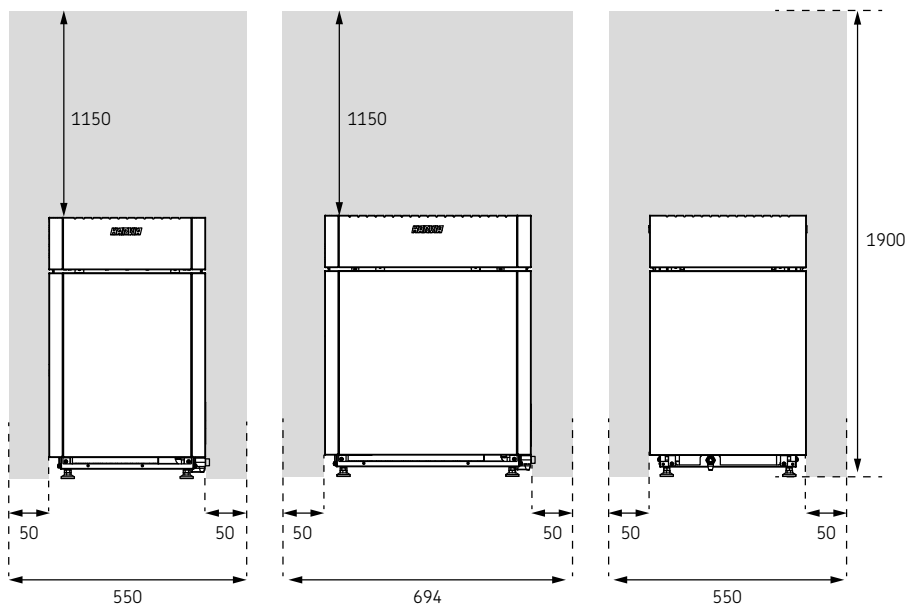


Įrenginys turi būti sumontuotas taip, kad atlikus montavimo darbus įspėjamieji tekstai būtų lengvai įskaitomi.

6.1. Apsauginis atstumas

- Mažiausi apsauginiai atstumai iki degių medžiagų parodyti paveikslėlyje (1 pav. Apsauginis atstumas).
- Jei aplink saunos krosnelę yra sumontuotas apsauginis turėklas, būtina laikytis (1 pav. Apsauginis atstumas) pav. arba apsauginio turėklo montavimo instrukcijoje pateiktų saugių atstumų.

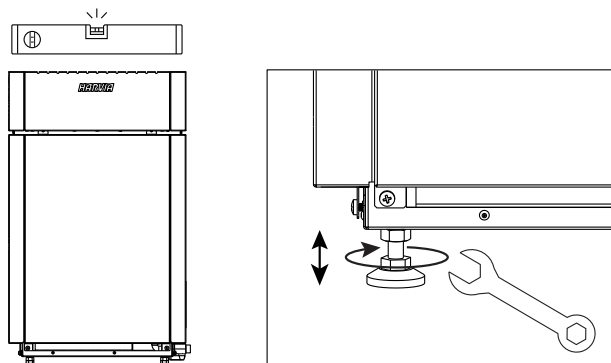
(min. mm)



LT

1 pav. Apsauginis atstumas

6.2. Saunos krosnelės įrengimas



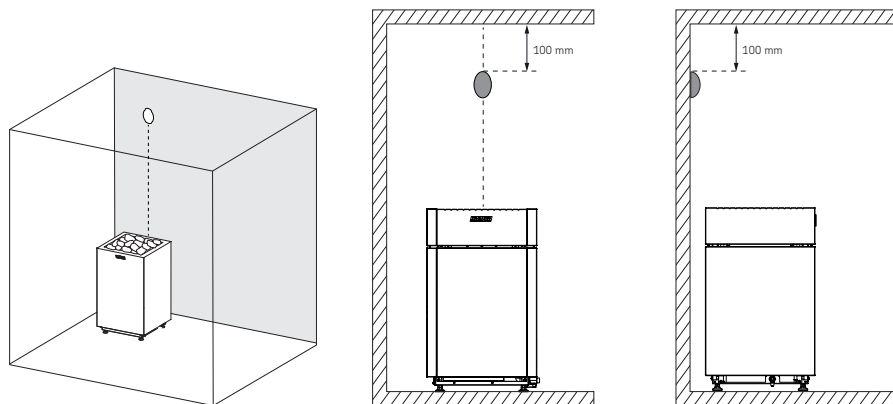
2 pav. Saunos krosnelės įrengimas

6.3. Valdymo pulto ir jutiklių įrengimas

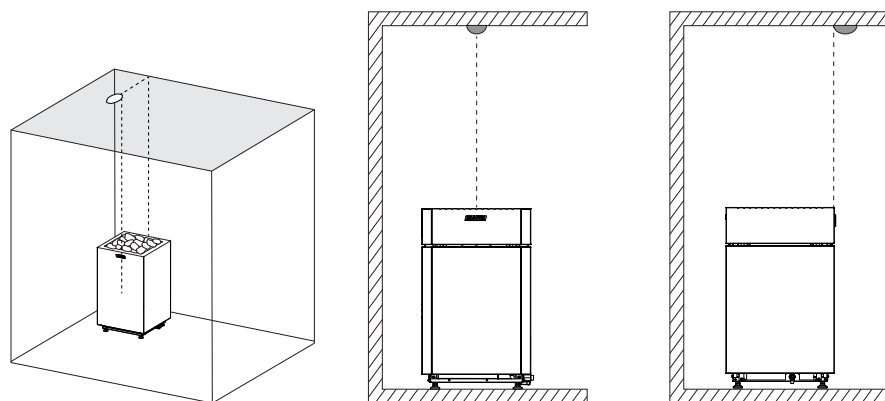


Nesumontuokite tiekiamo oro ventiliacijos angos taip, kad oro srautas vėsintų šilumos jutiklį.

- Prie valdymo pulto pridama išsami instrukcija, kaip sumontuoti jį ant sienos.
- Sumontuokite šilumos jutiklį, kaip parodyta paveikslėlyje. Jei saunos krosnelė sumontuojama toliau kaip 150 mm nuo sienos, jutiklis turi būti sumontuotas ant lubų.



3a pav. Šilumos jutiklio montavimas ant sienos



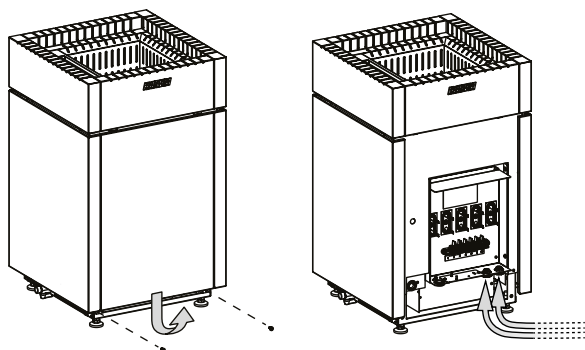
3b pav. Šilumos jutiklio montavimas ant lubų

6.4. Elektros jungtys

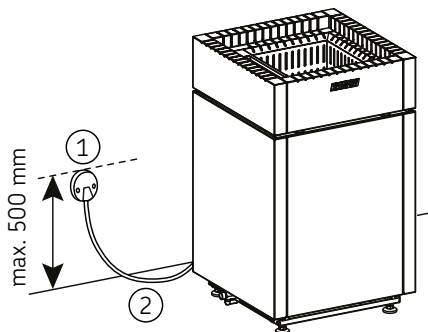


Saunos šildytuvą prie elektros tinklo gali prijungti tik kvalifikuotas elektrikas pagal galiojančias taisykles.

- Saunos krosnelė iš dalies stacionariai prijungiama prie jungčių dėžutės, esančios ant saunos sienos. Jungčių dėžutė turi būti atspari pūslams ir turi būti ne aukščiau kaip 500 mm virš grindų.
- Jungiamasis kabelis turi būti guminis H07RN-F tipo arba lygiavertis. PASTABA. Draudžiama kaip saunos krosnelės prijungimo kabelį naudoti PVC izoliuotą kabelį, nes jis nėra atsparus šilumai.
- Jei prijungimo arba elektros instaliacijos kabeliai yra saunoje arba saunos sienose daugiau kaip 1000 mm aukštyje virš grindų, su apkrova jie turi būti atsparūs ne mažesnei kaip 170 °C temperatūrai (pvz., kabeliai su silikoniniu apvalkalu). Elektros įranga, sumontuota aukščiau nei 1000 mm virš saunos grindų, turi būti sertifikuota naudoti esant 125 °C aplinkos temperatūrai (pažymėta T125).

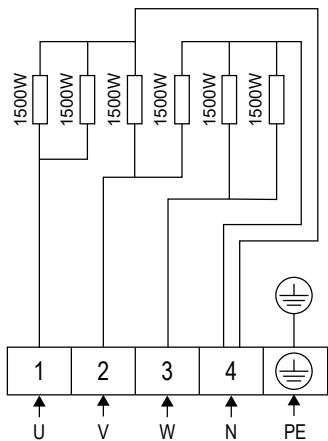


LT

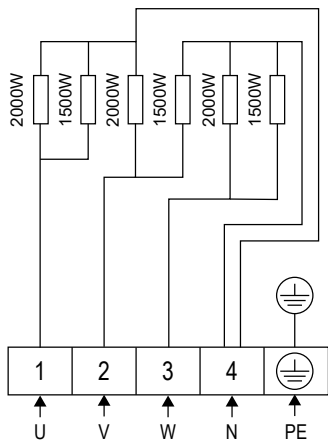


1. Jungčių dėžutė

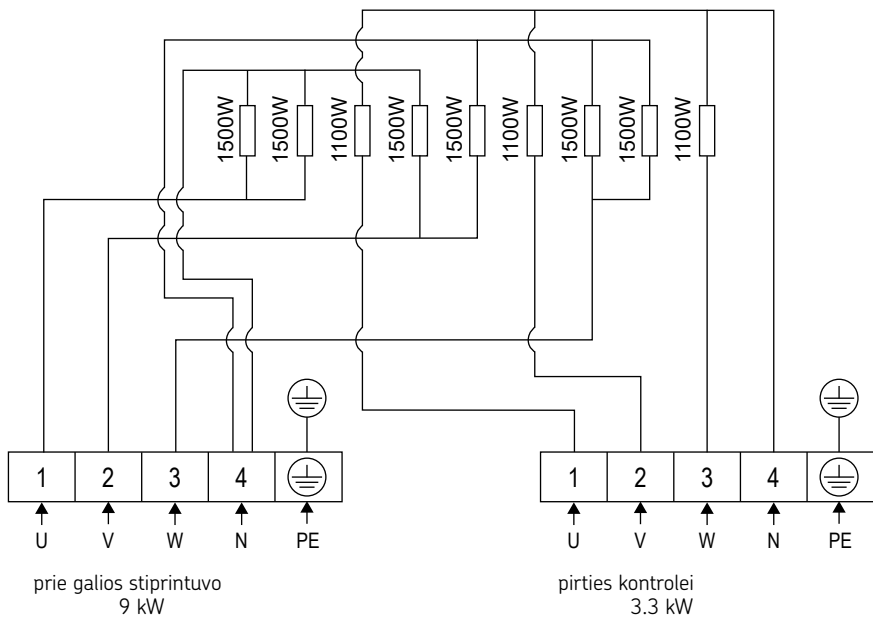
2. Kabelis



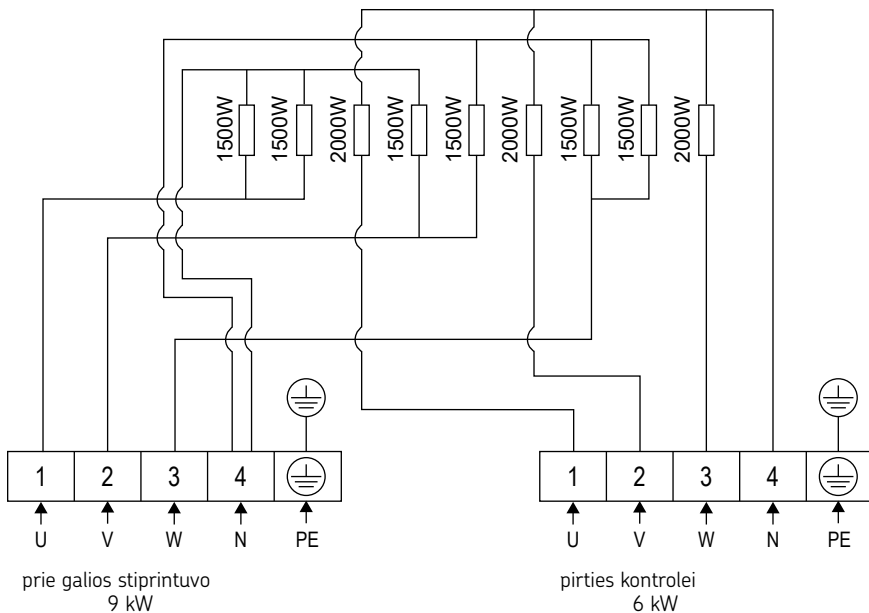
5 pav. Laidų prijungimo schema QU90E



6 pav. Laidų prijungimo schema QU105E



7 pav. Laidų prijungimo schema QU120E



8 pav. Laidų prijungimo schema QU150E

6.5. Elektrinės saunos krosnelės izoliacijos varža



Neprijunkite elektrinio šildytuvo maitinimo per liekamosios srovės relę.

LT

Atliekant galutinę elektros instaliacijos patikrinimą, matuojant pirties krosnelės izoliacijos varžą, gali būti nustatytas „nuotėkis“ dėl į kaitintuvų izoliacinę medžiagą iš oro įsigėrusios drėgmės (sandėliuojant ir (arba) transportuojant). Drėgmė iš kaitintuvų pašalinama po kelių kaitinimo ciklų.

6.6. Pirties akmenų dėjimas



Saunos krosnelės akmenys yra svarbūs saunos krosnelės saugumui. Garantija galioja tik tada, kai naudotojas yra atsakingas už tinkamą akmenų vietos priežiūrą, atitinkančią specifikacijas ir instrukcijas.



Saunos krosnelės akmenų erdvėje ar šalia jos nedėkite jokių daiktų, galinčių pakeisti per saunos krosnelę praeinančio oro kiekį ar kryptį.



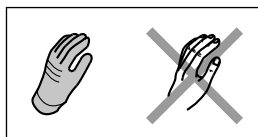
Jei kaitintuvas neapsuptas akmenimis, jis gali pavojingai įkaitinti medžiagas, esančias net ir už saunos krosnelės saugaus atstumo. Įsitikinkite, kad iš už akmenų nesimato kaitintuvų. Jūs, kaip naudotojas, esate atsakingas už tai, kad akmenų erdvė būtų tinkamai prižiūrima per visą saunos krosnelės gyvavimo ciklą.

Svarbi informacija apie akmenis, tinkamus naudojimui pirtyje.

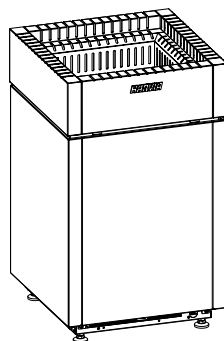
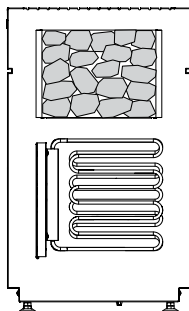
- Saunoje naudojami akmenys turi būti peridotitinės, olivino diabazo, olivino ir vulkanitinės kilmės.
- Pirties krosnei naudokite tik skilusio (nelygaus) paviršiaus ir (arba) suapvalintus akmenis.
- Jei elektrinės krosnelės kaitintuvai liečiasi su akmenimis, suapvalinti akmenys gali būti dedami tik išoriniuose sluoksniuose, kad nesiliestų su kaitintuvais.
- Keraminius ir dekoratyvinius akmenis galima naudoti tik tuo atveju, jei jie yra patvirtinti gamintojo ir naudojami laikantis gamintojų instrukcijų.
- Atkreipkite dėmesį, kad dekoratyviniai akmenys tinkami naudoti tik viršutiniame sluoksnyje. Dekoratyviniai akmenys turi būti išdėstyti laisvai, taip užtikrinant pakankamą oro cirkuliaciją. Dekoratyvinius akmenis išdėliokite taip, kad jie nesiliestų su elektrinės krosnelės kaitintuvais.
- Garantija netaikoma defektams, atsiradusiems dėl dekoratyvinių akmenų ar gamintojo nerekomenduotų pirties akmenų naudojimo.
- Prieš dėdami į krosnelę akmenis, nuplaukite nuo jų susikaupusias dulkes.

Dėdami akmenis, atkreipkite dėmesį į šiuos dalykus:

- Pradėkite nuo didžiausių akmenų, dėdami juos apačioje ir šonuose. Tai užtikrina tinkamą ventilaciją ir sudaro tvirtą pagrindą akmeninei erdvei.
- Akmenis dėkite po vieną. Nemeskite jų į akmenų talpyklą.
- Nesukraukite akmenų krūvos ant krosnelės. Akmenys gali pasiekti krosnelės oro kanalų lygį. Per didelis akmenų kiekis sumažina ventilaciją ir susilpnina krosnelės savybes.
- Rekomenduojame saugoti keletą papildomų akmenų, kad galėtumėte pakeistumėte sulūžusius arba pridėtumėte, jei akmenų kaitrumas laikui bėgant mažėtų.



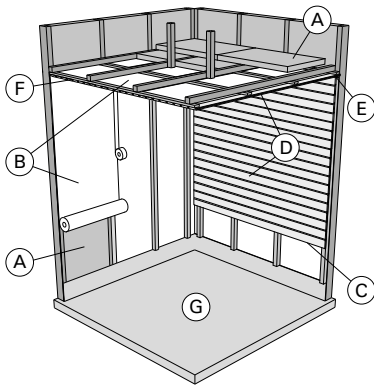
	QU90E	QU120E,
	QU105E	QU150E
	Ø 5-10cm	Ø 5-10cm
	25kg	40kg



9 pav. Pirties akmenų dėjimas

7. SAUNOS PATALPA

7.1. Saunos patalpos konstrukcija



- A. 50–100 mm storio izoliacinė vata. Saunos patalpa turi būti kruopščiai izoliuota, kad saunos krosnelės naudojama galia būtų pakankamai maža.
- B. Drėgmės barjeras, pvz., aliuminio popierius. Blizgančioji popieriaus pusė turi būti nukreipta į saunos vidų. Siūles sandariai užklijuokite aliuminiu juosta.
- C. Tarp drėgmės barjero ir plokštės turi būti paliktas maždaug 10 mm ventilacijos tarpas (rekomenduojama).
- D. Turi būti naudojamos lengvos 12–16 mm storio plokštės. Prieš pradėdami tvirtinti plokštes, patikrinkite įrenginių elektros laidų prijungimą ir saunos krosnei bei plautams reikalingus sienų sutvirtinimus.
- E. Tarp sienų ir lubų plokščių turi būti paliktas maždaug 3 mm ventilacijos tarpas.
- F. Saunos aukštis paprastai yra 2100–2300 mm. Mažiausias aukštis priklauso nuo saunos krosnelės. Atstumas tarp viršutinio plauto ir lubų neturi viršyti 1200 mm.
- G. Naudokite keramines grindų dangas ir tamsias jungiamąsias medžiagas. Nuo akmenų atsipalaidavusios dalelės ir saunos vandenyje esantys teršalai jautresnę grindų dangą gali sutepti ir (arba) pažeisti.

LT

PASTABA. Pasitarkite su priešgaisrinėmis institucijomis, kurias ugniasienės dalis galima izoliuoti. Naujami dūmtraukiai neturi būti izoliuoti.

PASTABA. Lengva tiesiai ant sienos ar lubų paviršiaus įrengta apsauga gali kelti gaisro pavojų.

PASTABA. Ant saunos grindų patekęs vanduo turi būti nukreiptas į grindų šulinėlį.

7.2. Saunos krosnelės galia

Kai sienos ir lubos apkalto plokštėmis, o už jų yra pakankama izoliacija, saunos krosnelės galia nustatoma pagal saunos tūrį. Neizoliuoti sienų paviršiai (plytų, stiklo blokelių, stiklo, betono, plytelių ir kt.) padidina saunos krosnelės galios poreikį. Kiekvienam neizoliuotos sienos kvadratiniam metrui prie saunos tūrio pridėkite po 1,2 m³. Pavyzdžiui, 10 m³ saunos patalpai su stiklinėmis durimis reikalinga maždaug tokia galia kaip 12 m³ saunos patalpai. Jei saunos sienos yra rąstinės, saunos tūrį padauginkite iš 1,5. (5. Techninė informacija)

7.3. Saunos sienų tamsėjimas

Normalu, kad mediniai saunos paviršiai laikui bėgant patamsėja. Tamsėjimą gali pagreitinti

- saulės šviesa;
- pirties krosnelės šiluma;
- sienų paviršių apsauginės medžiagos (apsauginės medžiagos yra mažai atsparios karščiui);
- nuo saunos krosnelės akmenų atspalaiduojančios ir su oro srovėmis kylančios smulkios dalelės.

7.4. Saunos vėdinimas

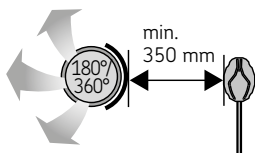
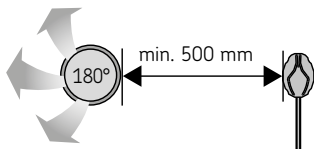
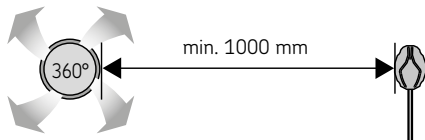


Temperatūros jutiklis visada turi būti sumontuotas nurodytoje vietoje. Jei nesilaikoma minimalaus atstumo iki tiekiamo oro ventilacijos angos, reikia keisti vėdinimo sistemą!



Nesumontuokite tiekiamo oro ventilacijos angos taip, kad oro srautas vėsintų šilumos jutiklį!

- Oras saunos patalpoje turi pasikeisti šešis kartus per valandą.
- **Mechaninė ventilacija:** Tiekiamo oro ventilacijos anga turi būti viršutinėje pirties dalyje, kad netrikdytų temperatūros jutiklio funkcijos.
- **Slėginė ventilacija:** Tiekiamo oro ventilacijos angą reikia įrengti po pirties krosnele arba šalia jos. Tiekiamo oro ventilacijos angos skersmuo turi būti nuo 50 mm iki 100 mm.
- Ištraukiamo oro ventilacijos anga: Ištraukiamo oro ventilacijos angą įrenkite kuo toliau nuo saunos krosnelės ir kuo arčiau grindų. Ištraukiamo oro ventilacijos angos skersmuo turi būti dvigubai didesnis už paduodamo oro ventilacijos angos skersmenį.
- Galima naudoti išleidimo vožtuvą (uždaromas šildymo ir pirtinimosi metu). Sauną taip pat galima išdžiovinti po pirtinimosi paliekant atviras saunos duris.
- Jei ištraukiamo oro ventilacijos anga yra prausyklos pusėje, saunos durų slenkstis turi būti ne mažesnis kaip 100 mm. Privaloma mechaninė ištraukiamoji ventilacija.



10 pav. Mažiausias atstumas nuo tiekiamo oro ventilacijos angos iki temperatūros jutiklio

7.5. Saunos patalpos higiena

- Rekomenduojama saunoje sėdėti ant paklotų, kad ant plautų nevarvėtų prakaitas.
- Ne rečiau kaip kartą per šešis mėnesius saunos plautus, sienas ir grindis reikia kruopščiai nuplauti. Naudokite šepetį ir pirties ploviklį.
- Nuvalykite krosnelę drėgna šluoste, kad pašalintumėte dulkes ir nešvarumus. Kalkių dėmes nuo saunos krosnelės pašalinkite 10 % citrinų rūgšties tirpalu ir jį nuplaukite.

8. NAUDOJIMO INSTRUKCIJA

8.1. Saunos krosnelės naudojimas



Prieš įjungdami saunos krosnelę visada patikrinkite, ar ant jos ar šalia jos nėra jokių daiktų.

- Saunos krosnelė valdoma atskiru valdymo pultu. Žr. prie valdymo pulto pridėtą naudojimo instrukciją.
- Pirmą kartą naudojant saunos krosnelę ir akmenis atsiranda kvapų, kuriems pašalinti saunos patalpą reikia gerai išvėdinti.
- Jei saunos krosnelė yra saunos patalpai tinkamos galios, gerai izoliuota saunos patalpa iki reikiamos temperatūros įkaista maždaug per valandą. Saunos krosnelės akmenys paprastai įkaista per tą patį laiką kaip ir saunos patalpa.
- Tinkama saunos patalpos temperatūra yra apie 65–80 °C.

8.2. Vandens pylimas ant akmenų



Nenaudokite didesnio nei 0,2 litro talpos kaušo. Jei ant saunos krosnelės iš karto užpilama per daug vandens, užviręs vanduo gali aptaškyti saunoje esančius žmones.



Kad išvengtumėte nudegimų pavojaus, nepilkite vandens ant saunos krosnelės, jei šalia jos kas nors yra.

LT

- Kaitinant sauną oras joje išdžiūsta. Todėl reikia padidinti drėgmę ant saunos krosnies akmenų pilant vandenį.
- Kiekvienas žmogus savaip jaučia karščio ir drėgmės poveikį, todėl eksperimentuokite ir raskite sau tinkamiausią temperatūrą ir drėgmę.
- Stenkitės vandenį pilti tik ant saunos krosnelės akmenų.

8.3. Reikalavimai vandens kokybei

- Saunoje naudojamas vanduo turi tenkinti buitinio vandens kokybės reikalavimus (2 lentelė.).
- Galima naudoti tik saunos vandeniui skirtas aromatinės medžiagas. Laikykitės aromatinių medžiagų naudojimo instrukcijų.

Vandens savybės	Poveikis	Rekomendacija
Organiniai teršalai	Spalva, skonis, nuosėdos	<12 mg/l
Geležies kiekis	Spalva, kvapas, skonis, nuosėdos	<0,2 mg/l
Mangano kiekis (Mn)	Spalva, kvapas, skonis, nuosėdos	<0,10 mg/l
Vandens kietumas: pagrindinės sudedamosios dalys yra kalcis (Ca) ir magnis (Mg)	Nuosėdos	Ca: <100 mg/l Mg: <100 mg/l
Chloridinis vanduo	Korozija	Cl: <100 mg/l
Chloruotas vanduo	Rizika sveikatai	Draudžiama naudoti
Jūros vanduo	Greita korozija	Draudžiama naudoti
Arseno ir radono koncentracija	Rizika sveikatai	Draudžiama naudoti

2 lentelė.

8.4. Pirtinimosi nurodymai

- Prieš eidami į sauną nusiprauskite.
- Sėdėkite saunoje tiek, kad jaustumėtės maloniai.
- Atspalaiduokite.
- Geras saunos etiketas – atsižvelgti į kitus saunos lankytojus ir netrukdyti jiems garsiomis kalbomis.
- Nepriverskite kitų palikti saunos pripildami per daug vandens.
- Atvėsinkite savo odą. Jei esate sveiki, atsivėsindami galite paplaukioti.
- Baigę pirtintis nusiprauskite.
- Pailsėkite ir atspalaiduokite. Atsigerkite gaivaus gėrimo, kad atkurtumėte skysčių balansą.

9. REGULIARI PRIEŽIŪRA



Visus techninės priežiūros darbus, kuriems reikia specialių įgūdžių, turi atlikti išmokytas specialistas.

9.1. Saunos krosnelės akmenys

- Dėl intensyvaus šiluminio ciklo saunos krosnelės akmenys naudojimo metu palaipsniui yra ir trupa. Akmenis keiskite ne rečiau kaip kartą per metus arba dažniau, jei sauna naudojama labai dažnai.
- Taip pat pašalinkite susikaupusias akmenų nuolaužas ir pakeiskite suskilusius akmenis. Taip bus užtikrinta, kad saunos krosnelės garinimo savybės išliks nepakitusios ir nekils perkaitimo pavojaus.
- Retkarčiais patikrinkite, ar akmenų kaitrumo lygis išliko nepakitęs. Įsitikinkite, kad kaitintuvų laikui bėgant nesimato. Tikėtina, kad akmenų kaitrumo lygis sumažės maždaug per du mėnesius po jų išdėliojimo.

9.2. Triukčių šalinimas

Saunos krosnelė neįkaista.

- Patikrinkite, ar nėra suveikę saunos krosnelės saugikliai elektros skyde.
- Patikrinkite, ar įjungtas saunos krosnelės maitinimo kabelis.
- Patikrinkite, ar nėra suveikusi apsauga nuo perkaitimo (žr. valdymo pulto įrengimo instrukciją).

Saunos patalpa įkaista lėtai. Ant saunos krosnelės pilamas vanduo greitai atvėsina akmenis.

- Patikrinkite, ar nėra suveikę saunos krosnelės saugikliai elektros skyde.
- Patikrinkite, ar įjungus saunos krosnelę kaitintuvai švyti.
- Nustatykite aukštesnę temperatūrą (žr. valdymo pulto įrengimo instrukciją).
- Patikrinkite, ar saunos krosnelės galia nėra per maža.
- Patikrinkite, ar teisinga pirties patalpos ventiliacija.

Saunos patalpa greitai įkaista, tačiau akmenys nespėja įkaisti. Ant saunos krosnelės pilamas vanduo neišgaruoja, o teka per akmenis.

- Patikrinkite, ar saunos krosnelės galia nėra per didelė.
- Patikrinkite, ar teisinga pirties patalpos ventiliacija.

Plokštės ar kitos šalia saunos krosnelės esančios medžiagos greitai patamsėja.

- Patikrinkite, ar tenkinami reikalavimai dėl saugaus atstumo.
- Įsitikinkite, kad iš už akmenų nesimato kaitintuvų. Jei jie matosi, sudėkite akmenis iš naujo taip, kad kaitintuvai būtų visiškai uždengti.
- Taip pat žr. punktą (7.3. Saunos sienų tamsėjimas).

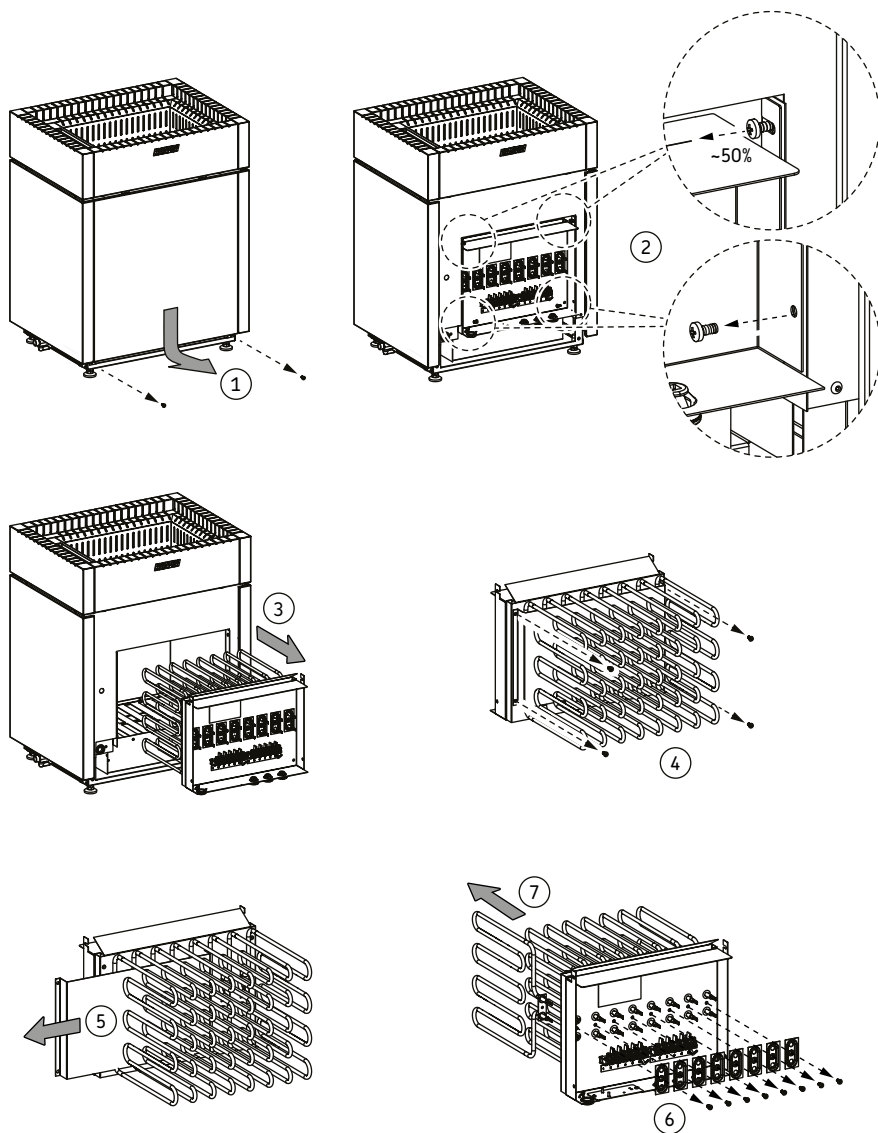
Saunos krosnelė skleidžia kvapą

- Žr. punktą (8.1. Saunos krosnelės naudojimas)
- Karšta saunos krosnelė gali sustiprinti ore esančius kvapus, tačiau pati sauna ar krosnelė kvapų negeneruoja. Pavyzdžiai: dažai, klijai, kaitinimo aliejus ir prieskoniai.

Saunos krosnelė skleidžia triukšmą

- Retkarčiais pasitaikančių garsų priežastis paprastai būna karštyje suskylantys akmenys.
- Triukšmą gali sukelti ir šiluminis saunos krosnelės dalių plėtimasis saunos krosnei kaistant.

9.3. Kaitintuvų keitimas



11 pav. Kaitintuvų keitimas

10. ATSARGINĖS DALYS

spareparts.harvia.com



11. GARANTIJOS SĄLYGOS

www.harvia.com



Harvia Qube

HARVIA

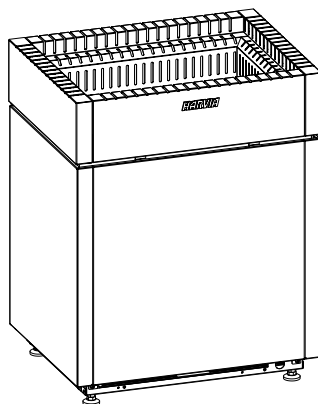
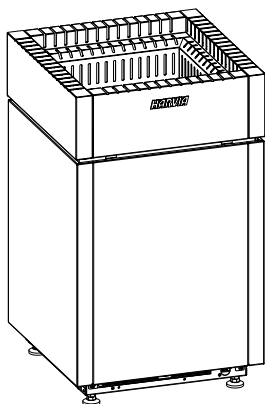
Sauna & Spa

Электрическая каменка для сауны

Руководство по установке и
эксплуатации

Let's sauna.

Артикул №	Тип	Мощность
HQU904M	QU90E	9 кВт
HQU1054M	QU105E	10.5 кВт
HQU1204M	QU120E	12 кВт
HQU1504M	QU150E	15 кВт



RU



Поздравляем с отличным выбором каменки!

Оптимальная работа и срок службы каменки Harvia достигается при ее эксплуатации и техобслуживании в соответствии с инструкциями настоящего руководства. Перед установкой и использованием каменки ознакомьтесь с настоящим руководством. Сохраните настоящее руководство для использования в дальнейшем. Руководство по установке и эксплуатации также доступно на нашем веб-сайте www.harvia.com.

Содержание

1. ПРЕДУПРЕЖДЕНИЯ И ПРИМЕЧАНИЯ	3
2. ПЕРЕД УСТАНОВКОЙ	7
3. КОМПЛЕКТ ПОСТАВКИ	8
4. ПРИМЕР УСТАНОВОЧНОГО ПАКЕТА.....	8
5. ТЕХНИЧЕСКАЯ ХАРАКТЕРИСТИКИ	9
6. РУКОВОДСТВО ПО УСТАНОВКЕ	11
6.1. Безопасное расстояние.....	11
6.2. Установка каменки.....	12
6.3. Установка пульта управления и термостата.....	13
6.4. Электрические соединения	14
6.5. Сопротивление изоляции электрической каменки	16
6.6. Наполнение каменки камнями	16
7. ПОМЕЩЕНИЕ САУНЫ.....	18
7.1. Устройство помещения сауны	18
7.2. Мощность каменки	18
7.3. Потемнение стен в сауне.....	19
7.4. Вентиляция помещения сауны.....	19
7.5. Гигиена сауны.....	20
8. РУКОВОДСТВО ПО ЭКСПЛУАТАЦИИ.....	20
8.1. Использование каменки	20
8.2. Выливание воды	20
8.3. Требования к качеству воды.....	21
8.4. Указания по купанию.....	21
9. РЕГУЛЯРНОЕ ТЕХОБСЛУЖИВАНИЕ И УХОД	22
9.1. Камни для печи.....	22
9.2. Устранение неполадок.....	22
9.3. Замена нагревательных элементов.....	23
10. ЗАПАСНЫЕ ЧАСТИ	24
11. УСЛОВИЯ ГАРАНТИИ.....	24

1. ПРЕДУПРЕЖДЕНИЯ И ПРИМЕЧАНИЯ



Перед использованием устройства внимательно ознакомьтесь с инструкциями и мерами предосторожности.



ВНИМАНИЕ! Несоблюдение данных мер предосторожности может привести к серьезным травмам или смерти.



ОСТОРОЖНО! Несоблюдение данных предупреждений может привести к легким или серьезным травмам.



Не накрывать!

Установка

- Печь предназначена для нагрева парильни до необходимой температуры. Использование устройства в любых других целях запрещено. Пульт управления рассчитан на управление заранее предназначенными каменкой и функциями сауны. Использование устройства в любых других целях запрещено.
- Подключать устройство к электросети может только квалифицированный электрик в соответствии с действующими нормами. Лицо, ответственное за установку устройства, должно предоставить пользователю инструкцию по установке и эксплуатации, поставляемую вместе с устройством, а также провести необходимое обучение, прежде чем передавать результаты работы по установке.
- Перед обслуживанием всегда отключайте прибор от сети!
- Перед установкой и вводом в эксплуатацию осмотрите устройство на предмет видимых повреждений. Если устройство повреждено, не приступайте к его установке.
- Всегда придерживайтесь значений, указанных в руководстве по эксплуатации каменки. Отклонение от них может привести к возгоранию.
- В помещении сауны можно устанавливать только одну электрическую каменку, если иное не указано в инструкции.
- Устройство должно быть установлено таким образом, чтобы после установки предупредительные надписи оставались легко читаемыми.
- Каменку или устройство нельзя устанавливать в нишу в стене, если в руководстве по эксплуатации не указано иное.

- Если вокруг печи установлено ограждение, необходимо соблюдать безопасные расстояния, указанные в руководстве по эксплуатации печи.
- При необходимости установки аксессуаров каменки всегда следуйте инструкциям по установке и эксплуатации соответствующих аксессуаров.
- Обеспечьте достаточную вентиляцию в парильне (воздух должен обновляться шесть раз в час).
- Не размещайте устройство приточной вентиляции таким образом, чтобы поток воздуха охлаждал термостат (см. инструкцию по установке термостата).
- Если сетевой шнур поврежден, то во избежание опасных ситуаций произвести его замену должен либо производитель, либо представитель сервисной службы, либо иное лицо соответствующей квалификации.
- Из-за термической хрупкости кабеля с ПВХ-изоляцией запрещено использовать в качестве соединительных кабелей для каменки.
- При установке каменки обязательно проверьте состояние коммутаторов в соединительной коробке. Мы рекомендуем пользоваться винтовыми соединениями. Избегайте разъемов с подпружиненными контактами!
- Не подключайте электричество к электрической каменке через устройство защитного отключения.
- Если устройство используется в общественной сауне без таймера, световой индикатор мощности должен быть размещен в комнате, из которой используется прибор.
- Обязательно носите защитные перчатки при установке и обслуживании печи, а также при добавлении камней.
- Полностью закрывайте нагревательные элементы камнями; ненакрытый раскаленный нагревательный элемент может стать причиной пожара!
- Не размещайте в пространстве для камней и рядом с ним никаких предметов или устройств, которые могут повлиять на объем или направление воздушного потока, проходящего через печь.

Эксплуатация и купание

- Дети в возрасте 8 лет и старше, а также лица с ограниченными физическими, сенсорными или умственными способностями или с недостаточным опытом и знаниями могут использовать это устройство при условии, что они находятся под присмотром или проинструктированы о безопасном использовании устройства и понимают связанные с этим риски.

- Детям не разрешается играть с устройством. Дети не должны чистить прибор или проводить его техническое обслуживание без присмотра.
- Соблюдайте осторожность при эксплуатации нагретой каменки. Камни и металлические элементы каменки достаточно горячие, чтобы вызвать ожог.
- Перед включением каменки всегда проверяйте, чтобы на ней или рядом с ней не было посторонних предметов.
- При первом нагреве каменки обеспечьте достаточную вентиляцию, так как она может источать неприятный запах.
- Не лейте сразу много воды на печь, так как из-за этого могут образоваться обжигающие брызги.
- Не лейте воду на печь, если рядом с ней кто-то находится.
- Не используйте ковш объемом более 0,2 л.
- Не используйте воду другого типа, кроме той, что указана в руководстве к печи.
- Если вы собираетесь использовать ароматизаторы для воды, то применяйте только те, которые предназначены для саун, и следуйте инструкциям по их применению.
- Длительное пребывание в горячей сауне повышает температуру тела, что может быть опасно.
- Не подпускайте детей к печи.
- Не оставляйте в сауне без присмотра детей, людей с ограниченными возможностями передвижения, инвалидов и других слабых людей.
- Проконсультируйтесь с врачом, если у вас есть какие-либо ограничения по здоровью, связанные с посещением сауны.
- Будьте осторожны при передвижении в сауне, так как скамейки и пол могут быть скользкими.
- Не посещайте горячую сауну, если находитесь под воздействием алкоголя, лекарств, наркотиков или любых других одурманивающих веществ.
- Не спите в нагретой сауне.
- Морской климат и другие влажные климатические условия могут вызвать коррозию металлических поверхностей печи.
- Из-за риска возгорания не используйте сауну в качестве сушилки для белья. Высокая влажность также может повредить электрические приборы.
- Не сбрасывайте защиту от перегрева нажатием кнопки сброса до тех пор, пока не будет установлена причина ее срабатывания. Сброс защиты от перегрева должен выполняться только квалифицированным специалистом по обслуживанию, если в

инструкции не указано иное.

- По истечении времени работы убедитесь, что каменка точно выключилась и перестала нагреваться.
- Горячие каменные осколки, падающие из печи, могут повредить напольное покрытие и привести к возникновению пожара.
- В общественных саунах, где каменка используется без таймера или непрерывно в течение более длительного времени, чем позволяет установленный на заводе таймер на каменке или пульте управления, необходимо постоянно следить за работой устройства.
- Перед повторным включением или дистанционным включением каменки следует всегда осматривать помещение парильни и зону вокруг каменки.
- Перед переводом устройства в режим ожидания для дистанционного управления или работы по предварительному расписанию необходимо всегда проверять помещение парильни и условия работы каменки.
- Согласно стандарту IEC/EN 60335-2-53 для каменок с электрическим нагревом, блоки управления с функцией дистанционного запуска могут использоваться для управления и регулирования работы каменки, если на каменке или двери сауны установлен соответствующий механизм защитного отключения (дверца или предохранительный выключатель).

Техническое обслуживание

- Все операции по обслуживанию, требующие специальных навыков, должны выполняться квалифицированным специалистом.
- Время от времени протирайте каменку влажной тканью, чтобы убрать пыль и грязь. При необходимости используйте мягкие моющие средства. Не используйте проточную воду для уборки.
- Прежде чем приступить к чистке, убедитесь, что устройство полностью остыло.
- Перекладывайте камни и заменяйте разбитые камни не реже одного раза в год.

2. ПЕРЕД УСТАНОВКОЙ

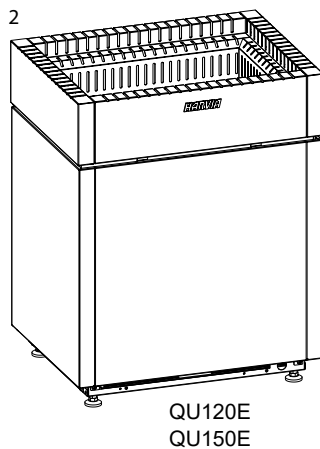
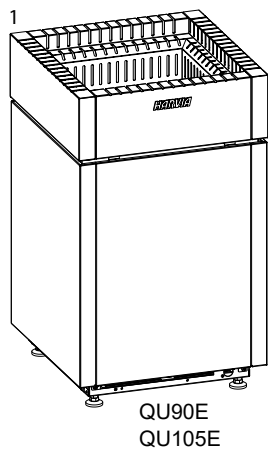
- Каменку необходимо транспортировать только в вертикальном положении.
- Поднимать и перемещать каменку нужно, поддерживая ее за наружный корпус.
- Перед тем как использовать каменку, снимите с нее защитную пленку.



Контрольный перечень перед установкой каменки

- Проверьте целостность каменки. При наличии повреждений не используйте ее. Сообщите поставщику о любых повреждениях при транспортировке.
- Каменка подходит по мощности и типу для данной парильни. Значения объема сауны не должны быть больше или меньше, чем (5. Technical information) (7.2. Sauna heater power)
- Напряжение питания подходит для каменки.
- Каменка установлена с соблюдением минимальных безопасных расстояний (6.1. Safety distances)
- Расположение датчика температуры/защиты от перегрева зависит от особенностей каменки. Убедитесь, что термостат установлен в соответствии с инструкциями.
- Убедитесь, что камни уложены в каменку в соответствии с инструкциями.
- Если необходимо установить комплектующие, следуйте инструкциям, приведенным в руководствах по установке и эксплуатации соответствующих комплектующих.
- Убедитесь, что пульт управления совместим с каменкой. Вы можете проверить совместимость последних моделей пультов управления на сайте Harvia.com.
- Сохраните настоящее руководство для использования в дальнейшем.

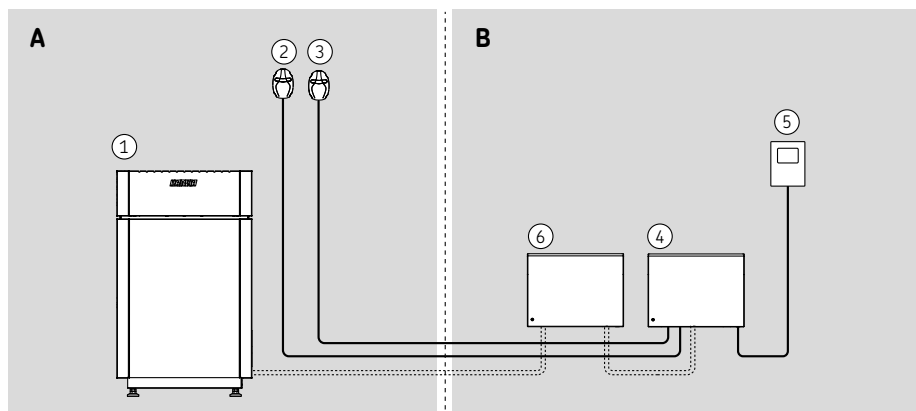
3. КОМПЛЕКТ ПОСТАВКИ



1. Каменка

2. Руководство по установке и эксплуатации

4. ПРИМЕР УСТАНОВОЧНОГО ПАКЕТА



А. Парильня

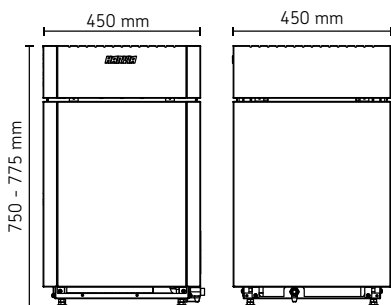
1. Каменка
2. Датчик температуры
3. Датчик влажности

В. Сухое помещение

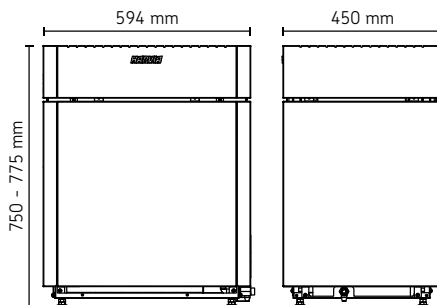
4. Блок управления
5. Панель управления
6. удлинитель мощности (опция, должен использоваться, если 2 группы или более 11 кВт)

5. ТЕХНИЧЕСКАЯ ХАРАКТЕРИСТИКИ

QU90E, QU105E



QU120E, QU150E



АННЫЕ ПО УСТАНОВКЕ				
	QU90E	QU105E	QU120E	QU150E
Мощность (кВт) каменки	9	10.5	12	15
Рабочее напряжение	400 V 3N- 230 V 1N-	400 V 3N- 230 V 1N-	400 V 3N-	400 V 3N-
Группы электрооборудования	1 группа	1 группа	2 группы	2 группы
Частота (Гц)	50 / 60	50 / 60	50 / 60	50 / 60
Кабель электропитания	5 x 2.5 mm ²	5 x 2.5 mm ²	5 x 2.5 mm ²	5 x 2.5 mm ²
Тип соединительного кабеля	H07RN-F or equivalent	H07RN-F or equivalent	H07RN-F or equivalent	H07RN-F or equivalent
Класс защиты	IPX4	IPX4	IPX4	IPX4
Диапазон температур хранения	0-50°C	0-50°C	0-50°C	0-50°C
КАМНИ				
	QU90E	QU105E	QU120E	QU150E
Размер камней (см)	Ø 5-10	Ø 5-10	Ø 5-10	Ø 5-10
Количество камней (кг)	25	25	40	40
РАЗМЕРЫ				
	QU90E	QU105E	QU120E	QU150E
Высота (мм)	750 - 775	750 - 775	750 - 775	750 - 775
Ширина (мм)	450	450	594	594
Длина (мм)	450	450	450	450
Вес (кг)	34	34	40	40

RU

ПАРИЛЬНЯ				
	QU90E	QU105E	QU120E	QU150E
Объем помещения (м³)	9-14	10-15	14-18	18-25
Минимальная высота сауны (мм)	1900	1900	1900	1900
УТВЕРЖДЕННЫЕ АКСЕССУАРЫ				
	QU90E	QU105E	QU120E	QU150E
Ограждение	QUBE-L5 QUBE-W5	QUBE-L5 QUBE-W5	QUBE-L6 QUBE-W6	QUBE-L6 QUBE-W6
Предохранительные устройства SFE	SFE-500500	SFE-500500	SFE-500500	SFE-500500
СОВМЕСТИМЫЕ ПУЛЬТЫ УПРАВЛЕНИЯ				
	QU90E	QU105E	QU120E	QU150E
Ознакомьтесь с последними моделями пультов управления на нашем сайте harvia.com	FX110 CX110 C105VKK Pro B2 Pro C2 Pro D2 Pro D2i	FX110 CX110 C105VKK Pro B2 Pro C2 Pro D2 Pro D2i	FX170 CX170 C105VKK *) Pro B2 *) Pro C2 *) Pro D2 *) Pro D2i *)	FX170 CX170 C105VKK *) Pro B2 *) Pro C2 *) Pro D2 *) Pro D2i *)
УСИЛИТЕЛИ МОЩНОСТИ *)				
	QU90E	QU105E	QU120E	QU150E
Ознакомьтесь с последними моделями усилителей мощности на нашем сайте harvia.com	LTY17 0-S2-18 0-S2-18S	LTY17 0-S2-18 0-S2-18S	LTY17 0-S2-18 0-S2-18S	LTY17 0-S2-18 0-S2-18S
*) опция, должен использоваться, если 2 группы или более 11 кВт				

RU

Таблица 1. Техническая характеристики

6. РУКОВОДСТВО ПО УСТАНОВКЕ



Всегда придерживайтесь значений, указанных в руководстве по эксплуатации каменки. Отклонение от них может привести к возгоранию.



В помещении сауны можно устанавливать только одну электрическую каменку, если иное не указано в инструкции.

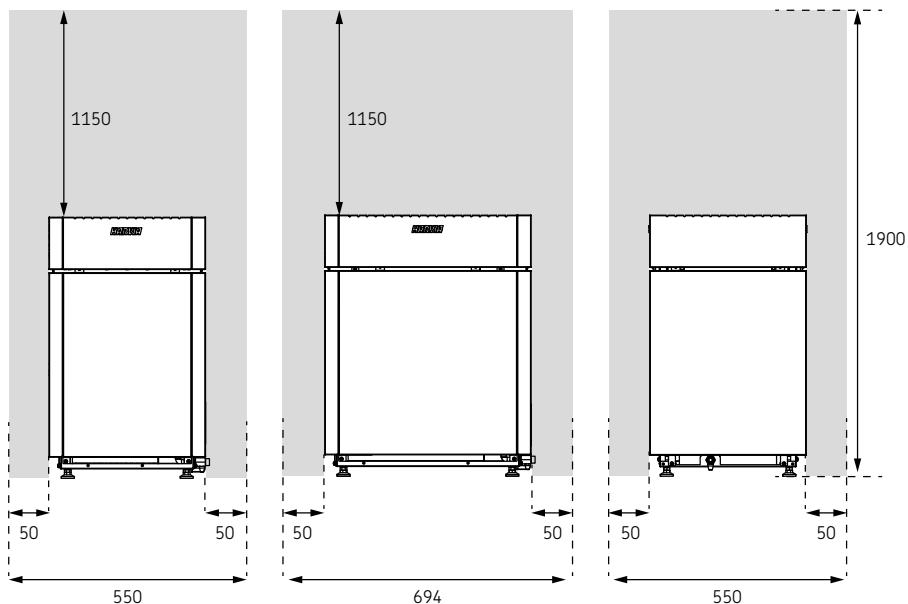


Устройство должно быть установлено таким образом, чтобы после установки предупредительные надписи оставались легко читаемыми.

6.1. Безопасное расстояние

- Минимальные защитные расстояния до горючих материалов показаны на рисунке (Рисунок 1. Безопасное расстояние).
- Если вокруг каменки установлено ограждение, необходимо соблюдать безопасные расстояния, указанные на рисунке (Рисунок 1. Безопасное расстояние) или в инструкции по установке ограждения.

(min. mm)



RU

Рисунок 1. Безопасное расстояние

6.2. Установка каменки

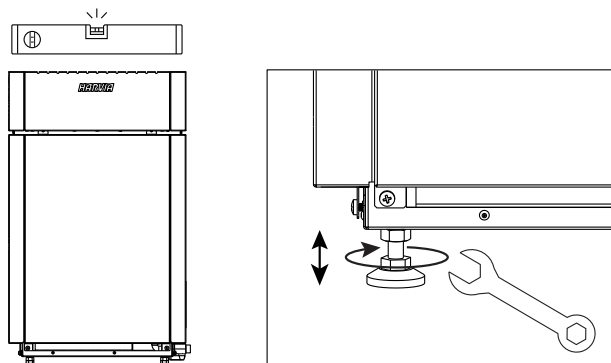


Рисунок 2. Установка каменки

6.3. Установка пульта управления и термостата



Не размещайте устройство приточной вентиляции таким образом, чтобы поток воздуха охлаждал термостат.

- К пульту управления прилагается подробная инструкция о том, как прикреплять его на стену.
- Установите термостат, как показано на рисунке. Если каменка установлена на расстоянии более 150 мм от стены, термостат должен быть установлен на потолке.

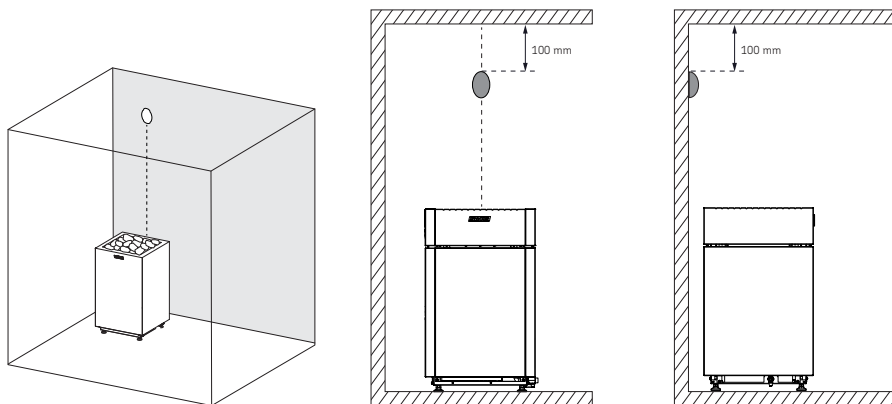


Рисунок 3а. Установка термостата на стене

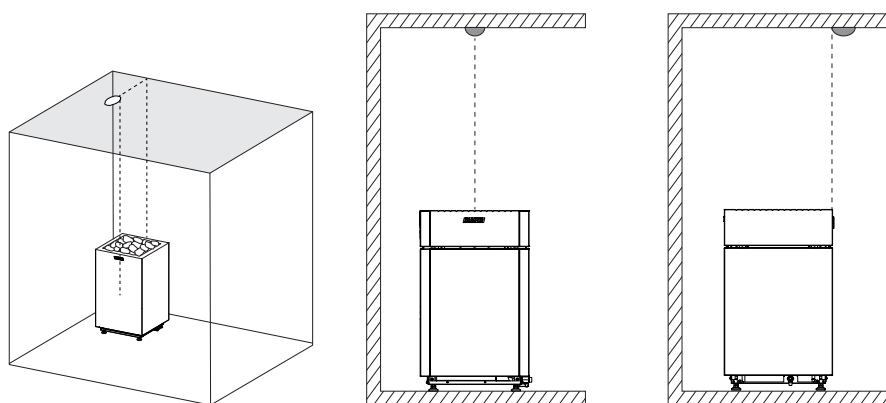


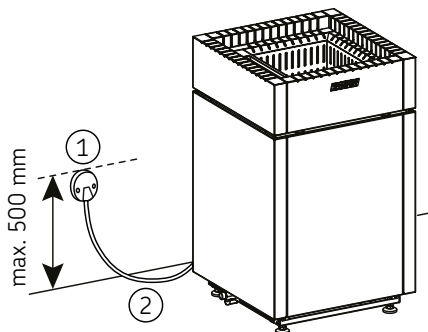
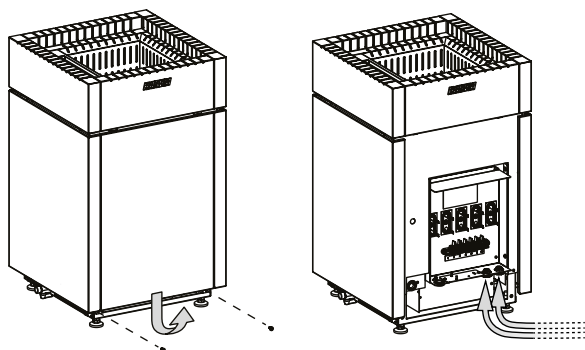
Рисунок 3б. Установка термостата на потолке

6.4. Электрические соединения



Подключать каменку к электросети может только квалифицированный электрик в соответствии с действующими нормами.

- Каменка подключается к соединительной коробке на стене сауны. Соединительная коробка должна быть защищена от брызг и находиться на высоте не более 500 мм от пола.
- Соединительный кабель должен быть резиновым типа H07RN-F или эквивалентным. ПРИМЕЧАНИЕ: Из-за термической хрупкости кабеля с ПВХ-изоляцией запрещено использовать в качестве соединительных кабелей для каменки.
- Если соединительные или монтажные кабели проложены в сауне или внутри стен сауны на высоте более 1 000 мм над полом, они должны выдерживать температуру не менее 170 °С под нагрузкой (например, кабели в силиконовой оболочке). Электрооборудование, установленное на высоте более 1 000 мм от пола сауны, допускается к эксплуатации при температуре окружающей 125 °С (маркировка T125).



- | |
|---------------------------|
| 1. Соединительная коробка |
| 2. Кабель |

Рисунок 4. Электрические соединения

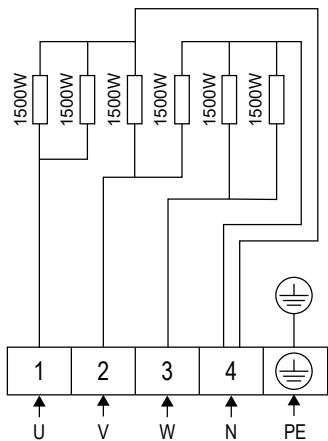


Рисунок 5. Электрическая схема QU90E

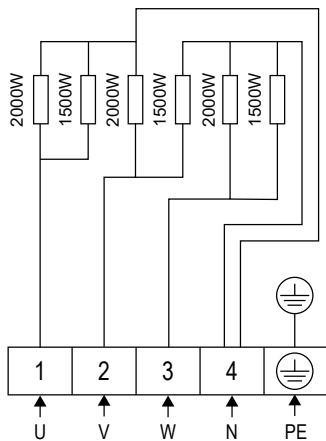


Рисунок 6. Электрическая схема QU105E

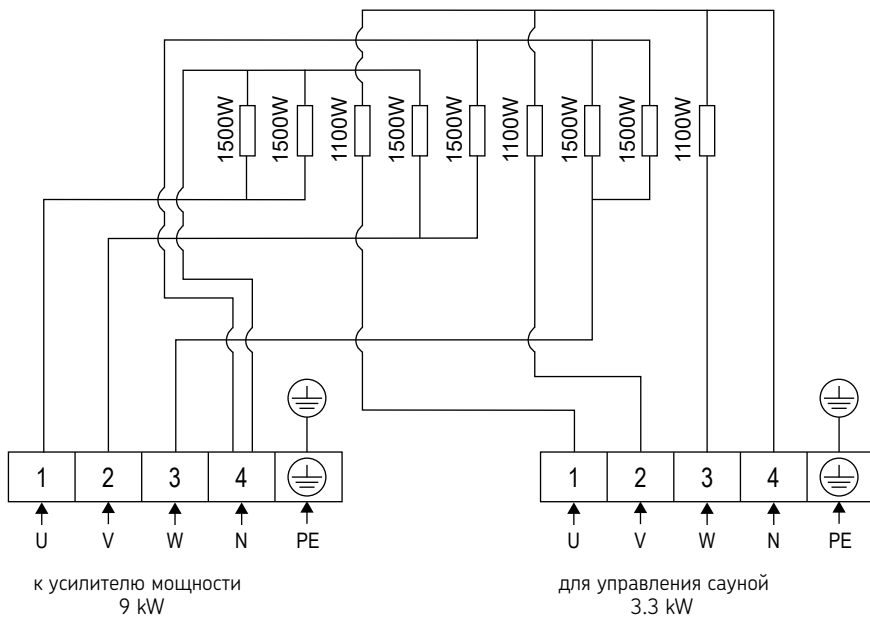


Рисунок 7. Электрическая схема QU120E

RU

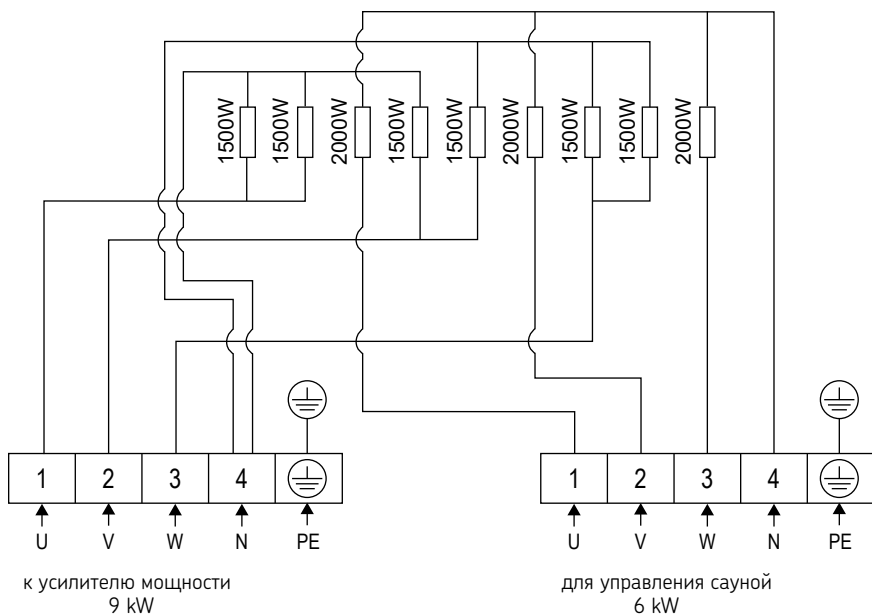


Рисунок 8. Электрическая схема QU150E

6.5. Сопротивление изоляции электрической каменки



Не подключайте электричество к электрической каменке через устройство защитного отключения!

При окончательной проверке электрооборудования измерение сопротивления изоляции каменки может показать «утечку» из-за впитывания влаги в воздухе (при хранении/транспортировке) в изоляционный материал нагревательных элементов. Влага в нагревательных элементах должна испариться после нескольких циклов нагрева.

6.6. Наполнение каменки камнями



Камни каменки имеют важное значение для безопасности каменки. Для сохранения гарантии в силе пользователю следует производить надлежащее техобслуживание каменки и камней в соответствии с характеристиками и инструкциями руководства.



Не размещайте в пространстве для камней каменки или поблизости от нее никаких предметов или устройств, которые могут изменить количество или направление воздуха, проходящего через каменку.



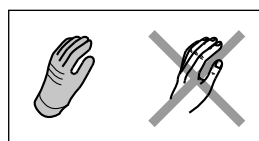
Если вокруг нагревательного элемента не будет достаточного количества камней, окружающие его материалы могут разогреться до опасной температуры даже на таком расстоянии, которое считается безопасным для каменки. Убедитесь, что из-за камней не проглядывают нагревательные элементы. Ответственность за надлежащее обслуживание пространства для камней лежит на пользователе в течение всего срока службы каменки.


Важная информация: пригодность различных каменных пород для укладки в каменках:

- Подходящие каменные породы для укладки в каменки: перидотит, оливиновый диабаз, оливин и вулканический базальт (вулканит).
- В каменках используйте только камни со сколотыми гранями или шлифованные камни.
- Если нагревательные элементы каменки соприкасаются с камнями, то шлифованные камни следует использовать для укладки только верхнего слоя, чтобы они не соприкасались с нагревательными элементами.
- Керамические и декоративные камни можно применять в каменке только, если они одобрены производителем и используются в соответствии с инструкциями руководства каменки.
- Обратите внимание, что декоративные камни подходят только для укладки верхнего слоя каменки. Декоративные камни необходимо размещать в каменке свободно, для обеспечения достаточной циркуляции воздуха. Укладывайте декоративные камни так, чтобы они не соприкасались с нагревательными элементами.
- Гарантия не распространяется на повреждения, вызванные использованием декоративных камней или камней для каменки, не одобренных производителем.
- Прежде чем поместить камни в нагреватель, смойте с них каменную пыль.

При наполнении каменки камнями соблюдайте следующие правила:

- Начните с того, что внизу и по бокам уложите камни покрупнее. Это обеспечит достаточную вентиляцию воздуха и придаст емкости с камнями необходимую устойчивость.
- Укладывайте камни по одному. Не бросайте камни в пространство для камней.
- Не перегружайте камнями верх печи. Камни можно укладывать до уровня воздухопроводов. Чрезмерное количество камней затрудняет вентиляцию и снижает эффективность каменки.
- Рекомендуется иметь в запасе некоторое количество камней для замены треснувших и пополнения новыми в случае опускания имеющегося уровня камней.



	QU90E QU105E	QU120E, QU150E
	Ø 5-10 см	Ø 5-10 см
	25 кг	40 кг

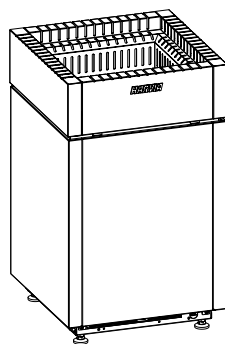
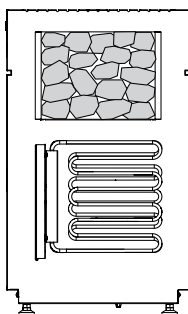
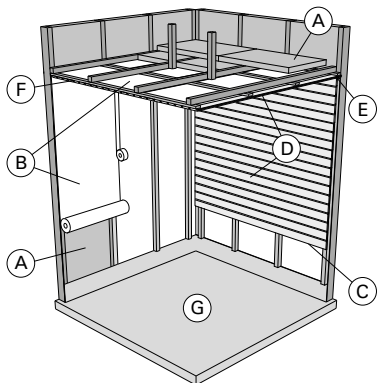


Рисунок 9. Наполнение каменки камнями

7. ПОМЕЩЕНИЕ САУНЫ

7.1. Устройство помещения сауны



- A. Изоляционная вата, толщина 50-100 мм. Необходимо произвести тщательную изоляцию помещения сауны для возможности использования каменки относительно минимальной мощности.
- B. Пароизоляция, например, алюминиевая бумага. Установите алюминиевую бумагу блестящей стороной к внутреннему помещению сауны. Швы тщательно проклейте алюминиевой клейкой лентой.
- C. Между пароизоляционным материалом и обшивочной доской рекомендуется оставлять вентиляционный зазор около 10 мм.
- D. Маломассивная обшивочная доска толщиной 12-16 мм. Перед началом обшивания доской выясните, где будет проходить электропроводка, а также каковы требования к прочности стен в местах крепления каменки и полков.
- E. Между обшивкой стен и потолка вентиляционный зазор около 3 мм.
- F. Высота помещения сауны обычно 2100 - 2300 мм. Минимальная высота зависит от модели каменки (см. Технические данные). Расстояние между верхним полком и потолком не должно превышать 1200 мм.
- G. Для покрытия пола используйте керамические материалы, а для швов материалы темных цветов. Мелкие фрагменты камней и примеси в воде могут загрязнить и/или повредить покрытие пола, легко подвергающееся повреждению.

ВНИМАНИЕ! Выясните у представителей пожарной охраны, какие элементы противопожарной защиты можно изолировать. Изоляция действующих дымоходов запрещена.

ВНИМАНИЕ! Легкая защита, установленная прямо на стену или поверхность потолка, может вызвать пожар.

ВНИМАНИЕ! Вода, поступающая на пол, должна отводиться в сток в полу.

7.2. Мощность каменки

Если стены и потолок покрыты обшивочной доской, а за ней проложен достаточный изоляционный слой, то мощность каменки следует определять, исходя из объема помещения сауны. Неизолированные поверхности стен (кирпич, стеклоблоки, стекло, бетон, кафель и т.д.) влияют на увеличение требуемой мощности каменки. Прибавьте к объему помещения сауны 1,2 м³ на каждый м² неизолированной стены. Например, сауна объемом 10 м³ со стеклянной дверью соответствует по требуемой мощности каменки сауне объемом около 12 м³. Если в сауне бревенчатые стены, умножьте объем сауны на 1,5. (5. Техническая характеристики)

7.3. Потемнение стен в сауне

Потемнение со временем деревянных поверхностей в сауне является нормальным явлением. Процесс потемнения могут ускорить следующие факторы:

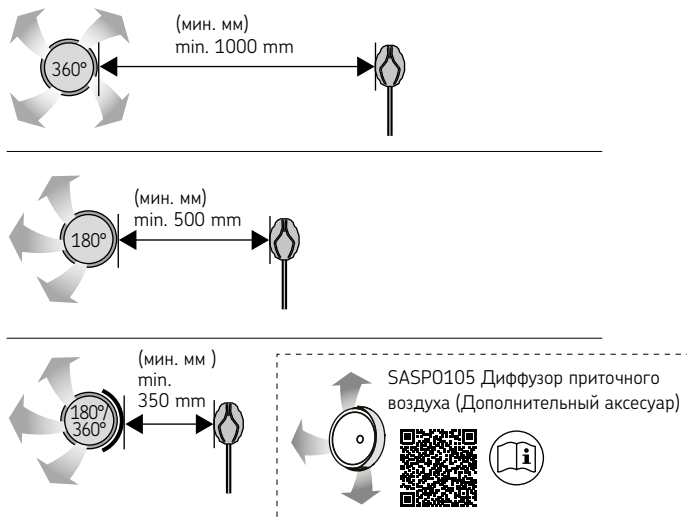
- солнечный свет
- тепло от каменки
- защитные составы для стен (защитные составы плохо держат высокие температуры)
- мелкие частицы камней и каменная пыль, поднимающаяся вместе с потоками воздуха..

7.4. Вентиляция помещения сауны

! Датчик температуры всегда устанавливается в определённом месте. Если минимальное расстояние от вентиляционного отверстия не соблюдается, следует поменять вентиляцию!

! Вентиляционное окно не должно охлаждать температурный датчик

- Воздух в сауне должен заменяться шесть раз в час.
- **Механическая вентиляция:** Воздушное вентиляционное отверстие располагается в верхней части сауны, чтобы не мешать работе датчика температуры. (Рисунок 9. Минимальное расстояние от температурного датчика до вентиляционной отдушины.)
- **Нагнетательная вентиляция:** Отверстие воздушной вентиляции размещается ниже или рядом с каменкой сауны. Диаметр воздушного вентиляционного отверстия должен составлять от 50 мм до 100 мм.
- Вытяжное вентиляционное отверстие. Помещайте вытяжное отверстие рядом с полом как можно дальше от каменки. Диаметр вытяжной трубы должен быть в два раза больше диаметра приточной трубы.
- Дополнительная осушающая вентиляция (не работает при нагреве и работе сауны). Сауну также можно просушивать, оставляя после использования дверь открытой.
- Если вытяжное вентиляционное отверстие находится в душевой, зазор под дверь сауны должен быть не менее 100 мм. Обязательно используйте механическую вентиляцию.



RU

Рисунок 10. Минимальное расстояние от температурного датчика до вентиляционной отдушины.

7.5. Гигиена сауны

- Рекомендуется пользоваться подстилками для сауны, чтобы пот не стекал на полки.
- Полки, стены и пол в сауне следует тщательно мыть не реже, чем раз в полгода. Используйте для этого жесткую щетку и специальное моющее средство для сауны.
- Каменку следует протирать от пыли и грязи влажной тряпочкой. Пятна известки на каменке следует чистить раствором с 10% содержанием лимонной кислоты, а затем сполоснуть.

8. РУКОВОДСТВО ПО ЭКСПЛУАТАЦИИ

8.1. Использование каменки



Перед включением каменки всегда проверяйте, чтобы на ней или рядом с ней не было посторонних предметов.

- Каменка управляется с помощью отдельного пульта управления. Обратитесь к инструкции по эксплуатации, прилагаемой к пульта управления.
- При первом использовании каменка и камни выделяют запахи, для удаления которых необходима хорошая вентиляция в парильне.
- Если мощность каменки соответствует нужной для парильни, то правильно теплоизолированная парильня нагревается до рабочей температуры примерно за час. Каменка обычно нагревается за то же время, что и парильня.
- Подходящая для парильни температура – около 65–80 °С.

8.2. Выливание воды



Не используйте ковш объемом более 0,2 л. Если налить на каменку сразу слишком много воды, она может вскипеть и забрызгать парящихся.



Если около каменки кто-то находится, не лейте на нее воду во избежание ожогов.

- По мере нагревания сауны воздух в ней высыхает. Поэтому необходимо повышать влажность, добавляя воду на камни каменки.
- Реакция на жар и влажность индивидуальна у каждого человека — поэкспериментируйте, чтобы найти подходящие для вас.
- Старайтесь лить воду только на камни каменки.

8.3. Требования к качеству воды

- Вода, используемая в сауне, должна соответствовать требованиям к качеству воды для бытовых нужд (Таблица 2.).
- Использовать можно только предназначенные для воды в сауне ароматизаторы. Следуйте инструкциям, прилагаемым к ароматизаторам.

Качество воды	Влияние	Рекомендации
Органические примеси	Цвет, вкус, осадок	<12 мг/л
Содержание железа	Цвет, запах, вкус, осадок	<0,2 мг/л
Содержание марганца (Mn)	Цвет, запах, вкус, осадок	<0,10 мг/л
Жесткость воды: основными компонентами являются кальций (Ca) и магний (Mg)	Осадок	Ca: <100 мг/л Mg: <100 мг/л
Хлористая вода	Коррозия	Cl: <100 мг/л
Хлорированная вода	Опасность для здоровья	Запрещено использовать
Морская вода	Интенсивная коррозия	Запрещено использовать
Концентрация мышьяка и радона	Опасность для здоровья	Запрещено использовать

Таблица 2.

8.4. Указания по купанию

- Начните посещение сауны с мытья.
- Находитесь в сауне столько, сколько вам удобно.
- Отрешитесь от мыслей и расслабьтесь.
- В сауне вежливо обращать внимание на других посетителей, стремитесь не мешать им своим шумным поведением.
- Не наливайте слишком много воды, чтобы другим посетителям не пришлось уходить со своих скамеек.
- Охладите кожу. Если вы здоровы, то можете охладиться, наслаждаясь плаванием.
- Завершая свой сеанс в сауне, вымойтесь.
- Отдохните и дайте себе успокоиться. Насладитесь освежающим напитком, чтобы восстановить баланс жидкости.



Все операции по обслуживанию, требующие специальных навыков, должны выполняться квалифицированным специалистом.

9.1. Камни для печи

- Из-за интенсивного циклического изменения температуры камни каменки постепенно разрушаются и крошатся в процессе эксплуатации. При частом использовании сауны камни в каменке следует менять не реже одного раза в год или чаще.
- При этом следует удалить все скопившиеся каменные обломки и заменить все разбитые камни. Это обеспечит сохранность свойств каменки для сауны при распаривании и исключит риск перегрева.
- Время от времени проверяйте, не опустился ли уровень камней. Следите за тем, чтобы нигде не проглядывали нагревательные элементы. Скорее всего, уровень камней опустится месяца через два после укладки камней.

9.2. Устранение неполадок

Каменка не нагревается

- Убедитесь в исправности предохранителей в электрическом щитке каменки.
- Убедитесь, что соединительный кабель каменки подключен.
- Убедитесь, что не сработала защита от перегрева (см. инструкции по установке пульта управления).

Парильня нагревается медленно. Налитая на каменку вода быстро охлаждает камни

- Убедитесь в исправности предохранителей в электрическом щитке каменки.
- Убедитесь, что все нагревательные элементы светятся, когда каменка включена.
- Установите более высокую температуру (см. инструкцию по установке пульта управления).
- Убедитесь, что мощность каменки не слишком мала.
- Проверьте, правильно ли организована вентиляция в парильне.

Парильня быстро нагревается, но камни не успевают нагреться. Вода, попавшая на каменку, не испаряется, а стекает по пространству для камней

- Убедитесь, что мощность каменки не слишком велика.
- Проверьте, правильно ли организована вентиляция в парильне.

Панели или другие материалы рядом с каменкой быстро темнеют

- Убедитесь, что соблюдены все требования относительно безопасного расстояния.
- Убедитесь, что из-за камней не проглядывают нагревательные элементы. Если это заметно, заново уложите камни и убедитесь, что нагревательные элементы полностью закрыты.
- См. также пункт (7.3. Потемнение стен в сауне).

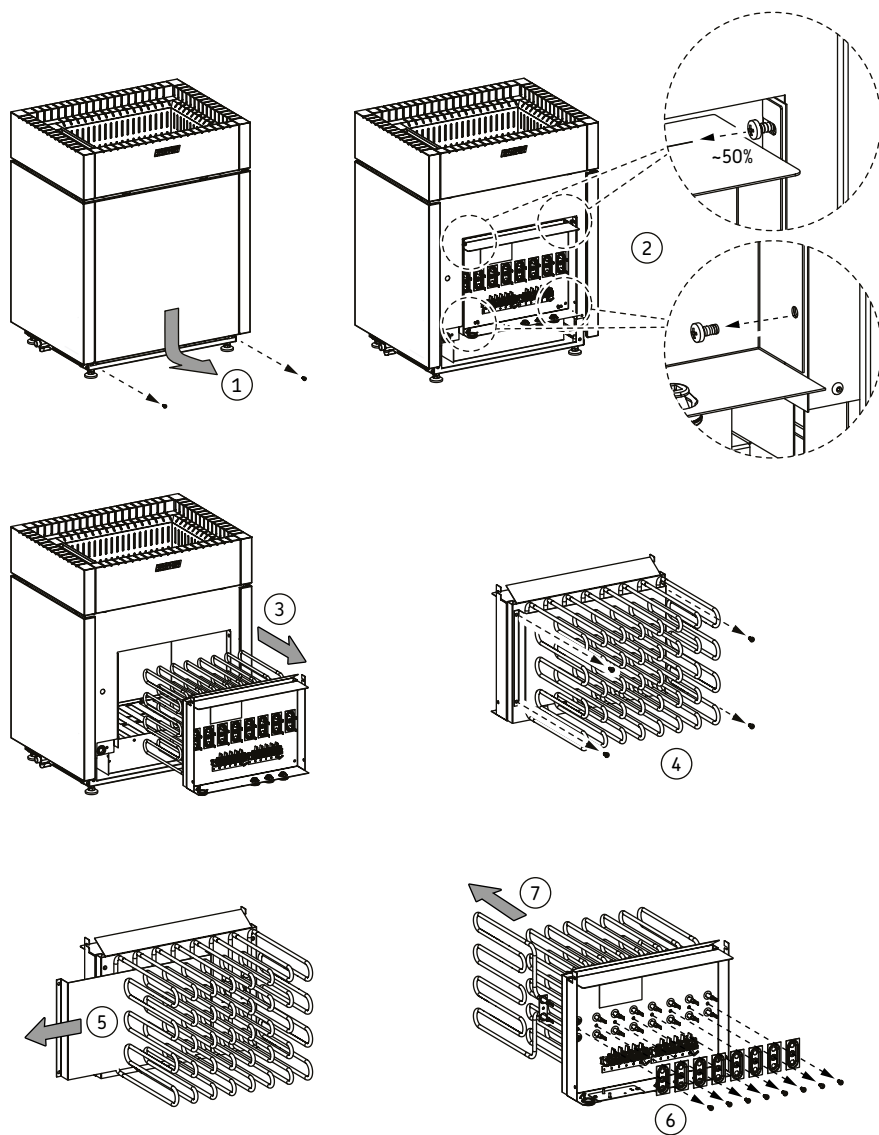
Каменка производит неприятный запах

- См. пункт (8.1. Использование каменки)
- Горячая каменка может усиливать запахи, присутствующие в воздухе, но сама сауна или каменка не имеет посторонних запахов. Например, каменка может усиливать запахи красок, клея, печного топлива и благовоний.

Каменка производит шум

- Эпизодические удары обычно вызваны камнями, которые раскалываются от жары.
- Тепловое расширение деталей каменки может вызывать шум при ее нагреве

9.3. Замена нагревательных элементов



RU

Рисунок 11. Замена нагревательных элементов

10. ЗАПАСНЫЕ ЧАСТИ

spareparts.harvia.com



11. УСЛОВИЯ ГАРАНТИИ

www.harvia.com



Harvia Qube

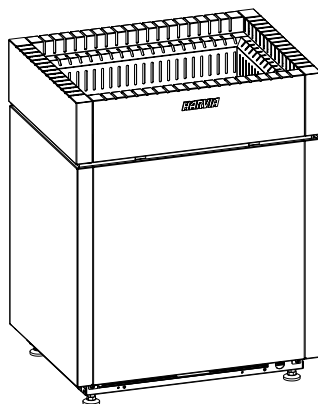
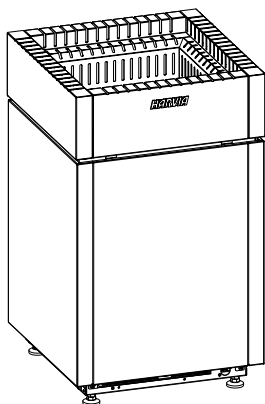
Elektryczny piec do sauny
Instrukcja montażu i użytkowania

HARVIA

Sauna & Spa

Let's sauna.

Nr artykułu	Typ	Moc
HQU904M	QU90E	9 kW
HQU1054M	QU105E	10,5 kW
HQU1204M	QU120E	12 kW
HQU1504M	QU150E	15 kW



PL



Gratulujemy wyboru doskonałego pieca do sauny!

Piec do sauny Harvia będzie działał optymalnie i posłuży przez długi czas, jeśli będzie używany i konserwowany w sposób opisany w niniejszej instrukcji. Przed montażem lub eksploatacją pieca do sauny należy przeczytać instrukcję. Należy zachować ją na przyszłość. Instrukcje instalacji i obsługi dostępne są również na naszej stronie internetowej pod adresem www.harvia.com.

SPIS TREŚĆ

1. OSTRZEŻENIA I UWAGI	3
2. PRZED MONTAŻEM	7
3. ELEMENTY ZESTAWU	8
4. PRZYKŁADOWY PAKIETU MONTAŻOWY	8
5. DANE TECHNICZNE	9
6. INSTRUKCJA MONTAŻU	11
6.1. Odległości bezpieczeństwa	11
6.2. Montaż pieca do sauny.....	12
6.3. Montaż sterownika i czujników.....	13
6.4. Połączenia elektryczne	14
6.5. Rezystancja izolacji elektrycznego pieca do sauny	16
6.6. Umieszczanie kamieni do sauny	17
7. KABINA SAUNY	18
7.1. Konstrukcja kabiny sauny.....	18
7.2. Moc pieca	18
7.3. Ciemnienie ścian sauny.....	18
7.4. Wentylacja kabiny sauny	19
7.5. Higiena kabiny	19
8. INSTRUKCJA UŻYTKOWANIA	20
8.1. Korzystanie z pieca do sauny	20
8.2. Polewanie wodą.....	20
8.3. Wymagania dotyczące jakości wody	21
8.4. Instrukcja kąpielii.....	21
9. UTRZYMANIE I KONSERWACJA	22
9.1. Kamienie do pieca do sauny.....	22
9.2. Wykrywanie i usuwanie usterek.....	22
9.3. Wymiana elementów grzejnych	23
10. CZĘŚCI ZAMIENNE	24
11. WARUNKI GWARANCJI	24

1. OSTRZEŻENIA I UWAGI



Przed użyciem urządzenia należy się dokładnie zapoznać z ostrzeżeniami i instrukcjami.



OSTRZEŻENIE! Niezastosowanie się to tego ostrzeżenia może prowadzić do poważnych obrażeń lub śmierci.



PRZESTROGA! Niezastosowanie się do tego ostrzeżenia może prowadzić do drobnych lub poważnych obrażeń ciała.



Nie zakrywać!

Montaż

- Piec do sauny jest przeznaczony do podgrzewania sauny do wymaganej temperatury. Używanie w jakimkolwiek innym celu jest zabronione. Sterownik jest przeznaczony do sterowania piecem do sauny i jej funkcjami przeznaczonymi dla sterownika. Używanie w jakimkolwiek innym celu jest zabronione.
- Urządzenie może podłączyć do sieci elektrycznej wyłącznie wykwalifikowany elektryk zgodnie z obowiązującymi przepisami. Przed przekazaniem prac montażowych osoba odpowiedzialna za montaż urządzenia musi zapewnić użytkownikowi instrukcję instalacji i obsługi dostarczoną wraz z urządzeniem, a także niezbędne szkolenie.
- Przed rozpoczęciem serwisu zawsze należy odłączyć urządzenie od instalacji głównej!
- Przed montażem i uruchomieniem należy sprawdzić urządzenie pod kątem widocznych uszkodzeń. Nie używać uszkodzonego urządzenia.
- Należy zawsze przestrzegać wartości podanych w instrukcji obsługi urządzenia. Niezastosowanie się do nich może spowodować zagrożenie pożarowe.
- W saunie można zainstalować tylko jeden piec elektryczny, chyba że w instrukcji podano inaczej.
- Urządzenie należy zainstalować w taki sposób, aby komunikaty ostrzegawcze można było łatwo odczytać.
- Pieca do sauny ani urządzenia nie wolno instalować we wnęce ściiennej, chyba że w instrukcji użytkownika podano inaczej.

- Jeśli wokół pieca do sauny zainstalowano barierkę, należy przestrzegać odległości bezpieczeństwa wskazanych w instrukcji obsługi pieca.
- Jeśli na urządzeniu mają zostać zainstalowane akcesoria, należy zawsze przestrzegać instrukcji każdego określonego produktu podczas montażu lub eksploatacji.
- Zapewnić odpowiednią wentylację w pomieszczeniu sauny (powietrze powinno być wymieniane sześć razy na godzinę).
- Nie ustawiać otworu nawiewnego w taki sposób, aby strumień powietrza chłodził czujnik ciepła (patrz instrukcja montażu czujnika ciepła).
- Jeśli przewód zasilający jest uszkodzony, producent lub przedstawiciel ds. konserwacji, lub inna wykwalifikowana osoba musi go wymienić, aby zapobiec wszelkim zagrożeniom.
- Zabrania się stosowania przewodu z izolacją PVC jako przewodu przyłączeniowego do pieca ze względu na kruchość, jaką osiąga pod wpływem wysokiej temperatury.
- Podczas instalacji pieca do sauny zawsze sprawdzić stan złączy skrzynki przyłączy. Zalecamy stosowanie złączy śrubowych. Unikać złączy sprężynowych!
- Nie wolno podłączać zasilania do pieca za pomocą wyłącznika różnicowoprądowego.
- Jeśli urządzenie jest używane w saunie publicznej bez regulatora czasowego, lampka kontrolna zasilania powinna być umieszczona w pomieszczeniu, z którego urządzenie jest używane.
- Podczas instalacji i konserwacji, jak również podczas dodawania kamieni do sauny należy zawsze nosić rękawice ochronne.
- Całkowicie przykryć elementy grzejne kamieniami; żarzący się, odstłonięty element grzejny może spowodować zagrożenie pożarowe!
- Nie należy umieszczać żadnych przedmiotów ani urządzeń wewnątrz lub obok przestrzeni przeznaczonej na kamienie w piecu do sauny, ponieważ może to zmienić natężenie lub kierunek powietrza przepływającego przez piec.

PL

Użytkowanie i kąpiel

- Przedmiotowe urządzenie może być używane przez dzieci w wieku co najmniej 8 lat oraz przez osoby o ograniczonych zdolnościach fizycznych, sensorycznych lub umysłowych bądź nieposiadające doświadczenia i wiedzy, pod warunkiem, że będą one nadzorowane lub zostaną poinstruowane w zakresie bezpiecznego korzystania z urządzenia i będą rozumiały związane z tym ryzyko.

- Dzieci nie mogą bawić się urządzeniem. Dzieciom nie wolno czyścić urządzenia ani wykonywać jakichkolwiek czynności konserwacyjnych bez nadzoru.
- Należy zachować ostrożność przy gorącym piecu do sauny. Kamienie i metalowe części pieca do sauny są na tyle gorące, aby poparzyć skórę.
- Przed włączeniem pieca do sauny zawsze sprawdzić, czy na piecu lub w jego pobliżu nie znajdują się żadne przedmioty.
- Podczas kilku pierwszych uruchomień pieca do sauny należy zapewnić odpowiednią wentylację, ponieważ może on wydzielać nieprzyjemny zapach.
- Nie wylewać za jednym razem zbyt dużej ilości wody na piec do sauny, ponieważ może to spowodować rozprysnięcia i oparzenia.
- Nie wylewać wody na piec do sauny, gdy ktoś znajduje się w jego pobliżu.
- Nie używać chochli o pojemności większej niż 0,2 litra.
- Nie używać wody innej niż woda opisana w instrukcji obsługi pieca do sauny.
- W przypadku korzystania z zapachów do wody należy używać tylko takich przeznaczonych do sauny i przestrzegać ich instrukcji użytkowania.
- Długotrwałe przebywanie w gorącej saunie podnosi temperaturę ciała, co może stanowić niebezpieczeństwo.
- Piec do sauny należy chronić przed dziećmi.
- Nie należy pozostawiać dzieci, osób o ograniczonej sprawności ruchowej, chorych lub niedołączonych w saunie bez nadzoru.
- W przypadku jakichkolwiek przeciwwskazań związanych z korzystaniem z sauny należy skonsultować się z lekarzem.
- Podczas poruszania się po saunie należy zachowywać ostrożność, gdyż ławki lub podłoga mogą być śliskie.
- Nie wchodzić do gorącej sauny pod wpływem alkoholu, leków, narkotyków lub innych substancji odurzających.
- Nie należy spać w gorącej saunie.
- Klimat morski i inne wilgotne klimaty mogą wywołać korozję powierzchni metalowych pieca do sauny.
- Ze względu na ryzyko pożarowe sauny nie należy używać jako suszarni na pranie. Wysoka wilgotność może również uszkodzić urządzenia elektryczne.
- Nie należy resetować bezpiecznika termicznego poprzez naciśnięcie przycisku resetowania, dopóki nie zostanie ustalona przyczyna jego zadziałania. Bezpiecznik termiczny powinien resetować wyłącznie wykwalifikowany serwisant, chyba że w instrukcji podano inaczej.

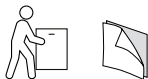
- Po upływie czasu włączenia sprawdzić, czy piec do sauny na pewno wyłączył się i przestał grzać.
- Gorące odłamki kamieni spadające z pieca do sauny mogą uszkodzić podłogę i stanowić zagrożenie pożarowe.
- W saunach publicznych, w których piec jest używany bez regulatora czasowego lub w sposób ciągły przez czas dłuższy niż umożliwiają to fabrycznie ustawiony regulator czasowy pieca lub sterownik, urządzenie musi być stale nadzorowane.
- Przed ponownym lub zdalnym włączeniem pieca do sauny należy zawsze sprawdzić pomieszczenie sauny i obszar wokół pieca.
- Pomieszczenie sauny i otoczenie pieca do sauny należy zawsze sprawdzić przed przełączeniem urządzenia w tryb gotowości na potrzeby zdalnego sterowania lub pracy z zaprogramowanym czasem.
- Zgodnie z normą IEC/EN 60335-2-53 dotyczącą elektrycznie ogrzewanych pieców do sauny, sterowniki z funkcją zdalnego uruchamiania mogą być wykorzystywane do sterowania i regulacji pieca do sauny, gdy na piecu do sauny lub drzwiach sauny zainstalowany jest odpowiedni mechanizm wyłącznika bezpieczeństwa (wyłącznik drzwiowy lub bezpieczeństwa).

Konserwacja

- Wszystkie czynności konserwacyjne wymagające specjalnych umiejętności muszą być wykonywane przez przeszkolonego specjalistę.
- Regularnie przecierać piec do sauny wilgotną ściereczką, aby usunąć kurz i brud. W razie potrzeby użyć łagodnych środków czyszczących. Nie używać bieżącej wody podczas czyszczenia.
- Przed rozpoczęciem czyszczenia upewnić się, że urządzenie całkowicie ostygło.
- Co najmniej raz w roku należy zmienić ułożenie kamieni lub wymienić popękane kamienie na nowe.

2. PRZED MONTAŻEM

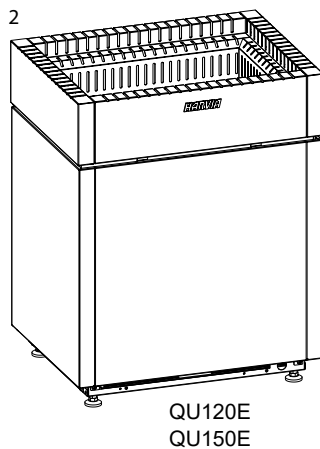
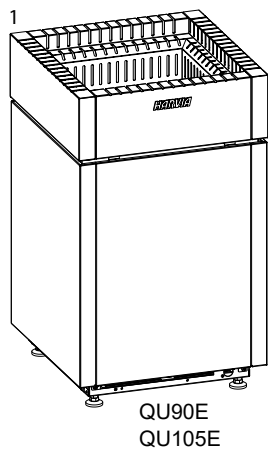
- **Piec do sauny zawsze należy transportować w układzie pionowym.**
- **Piec do sauny można podnosić i przenosić, trzymając go za zewnętrzną obudowę.**
- **Przed użyciem należy zdjąć z pieca folię ochronną.**



Lista kontrolna do montażu pieca do sauny

- Upewnić się, że piec jest nienaruszony. Nie należy używać uszkodzonego pieca do sauny. Wszelkie uszkodzenia, do jakich dojdzie w transporcie, należy zgłaszać dostawcy.
- Piec do sauny jest dopasowany pod względem mocy i typu do danego pomieszczenia sauny. Nie przekroczono oraz nie zaniżono wartości dotyczących kubatury sauny, które podano w (5. Dane techniczne) (7.2. Moc pieca)
- Napięcie zasilania jest odpowiednie dla pieca do sauny.
- Miejsce montażu pieca do sauny odpowiada minimalnej odległości bezpieczeństwa (6.1. Odległości bezpieczeństwa)
- Umieszczenie czujnika temperatury / bezpiecznika termicznego jest dobrane konkretnie do danego pieca do sauny. Upewnić się, że czujnik został zainstalowany zgodnie z instrukcjami.
- Upewnić się, że kamienie zostały załadowane do pieca zgodnie z instrukcją.
- Aby zamontować akcesoria, należy postępować zgodnie z instrukcjami montażu i eksploatacji określonych produktów.
- Upewnić się, że sterownik jest zgodny z piecem do sauny. Zgodność najnowszych modeli sterowników można sprawdzić na stronie Harvia.com.
- Niniejszą instrukcję należy zachować na przyszłość.

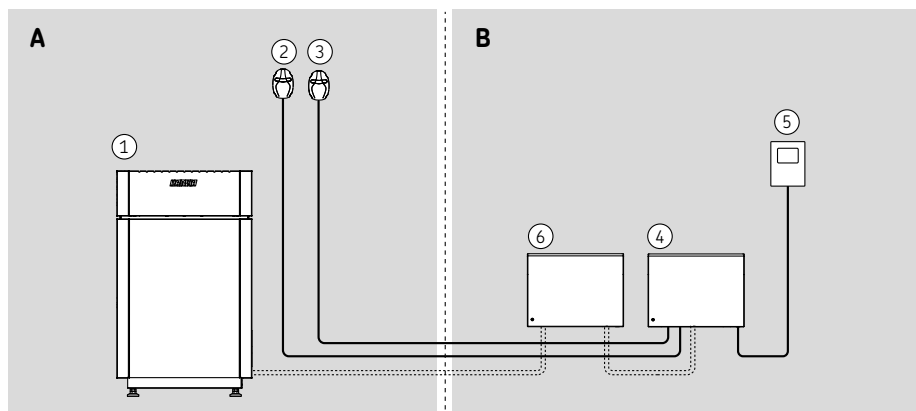
3. ELEMENTY ZESTAWU



1. Piec do sauny

2. Instrukcja montażu i użytkowania

4. PRZYKŁADOWY PAKIETU MONTAŻOWY



A. Kabina sauny

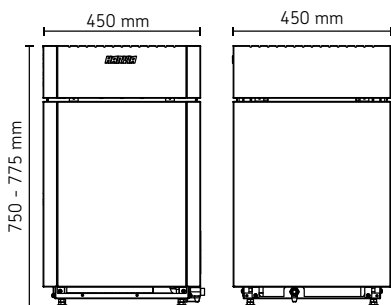
1. Piec do sauny
2. Czujnik temperatury
3. Czujnik wilgotności

B. Sucha przestrzeń

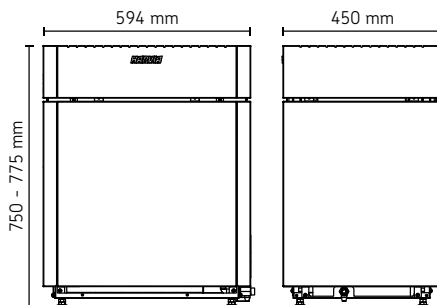
4. Sterownik
5. Panel sterowania
6. rozszerzenie mocy (opcjonalne, musi być używane, jeśli 2 grupy lub więcej niż 11kW)

5. DANE TECHNICZNE

QU90E, QU105E



QU120E, QU150E



DANE MONTAŻOWE

	QU90E	QU105E	QU120E	QU150E
Moc pieca do sauny (kW)	9	10.5	12	15
Napięcia robocze	400 V 3N- 230 V 1N-	400 V 3N- 230 V 1N-	400 V 3N-	400 V 3N-
Grupy elektryczne	1 grupa	1 grupa	2 grupy	2 grupy
Częstotliwość (Hz)	50 / 60	50 / 60	50 / 60	50 / 60
Kabel zasilający	5 x 2.5 mm ²	5 x 2.5 mm ²	5 x 2.5 mm ²	5 x 2.5 mm ²
Typ kabla przyłączeniowego	H07RN-F lub równoważny	H07RN-F lub równoważny	H07RN-F lub równoważny	H07RN-F lub równoważny
Klasa ochrony	IPX4	IPX4	IPX4	IPX4
Temperatura przechowywania	0-50°C	0-50°C	0-50°C	0-50°C

KAMIENIE

	QU90E	QU105E	QU120E	QU150E
Rozmiar kamieni (cm)	Ø 5-10	Ø 5-10	Ø 5-10	Ø 5-10
Ilość kamieni (kg)	25	25	40	40




WYMIARY

	QU90E	QU105E	QU120E	QU150E
Wysokość (mm)	750 - 775	750 - 775	750 - 775	750 - 775
Szerokość (mm)	450	450	594	594
Głębokość (mm)	450	450	450	450
Ciężar (kg)	34	34	40	40

POMIESZCZENIE SAUNY				
	QU90E	QU105E	QU120E	QU150E
Kubatura pomieszczenia (m³)	9-14	10-15	14-18	18-25
Minimalna wysokość sauny (mm)	1900	1900	1900	1900
ZATWIERDZONE AKCESORIA				
	QU90E	QU105E	QU120E	QU150E
Poręcz	QUBE-L5 QUBE-W5	QUBE-L5 QUBE-W5	QUBE-L6 QUBE-W6	QUBE-L6 QUBE-W6
Urządzenia zabezpieczające SFE	SFE-500500	SFE-500500	SFE-500500	SFE-500500
KOMPATYBILNE STEROWNIKI				
	QU90E	QU105E	QU120E	QU150E
Zobacz najnowsze modele sterowników na naszej stronie internetowej www.harvia.com	FX110 CX110 C105VKK Pro B2 Pro C2 Pro D2 Pro D2i	FX110 CX110 C105VKK Pro B2 Pro C2 Pro D2 Pro D2i	FX170 CX170 C105VKK *) Pro B2 *) Pro C2 *) Pro D2 *) Pro D2i *)	FX170 CX170 C105VKK *) Pro B2 *) Pro C2 *) Pro D2 *) Pro D2i *)
Z FUNKCJĄ ZWIĘKSZANIA MOCY *)				
	QU90E	QU105E	QU120E	QU150E
Zobacz najnowsze modele z funkcją zwiększania mocy na naszej stronie internetowej harvia.com	LTY17 0-S2-18 0-S2-18S	LTY17 0-S2-18 0-S2-18S	LTY17 0-S2-18 0-S2-18S	LTY17 0-S2-18 0-S2-18S
*) opcjonalne, musi być używane, jeśli 2 grupy lub więcej niż 11kW				

Tabela 1 Dane techniczne

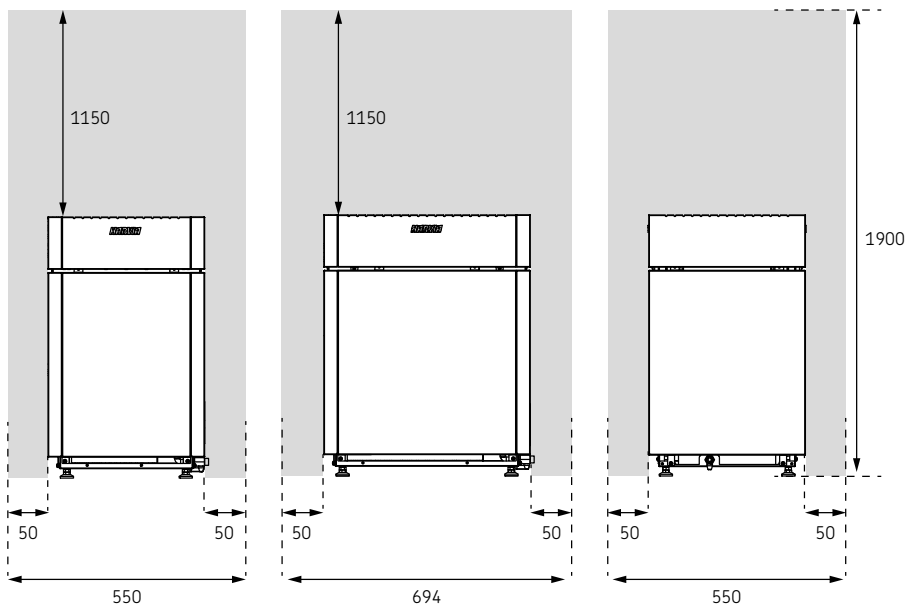
6. INSTRUKCJA MONTAŻU

-  Należy zawsze przestrzegać wartości podanych w instrukcji obsługi urządzenia. Niezastosowanie się do nich może spowodować zagrożenie pożarowe.
-  W saunie można zainstalować tylko jeden piec elektryczny, chyba że w instrukcji podano inaczej.
-  Urządzenie należy zainstalować w taki sposób, aby komunikaty ostrzegawcze można było łatwo odczytać.

6.1. Odległości bezpieczeństwa

- Minimalne odległości ochronne od materiałów palnych przedstawiono na rysunku (Rysunek 1. Odległości bezpieczeństwa).
- Jeśli wokół pieca do sauny zainstalowano barierkę, należy przestrzegać odległości bezpieczeństwa wskazanych na rysunku (Rysunek 1. Odległości bezpieczeństwa) lub w instrukcji montażu barierki.

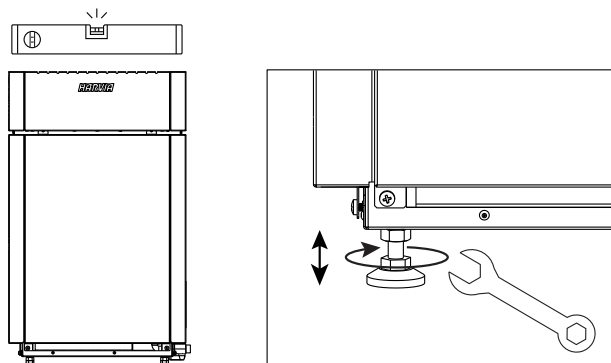
(min. mm)



PL

Rysunek 1. Odległości bezpieczeństwa

6.2. Montaż pieca do sauny



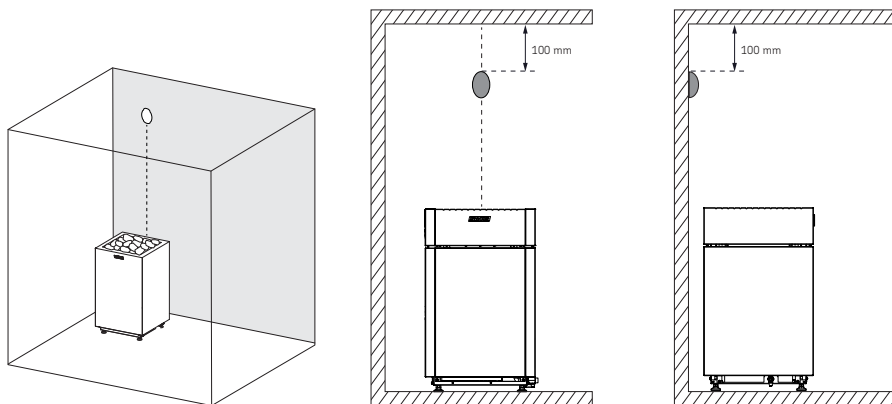
Rysunek 2. Montaż pieca do sauny

6.3. Montaż sterownika i czujników

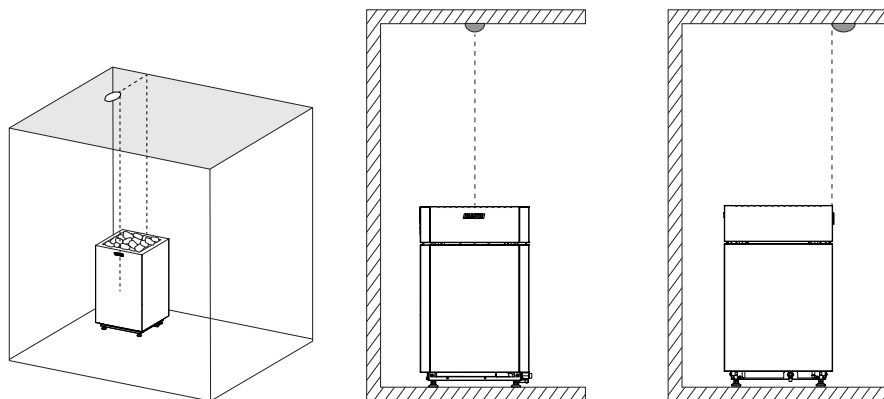


Nie ustawiać otworu nawiewnego w taki sposób, aby strumień powietrza chłodził czujnik ciepła.

- Do sterownika dołączona jest szczegółowa instrukcja montażu na ścianie.
- Zamontować czujnik ciepła w sposób pokazany na rysunku. Jeśli piec do sauny zostanie zamontowany dalej niż 150 mm od ściany, czujnik należy zamontować na suficie.



Rysunek 3a. Montaż czujnika ciepła na ścianie



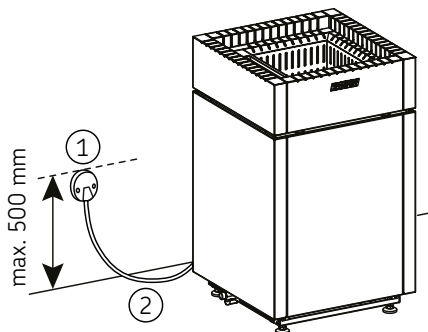
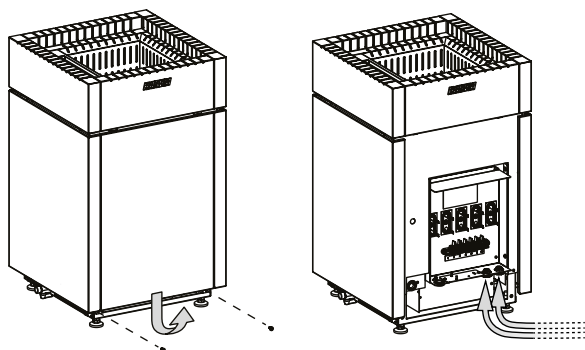
Rysunek 3b. Montaż czujnika ciepła na suficie

6.4. Połączenia elektryczne



Piec do sauny może podłączyć do sieci elektrycznej wyłącznie wykwalifikowany elektryk zgodnie z obowiązującymi przepisami.

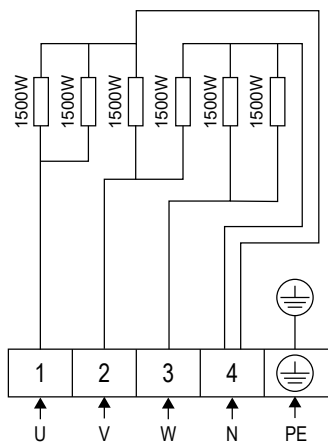
- Piec do sauny jest podłączony częściowo do skrzynki przyłączy na ścianie sauny. Skrzynka przyłączy powinna być bryzgoszczelna i znajdować się nie więcej niż 500 mm nad podłogą.
- Kabel połączeniowy powinien być wykonany z gumy typu HO7RN-F lub równoważnej. UWAGA! Zabrania się stosowania przewodu z izolacją PVC jako przewodu przyłączeniowego do pieca ze względu na kruchość, jaką osiąga pod wpływem wysokiej temperatury.
- Jeśli kabel połączeniowy lub montażowy zostanie umieszczony w saunie lub wewnątrz ścian sauny na wysokości ponad 1000 mm nad podłogą, musi on być w stanie wytrzymać temperaturę co najmniej 170°C pod obciążeniem (np. kable w osłonie silikonowej). Urządzenia elektryczne zainstalowane więcej niż 1000 mm nad podłogą sauny muszą być dopuszczone do stosowania w temperaturze otoczenia 125°C (oznaczenie T125).



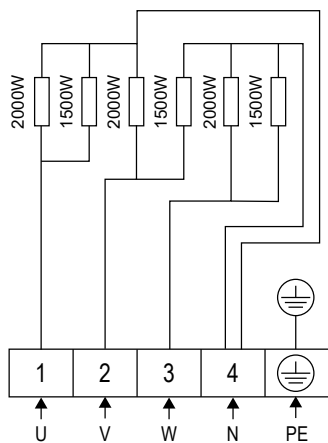
1. Skrzynka przyłączy

2. Kabel

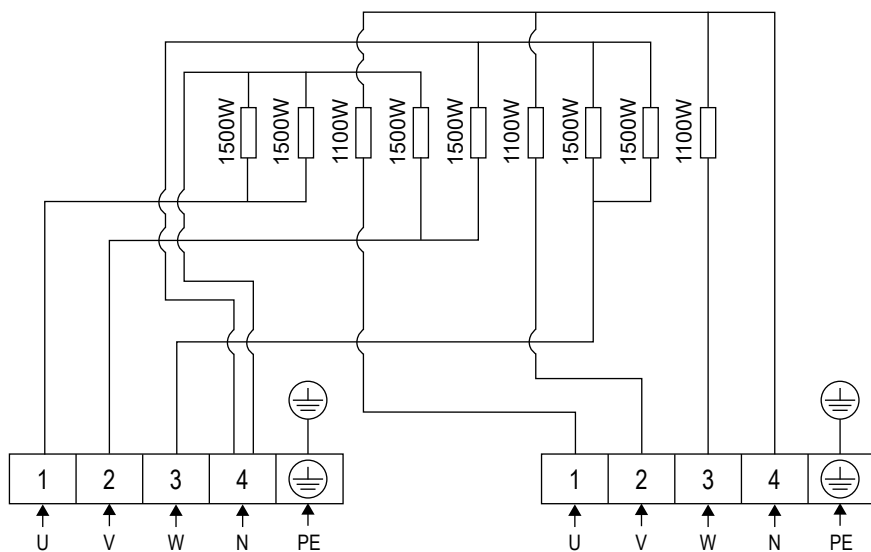
Rysunek 4. Połączenia elektryczne



Rysunek 5. Schemat połączeń QU90E



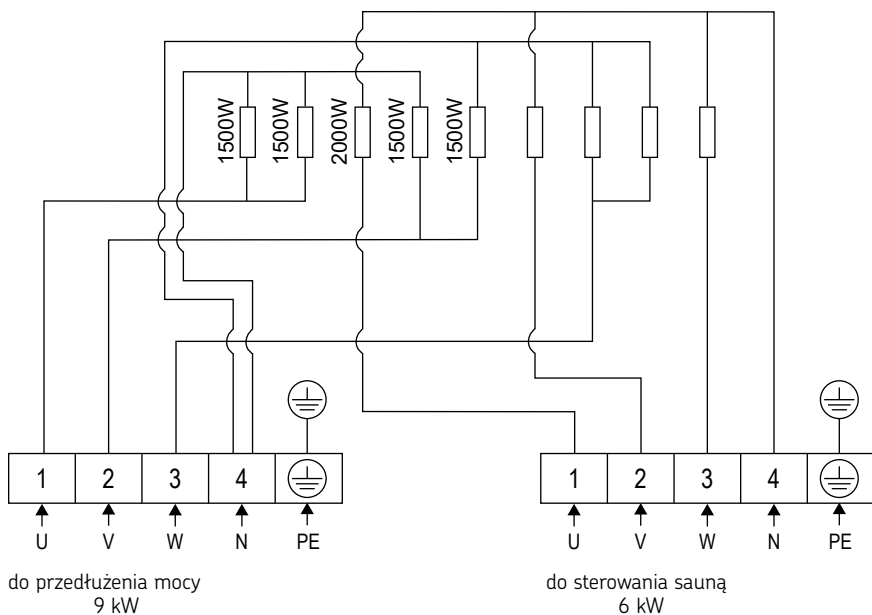
Rysunek 6. Schemat połączeń QU105E



do przedłużenia mocy
9 kW

do sterowania sauną
3.3 kW

Rysunek 7. Schemat połączeń QU120E



Rysunek 8. Schemat połączeń QU150E

6.5. Rezystancja izolacji elektrycznego pieca do sauny



Nie wolno podłączać zasilania do pieca za pomocą wyłącznika różnicowoprądowego!

Podczas końcowej kontroli instalacji elektrycznej pomiar rezystancji izolacji pieca do sauny może wykazać „upływ” spowodowany wchłonięciem wilgoci z powietrza (podczas przechowywania/transportu) przez materiał izolacyjny elementów grzejnych. Wilgoć można usunąć z elementów grzejnych po kilku cyklach nagrzewania.

6.6. Umieszczanie kamieni do sauny



Kamienie do pieca do sauny to istotny element odpowiadający za jego bezpieczeństwo. Aby zachować ważność gwarancji, użytkownik jest odpowiedzialny za prawidłową konserwację kamieni zgodnie ze specyfikacją i instrukcją.



W przestrzeni kamienia do pieca do sauny lub w jego pobliżu nie należy umieszczać żadnych przedmiotów ani urządzeń, które mogą zmienić ilość lub kierunek przepływu powietrza przez piec.



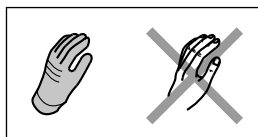
Jeżeli element grzejny nie jest otoczony kamieniami, może niebezpiecznie nagrzewać materiały, nawet poza bezpiecznymi odległościami przewidzianymi dla pieca do sauny. Upewnij się, że elementy grzejne nie są widoczne ponad kamieniami. Użytkownik jest odpowiedzialny za zapewnienie właściwej konserwacji przestrzeni kamiennej przez cały okres eksploatacji pieca do sauny.


Ważne informacje dotyczące odpowiednich kamieni do sauny:

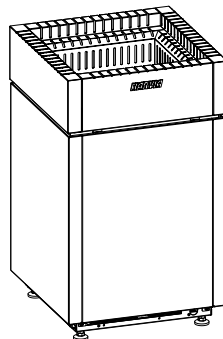
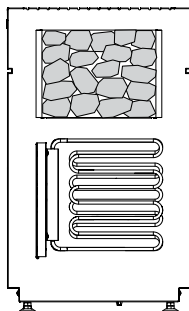
- Kamienie do sauny powinny być wykonane z perydotytu, diabazu oliwinowego, oliwiny lub wulkanitu.
- Do pieca używaj wyłącznie kamieni o powierzchni łupliwej lub zaokrąglonych.
- Jeśli elementy grzejne pieca stykają się z kamieniami, kamienie zaokrąglone można stosować tylko w zewnętrznych warstwach, tak aby nie stykały się z elementami grzejnymi.
- Kamienie ceramiczne i ozdobne mogą być używane tylko wtedy, gdy zostały zatwierdzone przez producenta i są używane zgodnie z instrukcją.
- Pamiętaj, że kamienie ozdobne nadają się tylko na górną warstwę kamieni. Kamienie ozdobne należy układać luźno, aby zapewnić odpowiednią cyrkulację powietrza. Kamienie ozdobne należy umieszczać tak, aby nie dotykały elementów grzejnych pieca.
- Gwarancja nie obejmuje wad powstałych w wyniku użycia kamieni ozdobnych lub kamieni do sauny niezalecanych przez producenta.
- Przed umieszczeniem kamieni w piecu należy spłukać z nich pył.

Przy układaniu kamieni należy przestrzegać następujących zasad:

- Zacznij od największych kamieni, umieszczając je na dnie i po bokach. Zapewnia to odpowiednią wentylację i tworzy stabilną podstawę dla przestrzeni kamiennej.
- Umieszczaj kamienie jeden po drugim. Nie należy ich wrzucać do przestrzeni na kamienie.
- Nie należy układać stosu kamieni na piecu. Kamienie mogą sięgać do poziomu kanałów powietrznych grzejnika. Nadmierna ilość kamieni ogranicza wentylację i osłabia właściwości pieca.
- Zalecamy przechowywanie w magazynie dodatkowych kamieni, aby zastąpić uszkodzone lub uzupełnić je, jeśli z czasem poziom kamieni będzie się obniżał.



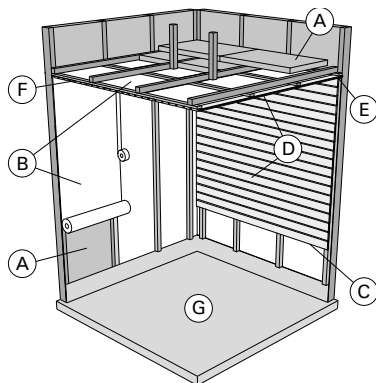
	QU90E	QU120E,
	QU105E	QU150E
	Ø 5-10 cm	Ø 5-10 cm
	25 kg	40 kg



Rysunek 9. Umieszczanie kamieni do sauny

7. KABINA SAUNY

7.1. Konstrukcja kabiny sauny



- A. Warstwa wełny izolacyjnej o grubości 50–100mm. Kabina sauny musi być starannie izolowana, by moc pieca była stale umiarkowanie niska.
- B. Zabezpieczenie przed wilgocią, np. papier aluminiowy. Ułożyć błyszczącą stroną do wnętrza sauny. Łączenia zabezpieczyć taśmą aluminiową.
- C. Szczelina wentylacyjna (ok. 10 mm) między warstwą zabezpieczającą a panelem (zalecana).
- D. Lekka płyta pilśniowa (12–16mm). Przed montażem paneli sprawdzić stan instalacji elektrycznej i wzmocnienia wymagane do zainstalowania pieca i ław.
- E. Szczelina wentylacyjna (ok. 3 mm) między ścianą a sufitem.
- F. Wysokość sauny to zwykle 2100–2300mm. Jej wysokość minimalna zależy od pieca (zobacz Dane techniczne). Odległość pomiędzy ławą górną a sufitem nie powinna przekraczać 1200mm.
- G. Stosować ceramiczne pokrycia podłogowe i ciemne spoiny. Delikatne pokrycia podłogowe mogą ulec zapłamieniu i/lub uszkodzeniu przez spadające cząsteczki kamieni sauny bądź zanieczyszczoną wodę.

UWAGA! Należy dowiedzieć się, które części ściany ogniowej można przystońić. Nie zastępować używanych przewodów kominowych.

UWAGA! Lekkie pokrywy instalowane na ścianie lub suficie, mogą stanowić zagrożenie ppoż.

UWAGA! Upewnić się, czy woda kapiąca na podłogę sauny spływa do kratki ściekowej w podłodze.

PL

7.2. Moc pieca


Jeśli ściany i sufit pokryte są płytami, a za płytami znajduje się odpowiednia izolacja, moc wyjściowa pieca jest określana w zależności od kubatury sauny. Przy ścianach nieizolowanych (cegła, bloki szklane, szkło, beton, płytki itp.) moc ta musi być większa. Do kubatury sauny dodać 1,2m³ na każdy metr kwadratowy nieizolowanej ściany. Np. kabina o kubaturze 10m³ z drzwiami szklanymi wymaga pieca o mocy potrzebnej dla kabiny o kubaturze ok. 12m³. Jeśli kabina ma ściany z bali, należy pomnożyć jej kubaturę przez 1,5. (5. Dane techniczne)

7.3. Ciemnienie ścian sauny

Jest zjawiskiem naturalnym, że drewniane powierzchnie sauny z czasem ciemnieją. Zjawisko to przyspieszają:

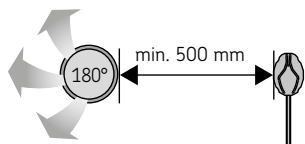
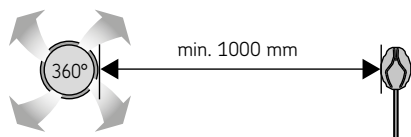
- światło słoneczne
- ciepło pochodzące z pieca
- preparaty ochronne (mają one niską odporność na wysokie temperatury)
- zanieczyszczenia odrywające się od kamieni i unoszące w powietrzu.

7.4. Wentylacja kabiny sauny

 **Czujnik temperatury musi być zawsze zainstalowany we wskazanym miejscu. Jeśli minimalna odległość od otworu wentylacyjnego nie jest zachowana, należy zmienić rodzaj wentylacji.**

 **Nie umieszczać wlotu powietrza tak, by strumień powietrza chłodził czujnik temperatury**

- Wymiana powietrza powinna zachodzić 6 razy na godzinę.
- **Wentylacja mechaniczna:** otwór wentylacyjny musi znajdować się w górnej części sauny, aby nie zakłócał działania czujnika temperatury. (Rysunek 9. Minimalna odległość otworu wentylacyjnego od czujnika.)
- **Wentylacja ciśnieniowa:** otwór wentylacyjny powinien być zainstalowany poniżej lub obok pieca do sauny. Średnica otworu wentylacyjnego powinna wynosić od 50 do 100 mm.
- Wylot powietrza. Powinien znajdować się blisko podłogi, możliwie jak najdalej od pieca. Średnica wylotu powinna być dwukrotnie większa od średnicy wlotu powietrza.
- Dodatk. went. susząca (zamknięta podczas grzania i kąpeli). Można też suszyć saunę przez pozostawienie otwartych drzwi po zakończeniu kąpeli.
- Gdy wylot powietrza znajduje się w łazience, szczelina pod drzwiami sauny musi wynosić >100 mm. Stosowanie układu mechanicznego jest obowiązkowe.



Rysunek 10. Minimalna odległość otworu wentylacyjnego od czujnika.

7.5. Higiena kabiny

- Ręczniki ułożone na ławach zabezpieczają je przed potem spływającym podczas kąpeli.
- Ławy, ściany i podłogę sauny należy starannie oczyszczać przynajmniej raz na sześć miesięcy. Czyścić ostrą szczotką i środkiem do saun.
- Kurz i brud z pieca usuwać wilgotną ścierką. Kamień usuwać 10% roztworem kwasu cytrynowego, po czym spłukać.

8. INSTRUKCJA UŻYTKOWANIA

8.1. Korzystanie z pieca do sauny



Przed włączeniem pieca do sauny zawsze sprawdzić, czy na piecu lub w jego pobliżu nie znajdują się żadne przedmioty.

- Piec do sauny obsługuje się za pomocą oddzielnego sterownika. Należy zapoznać się z instrukcją użytkownika dołączoną do sterownika.
- Podczas pierwszego użycia piec do sauny i kamienie wytwarzają zapachy, których usunięcie wymaga dobrej wentylacji w kabinie sauny.
- Jeśli piec do sauny ma moc odpowiednią dla kabiny sauny, kabina z odpowiednią izolacją cieplną nagrzewa się do temperatury roboczej w ciągu około godziny. Kamienie pieca do sauny nagrzewają się zazwyczaj w takim samym czasie co kabina sauny.
- Odpowiednia temperatura w kabinie sauny wynosi około 65–80°C.

8.2. Polewanie wodą



Nie używać chochli o pojemności większej niż 0,2 litra. W przypadku wiania do pieca sauny lub wylania na niego zbyt dużej ilości wody na raz, może ona rozpryskiwać się na użytkowników sauny, gdy będzie się gotować.



Aby uniknąć ryzyka poparzeń, nie wylewać wody na piec do sauny, gdy ktoś znajduje się w jego pobliżu.

- Powietrze w saunie wysycha, gdy sauna jest ogrzewana. Dlatego konieczne jest zwiększanie wilgotności poprzez wylewanie wody na kamienie pieca do sauny.
- Każdy odczuwa skutki ciepła i wilgotności na swój własny sposób – należy eksperymentować, aby znaleźć odpowiednią temperaturę i wilgotność dla siebie.
- Wodę należy wylewać tylko na kamienie do pieca do sauny.

8.3. Wymagania dotyczące jakości wody

- Woda używana w saunie powinna spełniać wymagania jakościowe dla wody domowej (Tabela 2).
- Można używać wyłącznie zapachów przeznaczonych do wody w saunie. Postępować zgodnie z instrukcjami dołączonymi do zapachu.

Właściwości wody	Efekty	Zalecenie
Zanieczyszczenie organiczne	Kolor, smak, osady	<12 mg/l
Zawartość żelaza	Kolor, zapach, smak, osady	<0,2 mg/l
Zawartość manganu (Mn)	Kolor, zapach, smak, osady	<0,10 mg/l
Twardość wody: głównymi składnikami są wapń (Ca) i magnez (Mg)	Osady	Ca: <100 mg/l Mg: <100 mg/l
Woda chlorkowa	Korożja	Cl: <100 mg/l
Woda chlorowana	Zagrożenie dla zdrowia	Używanie zabronione
Woda morska	Szybka korożja	Używanie zabronione
Stężenia arsenu i radonu	Zagrożenie dla zdrowia	Używanie zabronione

Tabela 2

8.4. Instrukcja kąpiei

- Rozpocząć sesję w saunie od umycia się.
- Przebywać w saunie tak długo, jak będzie ona zapewniała komfortowe odczucia.
- Zwolnić myśli i zrelaksować się.
- Dobre maniere w saunie obejmują zwracanie uwagi na innych użytkowników sauny bez przeszkadzania im głośnym zachowaniem.
- Nie wyganiać innych osób z ławek poprzez nadmierne wylewanie wody.
- Schłodzić skórę. Osoba zdrowa może pływać podczas chłodzenia.
- Umyć się, aby zakończyć sesję w saunie.
- Odpocząć i dać sobie czas na uspokojenie się. Napić się czegoś orzeźwiającego, aby przywrócić równowagę płynów.



Wszystkie czynności konserwacyjne wymagające specjalnych umiejętności muszą być wykonywane przez przeszkolonego specjalistę.

9.1. Kamienie do pieca do sauny

- Ze względu na intensywne cykle ciepłe kamienie w piecu do sauny będą stopniowo niszczeń i kruszyć się podczas użytkowania. Wymieniać kamienie co najmniej raz na rok lub częściej, jeśli sauna jest bardzo często używana.
- Jednocześnie usuwać wszelkie nagromadzone zanieczyszczenia po kamieniach i wymieniać wszystkie uszkodzone kamienie. Zapewni to utrzymanie właściwości pieca do sauny związanych z wytwarzaniem pary i wyeliminuje ryzyko przegrzania.
- Sprawdź od czasu do czasu, czy poziom kamienia nie obniżył się. Upewnij się, że elementy grzejne nie staną się z czasem widoczne. Poziom kamieni prawdopodobnie obniży się po około dwóch miesiącach od ich ułożenia.

9.2. Wykrywanie i usuwanie usterek

Piec do sauny nie nagrzewa się

- Sprawdzić, czy bezpieczniki pieca do sauny w panelu elektrycznym są sprawne.
- Sprawdzić, czy kabel połączeniowy pieca do sauny jest podłączony.
- Sprawdzić, czy nie zadziałał bezpiecznik termiczny (patrz instrukcja montażu sterownika).

Kabina sauny nagrzewa się powoli. Woda wylewana na piec do sauny szybko chłodzi kamienie

- Sprawdzić, czy bezpieczniki pieca do sauny w panelu elektrycznym są sprawne.
- Sprawdzić, czy wszystkie elementy grzejne żarzą się, gdy piec do sauny jest włączony.
- Ustawić wyższą temperaturę (patrz instrukcja montażu sterownika).
- Sprawdzić, czy moc pieca do sauny nie jest zbyt niska.
- Sprawdzić, czy wentylacja w kabinie sauny jest poprawnie zorganizowana.

Kabina sauny nagrzewa się szybko, ale kamienie nie mają czasu na rozgrzanie się. Woda wylewana na piec do sauny nie odparowuje, lecz przepływa przez przestrzeń z kamieniami

- Sprawdzić, czy moc pieca do sauny nie jest zbyt wysoka.
- Sprawdzić, czy wentylacja w kabinie sauny jest poprawnie zorganizowana.

PL

Panele lub inne materiały w pobliżu pieca do sauny szybko ciemnieją

- Upewnij się, że spełniono wymogi dotyczące bezpiecznej odległości.
- Upewnij się, że elementy grzejne nie są widoczne ponad kamieniami. Jeśli są widoczne, należy ponownie ułożyć kamienie i upewnij się, że elementy grzejne są całkowicie zakryte.
- Zobacz także punkt (7.3. Ciemnienie ścian sauny).

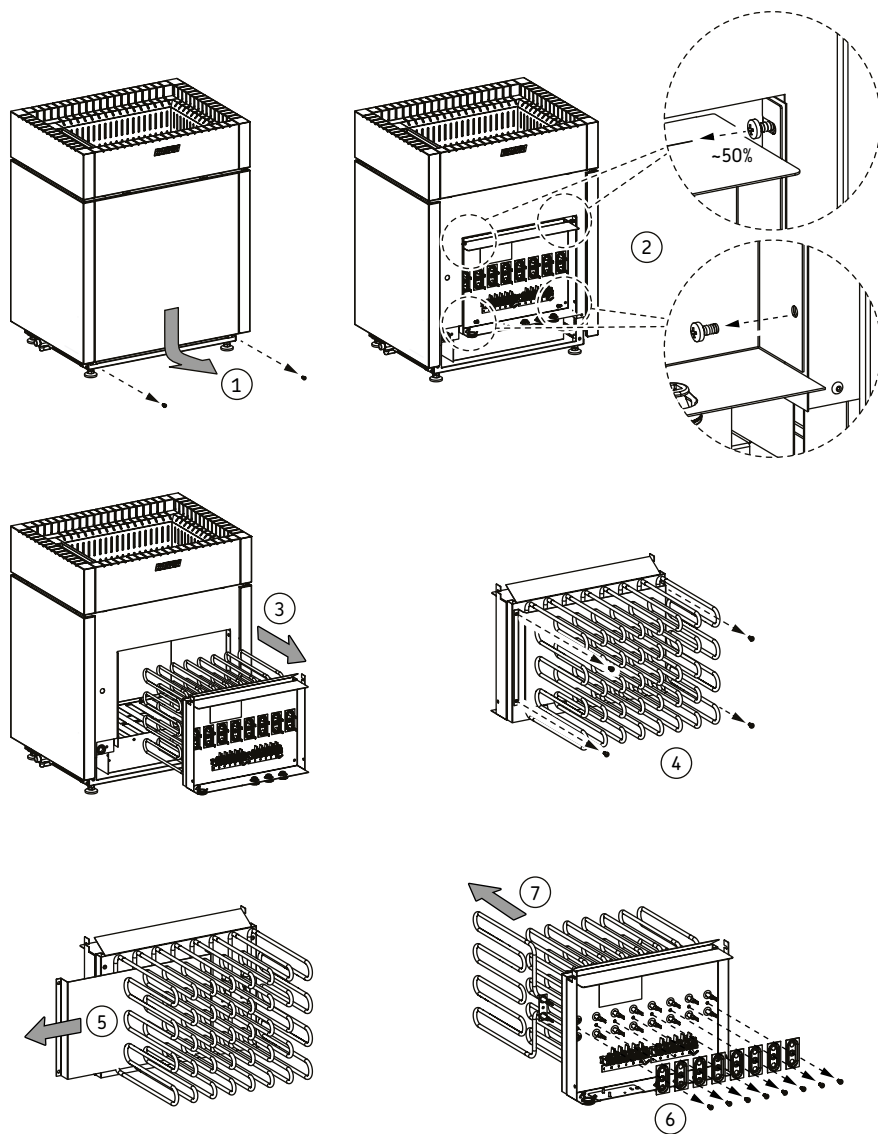
Piec do sauny wytwarza nieprzyjemny zapach

- Patrz punkt (8.1. Korzystanie z pieca do sauny)
- Gorący piec do sauny może nasilać zapachy mieszające się w powietrzu, ale sam piec nie wytwarza zapachów. Przykłady: farby, kleje, olej i przyprawy.

Piec do sauny hałasuje

- Sporadyczne uderzenia są zwykle powodowane przez kamienie, które pękają pod wpływem ciepła.
- Rozszerzalność cieplna części pieca do sauny może powodować hałas podczas nagrzewania się tego pieca.

9.3. Wymiana elementów grzejnych



Rysunek 11. Wymiana elementów grzejnych

10. CZĘŚCI ZAMIENNE

spareparts.harvia.com



11. WARUNKI GWARANCJI

www.harvia.com



Harvia Qube

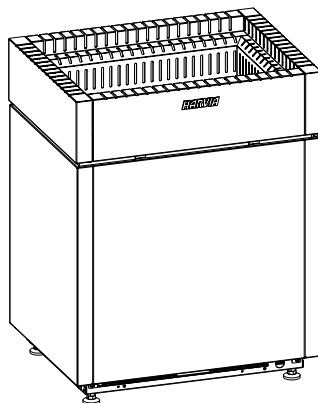
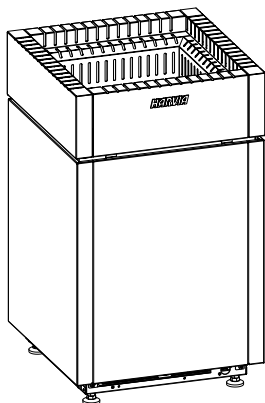
Elektrická saunová kamna
Návod k instalaci a použití

HARVIA

Sauna & Spa

Let's sauna.

Položka č.	Typ	Výkon
HQU904M	QU90E	9 kW
HQU1054M	QU105E	10.5 kW
HQU1204M	QU120E	12 kW
HQU1504M	QU150E	15 kW



CS



Blahopřejeme vám k vynikajícímu výběru saunových kamen!

Saunová kamna Harvia budou fungovat nejlépe a dlouho vám sloužit, pokud je budete používat a udržovat podle popisu v tomto návodu. Před instalací nebo používáním saunových kamen si návod přečtěte. Návod si uschovejte pro budoucí použití. Návod k instalaci a obsluze najdete také na našem webu www.harvia.com.

Obsah

1. UPOZORNĚNÍ A POZNÁMKY	3
2. PŘED INSTALACÍ	7
3. OBSAH DODÁVKY	8
4. PŘÍKLAD INSTALACE	8
5. TECHNICKÉ ÚDAJE	9
6. NÁVOD K INSTALACI	11
6.1 Bezpečnostní vzdálenosti	11
6.2 Instalace saunových kamen	12
6.3 Instalace řídicí jednotky a senzorů	13
6.4 Elektrické připojení	14
6.5 Izolační odpor elektrických saunových kamen	16
6.6 Umístění saunových kamenů	17
7. SAUNOVÁ MÍSTNOST	18
7.1 Struktura saunové místnosti	18
7.2 Výkon saunových kamen	18
7.3 Zatemnění stěn sauny	19
7.4 Větrání v saunové místnosti	19
7.5 Hygiena saunové místnosti	20
8. NÁVOD K POUŽITÍ	20
8.1 Používání saunových kamen	20
8.2 Vypouštění vody	20
8.3 Požadavky na kvalitu vody	21
8.4 Pokyny pro saunování	21
9. PRAVIDELNÁ ÚDRŽBA	22
9.1 Kamny do saunových kamen	22
9.2 Řešení problémů	22
9.3 Výměna topných těles	23
10. NÁHRADNÍ DÍLY	24
11. ZÁRUK	24

1. UPOZORNĚNÍ A POZNÁMKY



Před zahájením používání zařízení si pečlivě přečtěte varování a pokyny.



UPOZORNĚNÍ! Nedbání tohoto upozornění může mít za následek vážný úraz nebo smrt.



POZOR! Nedbání tohoto upozornění může mít za následek lehký nebo vážný úraz.



Nezakrývejte!

Instalace

- Kamna jsou určena k vytápění saunové místnosti na požadovanou teplotu. Použití k jiným účelům je zakázáno. Řídicí jednotka je určena k ovládání saunových kamen a funkcí sauny určených pro řídicí jednotku. Použití k jiným účelům je zakázáno.
- Zařízení smí k elektrické síti připojit pouze kvalifikovaný elektrikář v souladu s platnými předpisy. Osoba odpovědná za instalaci zařízení musí uživateli před předáním instalace poskytnout dodané instalační a provozní pokyny a zajistit potřebné zaškolení.
- Před údržbou vždy odpojte zařízení od elektrické sítě!
- Před instalací a uvedením do provozu zkontrolujte, zda není zařízení viditelně poškozeno. Poškozené zařízení nepoužívejte.
- Vždy dodržujte hodnoty uvedené v návodu k použití zařízení. Odchylky od nich způsobují nebezpečí požáru.
- V sauně smí být instalováno pouze jedno elektrické topidlo, pokud není v návodu uvedeno jinak.
- Zařízení musí být nainstalováno s ohledem na snadnou čitelnost varování po celou dobu.
- Saunová kamna nebo zařízení nesmí být instalována ve výklenku ve zdi, pokud není v návodu k použití uvedeno jinak.
- Pokud je kolem saunových kamen instalováno zábradlí, dbejte na bezpečnostní vzdálenosti uvedené v návodu k obsluze kamen.
- Pokud chcete k zařízení instalovat příslušenství, při jeho instalaci nebo používání vždy dodržujte pokyny pro každé konkrétní příslušenství.
- Zajistěte dostatečné větrání saunové místnosti (vzduch by se měl měnit šestkrát za hodinu).
- Neumíst'ujte přívod čerstvého vzduchu tak, aby jeho proud ochlazoval tepelný senzor (viz návod k instalaci tepelného senzoru!).
- Abyste předešli jakémukoli nebezpečí, musí být přívodní síťový kabel

v případě poškození vyměnit buď výrobce, nebo jeho autorizovaný servisní technik případně jiná kvalifikovaná osoba.

- Z důvodu tepelné křehkosti je zakázáno k saunovým kamnům použít přívodní kabel s PVC izolací.
- Při instalaci saunových kamen vždy zkontrolujte stav konektorů připojovací skříňky. Doporučujeme šroubové spojky. Vyhněte se pružinovým spojkám!
- Nepřipojujte napájení k elektrickému ohříváči přes proudový chránič.
- Pokud je zařízení používáno ve veřejné sauně bez časového spínače, kontrolka napájení by se měla nacházet v místnosti, ze které je zařízení používáno.
- Při instalaci, údržbě a během přidávání saunových kamenů použijte ochranné rukavice.
- Topná tělesa zcela zakryjte kameny. Rozžhavené holé topné těleso může způsobit nebezpečí požáru!
- Do prostoru pro kameny ani do jeho blízkosti neumísťujte žádné věci ani zařízení, které by mohly ovlivnit objem nebo směr proudění vzduchu v kamnech.

Používání a saunování

- Toto zařízení mohou používat děti od 8 let a starší, stejně jako osoby se sníženými fyzickými, smyslovými nebo duševními schopnostmi či s nedostatkem zkušeností a znalostí, pokud jsou pod dohledem nebo byly poučeny o bezpečném používání zařízení a chápou související rizika.
- Se zařízením si nesmějí hrát děti. Děti nesmí zařízení čistit ani provádět jakoukoli údržbu zařízení bez dozoru.
- Dbejte zvýšené opatrnosti, pokud jsou saunová kamna horká. Kameny a kovové části saunových kamen jsou dostatečně horké na to, aby popálily pokožku.
- Před zapnutím saunových kamen vždy zkontrolujte, zda se na nich nebo v jejich blízkosti nenacházejí žádné předměty.
- Při prvních několika nahřátích saunových kamen zajistěte dostatečné větrání, protože saunová kamna mohou produkovat zápach.
- Nelijte na saunová kamna příliš mnoho vody najednou, při rozptylu do okolí by mohlo dojít k opaření.
- Nelijte vodu na saunová kamna, pokud se v jejich blízkosti zrovna někdo nachází.
- Nepoužívejte naběračku o objemu větším než 0,2 litru.
- Nepoužívejte jiný druh vody než ten, který je uveden v návodu k použití saunových kamen.

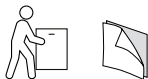
- Pokud do vody dáváte saunové vonné esence, používejte pouze takové, které jsou určeny pro saunovou vodu, a dodržujte příslušný návod k použití.
- Delší pobyt v horké sauně zvyšuje tělesnou teplotu, což může být nebezpečné.
- K saunovým kamnům zabraňte v přístupu dětem.
- V sauně nenechávejte o samotě: děti, osoby se sníženou pohyblivostí, nemocné nebo jinak oslabené osoby.
- Pokud máte určitá zdravotní omezení související s používáním sauny, poraďte se s lékařem.
- Při pohybu v sauně buďte opatrní, protože lavice nebo povrch podlahy sauny mohou být kluzké.
- Nechoďte do horké sauny, pokud jste pod vlivem alkoholu, léků, narkotik nebo jiných omamných látek.
- Ve vyhřáté sauně nespěte.
- Mořské klima a jiné vlhké podnebí může způsobit korozi kovových povrchů saunových kamen.
- Saunu nepoužívejte jako sušárnu prádla, hrozí nebezpečí požáru. Vysoká vlhkost může poškodit i elektrická zařízení.
- Ochranu proti přehřátí resetujte stisknutím resetovacího tlačítka až po zjištění příčiny jejího vypnutí. Ochranu proti přehřátí smí resetovat pouze kvalifikovaný servisní technik, pokud není v návodu uvedeno jinak.
- Po uplynutí doby zapnutí zkontrolujte, zda se saunová kamna definitivně vypnula a přestala topit.
- Zhavé kamenné odštěpky padající z kamen sauny mohou poškodit podlahové krytiny a způsobit nebezpečí požáru.
- Ve veřejných saunách, kde je saunová kamna používána bez časovače nebo nepřetržitě po dobu delší, než umožňuje výrobcem nastavený časovač na kamnech či řídicí jednotce, musí být zařízení neustále monitorováno.
- Před opětovným zapnutím saunových kamen nebo jejich dálkovým zapnutím je třeba vždy zkontrolovat saunovou místnost a prostor kolem saunových kamen.
- Před uvedením zařízení do pohotovostního režimu pro dálkové ovládání nebo přednastavený provoz je vždy nutné zkontrolovat saunovou místnost a okolí saunových kamen.
- Podle produktové normy IEC/EN 60335-2-53 pro elektricky vyhřívána saunová kamna lze k jejich ovládání a regulaci použít řídicí jednotky s funkcí dálkového spuštění, pokud je na kamnech nebo dveřích sauny instalován odpovídající bezpečnostní vypínací mechanismus (dverní nebo bezpečnostní spínač).

Údržba

- Všechny úkony údržby vyžadující speciální dovednosti musí provádět vyškolený odborník.
- V zájmu odstranění prachu a nečistot čas od času saunová kamna otřete vlhkým hadříkem. V případě potřeby použijte jemné čisticí prostředky. Při čištění nepoužívejte tekoucí vodu.
- Před zahájením čištění nechte zařízení zcela vychladnout.
- Alespoň jednou za rok kameny přeskládejte a případně rozbité kameny vyměňte.

2. PŘED INSTALACÍ

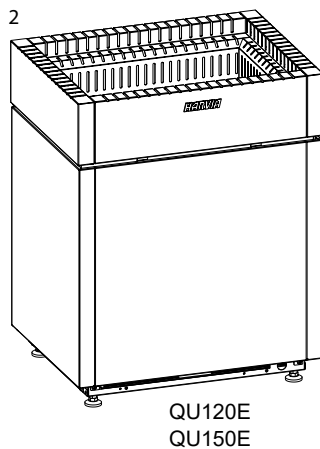
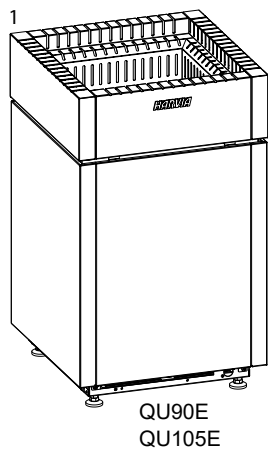
- Saunová kamna by měla být vždy přepravována výhradně ve vzpřímené poloze.
- Saunová kamna se dají zvednout a přemístit s využitím vnějšího pláště jako opory.
- Před použitím sejměte ze saunových kamen ochrannou fólii.



Kontrolní seznam k instalaci saunových kamen:

- Zkontrolujte, zda jsou kamna neporušená. Poškozená saunová kamna nepoužívejte. Případné poškození při přepravě nahlaste dodavateli.
- Saunová kamna musí být z hlediska výkonu a typu vhodná pro danou saunovou místnost. Hodnoty objemu sauny nesmí být větší ani menší než (5. Technické údaje) (7.2 Výkon saunových kamen)
- Napájecí napětí musí být pro saunová kamna vhodné.
- Místo instalace saunových kamen splňuje minimální bezpečnostní vzdálenosti (6.1 Bezpečnostní vzdálenosti)
- Umístění teplotního senzoru / ochrany proti přehřátí je specifické pro saunová kamna. Dbejte na to, aby byl senzor nainstalován podle návodu.
- Zkontrolujte, zda jsou kameny saunových kamen zavedeny podle návodu.
- Při instalaci příslušenství postupujte podle návodu k instalaci a použití konkrétního výrobku.
- Dbejte na to, aby byla řídicí jednotka kompatibilní se saunovými kamny. Kompatibilitu nejnovějších modelů řídicích jednotek si můžete ověřit na stránkách Harvia.com.
- Tento návod si uschovejte pro budoucí použití.

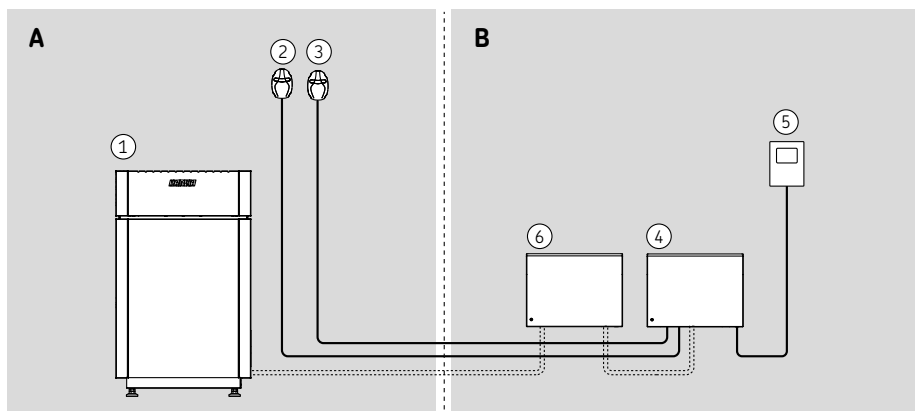
3. OBSAH DODÁVKY



1. Saunový ohřivač

2. Návod k instalaci a použití

4. PŘÍKLAD INSTALACE

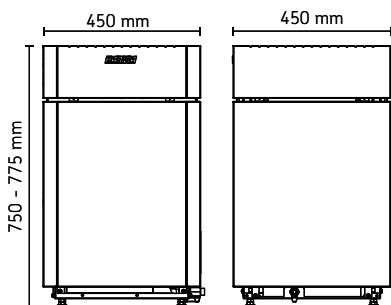


CS

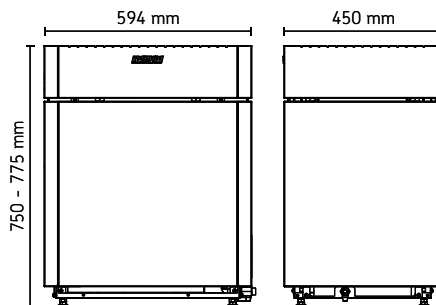
A. Saunová místnost	B. Suchý prostor
1. Saunový ohřivač	4. Řídicí jednotka
2. Senzor teploty	5. Ovládací panel
3. Čidlo lavice	6. Zvýšení výkonu (volitelně. Musí se použít, pokud jsou 2 skupiny nebo více než 11 kW)

5. TECHNICKÉ ÚDAJE

QU90E, QU105E



QU120E, QU150E



ÚDAJE O INSTALACI

	QU90E	QU105E	QU120E	QU150E
Výkon (kW) saunových kamen	9	10.5	12	15
Provozní napětí	400 V 3N-230 V 1N-	400 V 3N-230 V 1N-	400 V 3N-	400 V 3N-
Elektrické skupiny	1 skupina	1 skupina	2 skupiny	2 skupiny
Frekvence (Hz)	50 / 60	50 / 60	50 / 60	50 / 60
Přívodní kabel	5 x 2.5 mm ²	5 x 2.5 mm ²	5 x 2.5 mm ²	5 x 2.5 mm ²
Typ přípojovacího kabelu	H07RN-F nebo ekvivalent	H07RN-F nebo ekvivalent	H07RN-F nebo ekvivalent	H07RN-F nebo ekvivalent
Třída ochrany	IPX4	IPX4	IPX4	IPX4
Skladovací teplota	0-50°C	0-50°C	0-50°C	0-50°C

KAMENY

	QU90E	QU105E	QU120E	QU150E
Velikost kamenů (cm)	Ø 5-10	Ø 5-10	Ø 5-10	Ø 5-10
Množství kamenů (kg)	25	25	40	40

ROZMĚRY

	QU90E	QU105E	QU120E	QU150E
Výška (mm)	750 - 775	750 - 775	750 - 775	750 - 775
Šířka (mm)	450	450	594	594
Hloubka (mm)	450	450	450	450
Hmotnost (kg)	34	34	40	40

CS

SAUNOVÁ MÍSTNOST				
	QU90E	QU105E	QU120E	QU150E
Objem místnosti (m³)	9-14	10-15	14-18	18-25
Minimální výška sauny (mm)	1900	1900	1900	1900
SCHVÁLENÉ PŘÍSLUŠENSTVÍ				
	QU90E	QU105E	QU120E	QU150E
Zábradlí	QUBE-L5 QUBE-W5	QUBE-L5 QUBE-W5	QUBE-L6 QUBE-W6	QUBE-L6 QUBE-W6
Bezpečnostní zařízení SFE	SFE-500500	SFE-500500	SFE-500500	SFE-500500
KOMPATIBILNÍ ŘÍDICÍ JEDNOTKY				
	QU90E	QU105E	QU120E	QU150E
Prohlédněte si nejnovější modely řídicích jednotek na našich webových stránkách harvia.com	FX110 CX110 C105VKK Pro B2 Pro C2 Pro D2 Pro D2i	FX110 CX110 C105VKK Pro B2 Pro C2 Pro D2 Pro D2i	FX170 CX170 C105VKK *) Pro B2 *) Pro C2 *) Pro D2 *) Pro D2i *)	FX170 CX170 C105VKK *) Pro B2 *) Pro C2 *) Pro D2 *) Pro D2i *)
ZVÝŠENÍ VÝKONU *)				
	QU90E	QU105E	QU120E	QU150E
Prohlédněte si nejnovější modely Power Boost na našich webových stránkách harvia.com	LTY17 0-S2-18 0-S2-18S	LTY17 0-S2-18 0-S2-18S	LTY17 0-S2-18 0-S2-18S	LTY17 0-S2-18 0-S2-18S
*) volitelně. Musí se použít, pokud jsou 2 skupiny nebo více než 11 kW				

Tabulka 1. Technické údaje

6. NÁVOD K INSTALACI



Vždy dodržujte hodnoty uvedené v návodu k použití zařízení. Odchyšky od nich způsobují nebezpečí požáru.



V sauně smí být instalováno pouze jedno elektrické topidlo, pokud není v návodu uvedeno jinak.

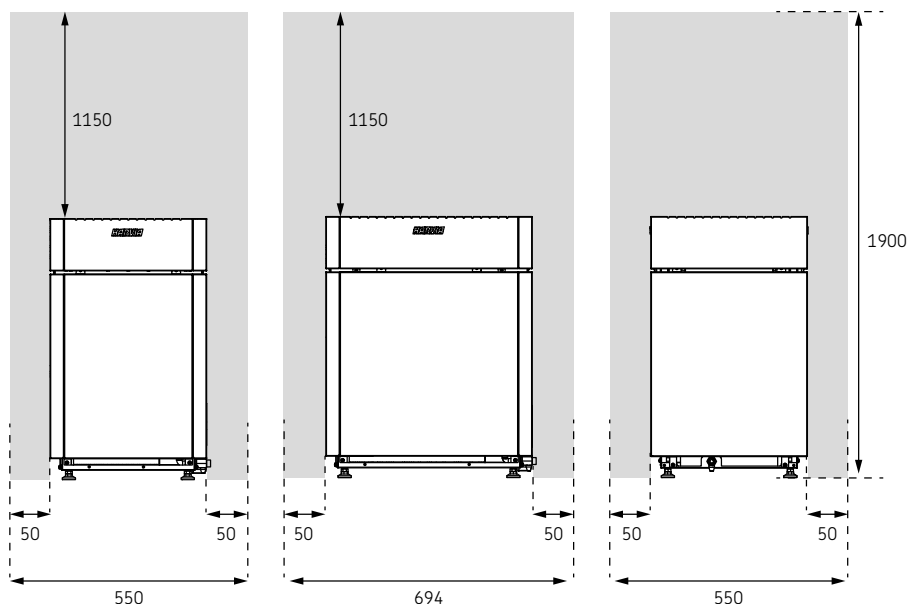


Zařízení musí být nainstalováno tak, aby výstražné texty zůstaly po instalaci dobře čitelné.

6.1 Bezpečnostní vzdálenosti

- Minimální ochranné vzdálenosti od hořlavého materiálu jsou uvedeny na obrázku (Obrázek 1 Bezpečnostní vzdálenosti).
- Pokud je kolem saunových kamen instalováno zábradlí, je nutné dodržet bezpečnostní vzdálenosti uvedené na obrázku (Obrázek 1 Bezpečnostní vzdálenosti) nebo v návodu k instalaci ochranného zábradlí.

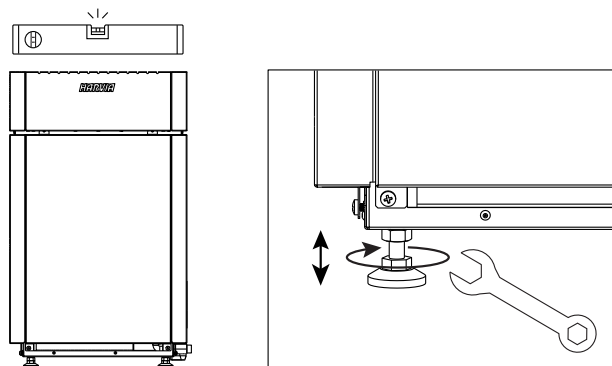
(min. mm)



CS

Obrázek 1 Bezpečnostní vzdálenosti

6.2 Instalace saunových kamen



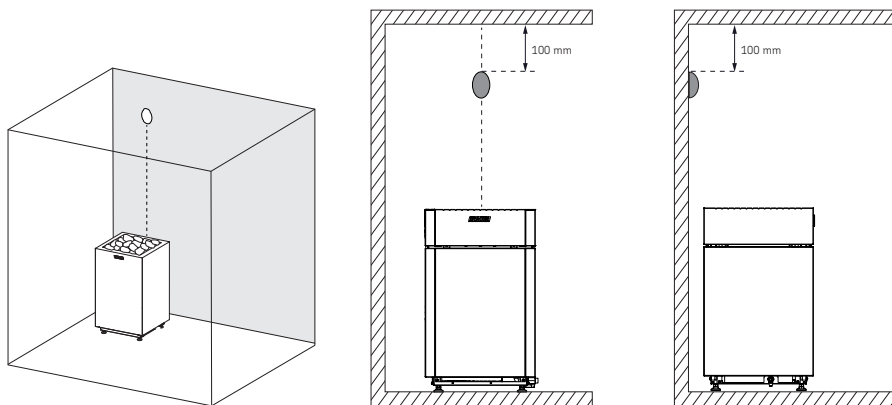
Obrázek 2 Instalace saunových kamen

6.3. Instalace řídicí jednotky a senzorů

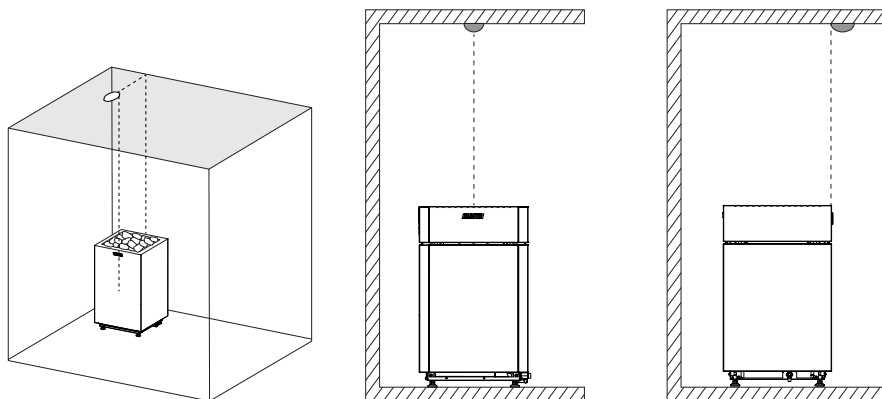


Neumíst'ujte přívodní vzduchový otvor tak, aby proud vzduchu ochlazoval tepelný senzor.

- K řídicí jednotce je přiložen podrobný návod, jak ji namontovat na stěnu.
- Tepelné čidlo nainstalujte tak, jak je znázorněno na obrázku. Pokud jsou saunová kamna instalována dále než 150 mm od stěny, musí být čidlo instalováno na strop.



Obrázek 3a. Instalace tepelného senzoru na stěnu



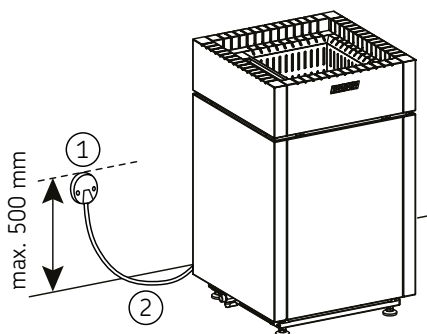
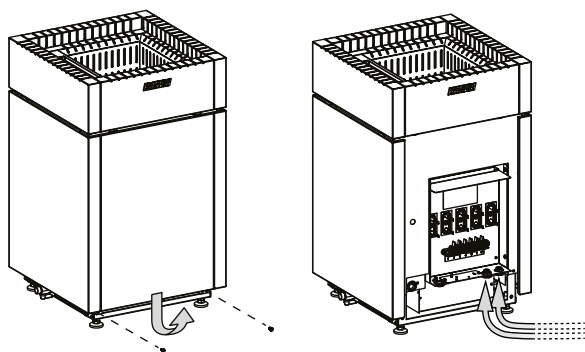
Obrázek 3b. Instalace tepelného senzoru na strop

6.4 Elektrické připojení



Saunová kamna smí k elektrické síti připojit pouze kvalifikovaný elektrikář v souladu s platnými předpisy.

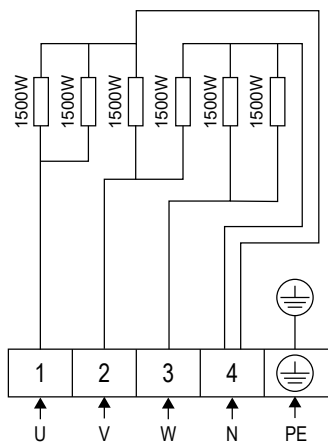
- Saunová kamna jsou připojena semifixně k rozvodné skříni na stěně sauny. Připojovací skříňka musí být odolná proti stříkající vodě a nesmí být výše než 500 mm nad podlahou.
- Připojovací kabel by měl být z pryžového kabelu typu H07RN-F nebo rovnocenného. POZNÁMKA: Z důvodu tepelné křehkosti je zakázáno k saunovým kamnům použít přívodní kabel s PVC izolací.
- Pokud jsou připojovací nebo instalační kabely umístěny v sauně nebo uvnitř stěn sauny ve výšce větší než 1 000 mm nad podlahou, musí být schopny při zatížení odolat teplotě nejméně 170 °C (např. kabely se silikonovým pláštěm). Elektrická zařízení instalovaná ve výšce větší než 1 000 mm nad podlahou sauny musí být schválena pro použití při teplotě okolí 125 °C (označení T125).



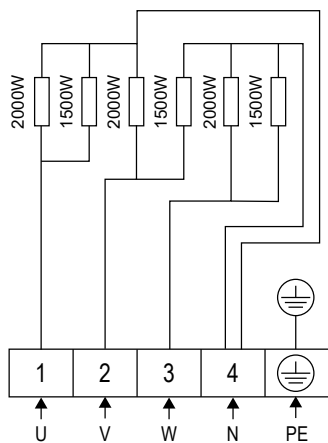
1. Svorková skříň

2. Kabel

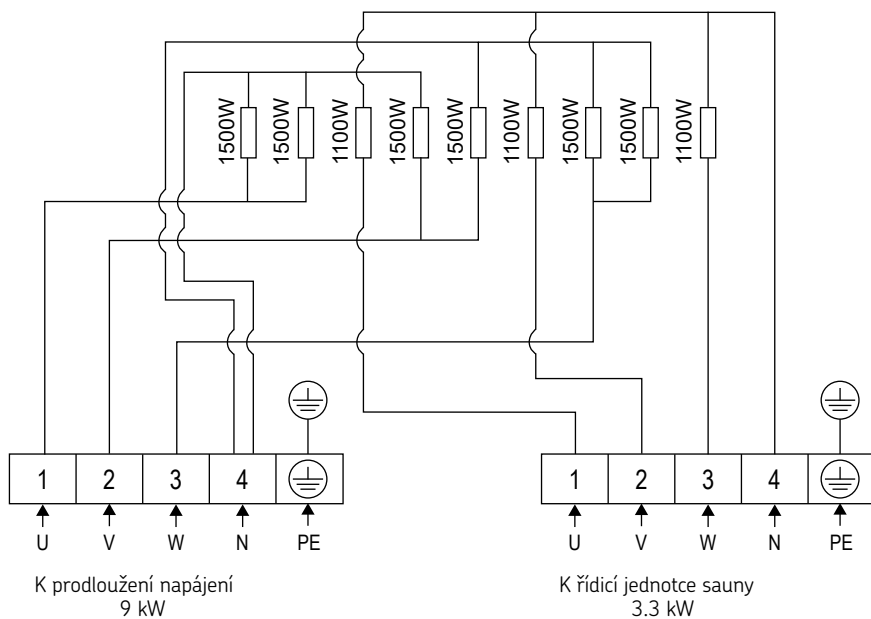
Obrázek 4 Elektrické připojení



Obrázek 5. Schéma zapojení QU90E

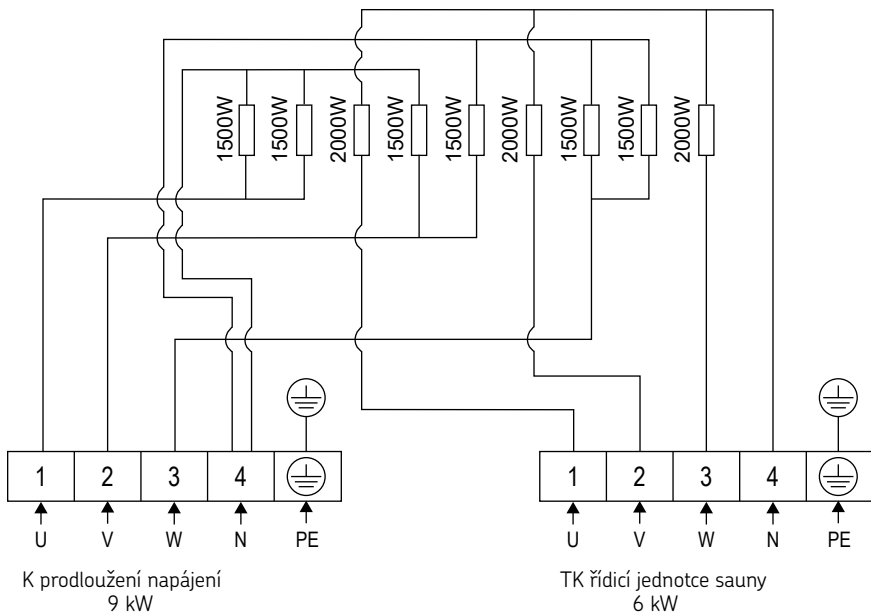


Obrázek 6. Schéma zapojení QU105E



CS

Obrázek 7. Schéma zapojení QU120E



Obrázek 8. Schéma zapojení QU150E

6.5. Izolační odpor elektrických saunových kamen



Nepřipojujte napájení k elektrickému ohřívači přes proudový chránič!

Při závěrečné kontrole elektroinstalace může měření izolačního odporu saunových kamen vykazovat „únik“ způsobený vlhkostí vzduchu, která se absorbuje (během skladování/přepravy) do izolačního materiálu topných těles. Vlhkost lze z topných prvků odstranit po několika topných cyklech.

6.6. Umístění saunových kamenů



Saunové kameny jsou důležité pro bezpečnost saunových kamen. Aby zůstala v platnosti záruka, je uživatel odpovědný za řádnou údržbu prostoru s kameny v souladu se specifikacemi a pokyny.



Do prostoru saunových kamen nebo do jejich blízkosti neumísťujte žádné předměty ani zařízení, které by mohly změnit objem nebo směr proudění vzduchu v saunových kamenech.



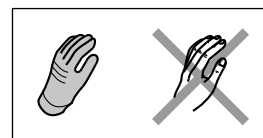
Pokud není topné těleso obklopeno kameny, může i materiály za bezpečnostní vzdáleností od saunových kamen ohřát na nebezpečnou teplotu. Ujistěte se, že topná tělesa nejsou za kameny vidět. Jako uživatel odpovídáte za to, že bude prostor pro kameny po celou dobu životního cyklu kamen řádně udržován.

Důležité informace o vhodných topných kamenech:

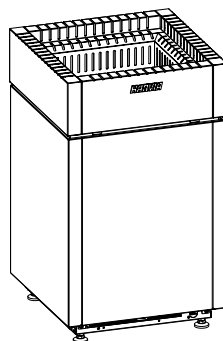
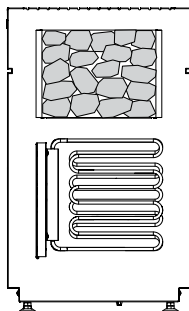
- Vhodnými materiály pro topné kameny jsou peridotit, olivinický diabas, olivín a vulkanit.
- Pro topné těleso do sauny používejte pouze štěpnou plochu nebo zaoblené kameny.
- Jsou-li topné prvky elektrického topného tělesa v kontaktu s kameny, zaoblené kameny lze použít pouze ve vnějších vrstvách prostoru pro kameny, aby nepřišly do kontaktu s topnými prvky.
- Keramické kameny a okrasné kameny lze používat, jen pokud to schválil jejich výrobce a pokud se používají se podle pokynů výrobce.
- Pozor, ozdobné kameny jsou vhodné pouze do vrchní vrstvy prostoru pro kameny. Ozdobné kameny musí být umístěny volně, aby bylo zajištěné dostatečné proudění vzduchu. Ozdobné kameny umísťujte tak, aby se nedotýkaly topných prvků elektrických topných těles.
- Záruka se nevztahuje na vady způsobené použitím ozdobných kamenů nebo topných kamenů nedoporučených výrobcem.
- Než kameny dáte do kamen, zbavte je veškerého prachu.

Při umísťování kamenů dodržujte následující pokyny:

- Začněte s největšími kameny, umísťte je na dno a po stranách. To zajišťuje dostatečnou ventilaci vzduchu a tvoří stabilní základnu prostoru pro kameny.
- Pokládejte kameny jeden po druhém. Nevhazujte je do prostoru pro kameny.
- Kameny na kamenech nevršte. Kameny mohou dosáhnout úrovně vzduchových kanálů kamen. Nadměrné množství kamenů snižuje cirkulaci vzduchu a oslabuje vlastnosti kamen.
- Doporučujeme, abyste si ponechali další kameny v zásobě. můžete jimi nahradit rozbité kameny nebo kameny přidat, pokud se jejich úroveň časem sníží.



	QU90E	QU120E,
	QU105E	QU150E
	Ø 5-10cm	Ø 5-10cm
	25kg	40kg

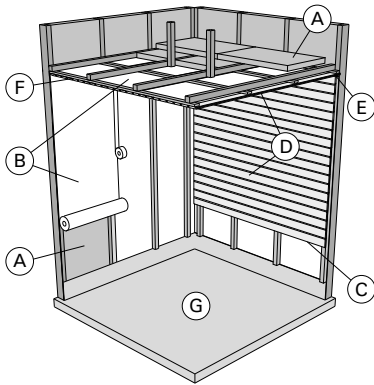


CS

Obrázek 9 Umístění saunových kamenů

7. SAUNOVÁ MÍSTNOST

7.1. Struktura saunové místnosti



- A. Izolační vata, tloušťka 50–100 mm. Saunová místnost musí být pečlivě odizolována, aby se výkon saunových kamen udržel na přiměřeně nízké úrovni.
- B. Vlhkostní bariéra, např. hliníkový papír. Lesklou stranu papíru dejte směrem do interiéru sauny. Švy pevně přelepte hliníkovou páskou.
- C. Přibližně 10mm odvětrávací mezera mezi vlhkostní bariérou a panelem (doporučeno).
- D. Panelová deska s malou hmotností a tloušťkou 12–16 mm. Před zahájením obkládání zkontrolujte elektroinstalaci zařízení a výztuhy potřebné pro saunová kamna a lavice ve stěnách.
- E. Přibližně 3mm odvětrávací mezery mezi stěnovými a stropními panely.
- F. Výška sauny je obvykle 2100–2300 mm. Minimální výška závisí na saunových kamnech. Vzdálenost mezi horní lavicí a stropem by neměla přesáhnout 1200 mm.
- G. Použijte keramické podlahové krytiny a tmavé spárovací materiály. Uvolněné částčky z kamenů a nečistoty ve vodě v sauně mohou znečistit nebo poškodit choulolistivé podlahové krytiny.

POZNÁMKA: Informujte se u požárních orgánů, které části sauny mohou být izolovány. Používaná kouřovody se izolovat nesmí.

POZNÁMKA: Lehká ochrana instalovaná přímo na povrch stěny nebo stropu může představovat nebezpečí požáru.

POZNÁMKA: Voda na podlaze sauny musí být odváděna do podlahové vpusti

CS

7.2 Výkon saunových kamen

Jakmile jsou stěny a strop obloženy a za panely je dostatečná izolace, výkon saunových kamen se určuje podle objemu sauny. Neizolované povrchy stěn (cihly, skleněné cihly, sklo, beton, dlaždice atd.) zvyšují potřebu výkonu saunových kamen. Ke každému metru čtverečnímu neizolovaného povrchu stěn připočtete 1,2 m³ objemu sauny. Například saunová místnost o objemu 10 m³ se skleněnými dveřmi odpovídá z hlediska potřeby výkonu saunové místnosti o objemu přibližně 12 m³. Pokud má saunová místnost stěny z kulatiny, vynásobte objem sauny číslem 1,5.(5. Technické údaje)

7.3. Zatemnění stěn sauny

Je normální, že dřevěné povrchy v saunové místnosti časem tmavnou. Tmavnutí může být urychleno

- slunečním zářením
- teplem ze saunových kamen
- ochrannými materiály na povrchy stěn (ochranné materiály mají nízkou tepelnou odolnost)
- jemnými částicemi uvolňujícími se z kamenů saunových kamen a stoupajícími s prouděním vzduchu.

7.4 Větrání v saunové místnosti

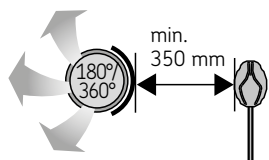
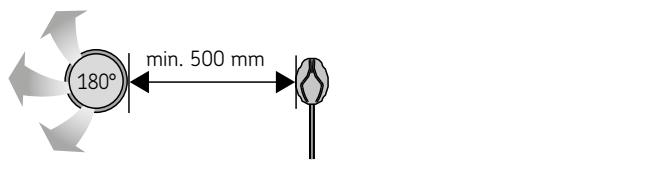
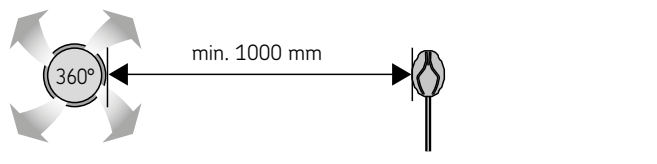


Teplotní senzor musí být vždy nainstalován na určeném místě. Pokud není dodržena minimální vzdálenost od větracího otvoru přívodního vzduchu, je třeba změnit větrání!



Neumist'ujte přívodní vzduchový otvor tak, aby proud vzduchu ochlazoval tepelný senzor!

- Vzduch v saunové místnosti by se měl vyměnit šestkrát za hodinu.
- **Mechanická ventilace:** Ventilací otvor přívodního vzduchu musí být umístěn v horní části sauny tak, aby nebránil provozu teplotního čidla.
- **Tlaková ventilace:** Odvzdušňovací otvor pro přívod vzduchu by měl být instalován pod saunovými kamny nebo vedle nich. Průměr přívodního otvoru by měl být 50 až 100 mm.
- Odtah vzduchu: Otvor pro odvod vzduchu dejte co nejdále od saunových kamen a co nejbližší k podlaze. Průměr odtahu by měl být dvakrát větší než průměr přívodu.
- Případný vypouštěcí ventil (uzavřený během topení a koupání). Saunu můžete zároveň vysušit tak, že po skončení saunování necháte otevřené dveře.
- Pokud je odtah na straně umývárny, musí být prahová mezera dveří sauny minimálně 100 mm. Mechanické odsávací větrání je povinné.



CS

Obrázek 10 Minimální vzdálenost od větracího otvoru přívodu vzduchu k teplotnímu senzor

7.5 Hygiena saunové místnosti

- Doporučujeme při saunování používat podložku na sezení, aby se zabránilo odkapávání potu na lavice.
- Nejméně každých šest měsíců byste měli důkladně vyčistit lavice, stěny a podlahu sauny. Použijte kartáč s tvrdými štětinami a čisticí prostředek určený pro sauny.
- Otřete saunová kamna vlhkým hadříkem, abyste odstranili prach a nečistoty. Skvrny od vodního kamene ze saunových kamen odstraňte pomocí 10% roztoku kyseliny citronové a opláchněte.

8. NÁVOD K POUŽITÍ

8.1. Používání saunových kamen



Před zapnutím saunových kamen vždy zkontrolujte, zda se na nich nebo v jejich blízkosti nenacházejí žádné předměty.

- Saunová kamna se ovládají prostřednictvím samostatné řídicí jednotky. Řiďte se návodem k použití dodaným s řídicí jednotkou.
- Při prvním použití saunová kamna a kameny vydávají zápach, jehož odstranění vyžaduje důkladné větrání saunové místnosti.
- Pokud mají saunová kamna správný výkon s ohledem na saunovou místnost, správně tepelně odizolovaná saunová místnost se vyhřeje na provozní teplotu přibližně za hodinu. Kameny saunových kamen se obvykle zahřejí za stejnou dobu jako saunová místnost.
- Vhodná teplota v saunové místnosti je přibližně 65–80 °C.

8.2 Vypouštění vody



Nepoužívejte naběračku s objemem větším než 0,2 litru. Pokud se na saunová kamna najednou nalije nebo hodí příliš mnoho vody, může v důsledku varu prudce vystříknout na saunující se osoby.



Abyste předešli riziku popálení, nelijte na saunová kamna vodu, když se v jejich blízkosti někdo nachází.

- Vzduch v sauně se při rozžhavení sauny vysušuje. Proto je nutné zvyšovat vlhkost postupným poléváním saunových kamenů vodou.
- Každý pociťuje účinky tepla a vlhkosti jinak – experimentujte, abyste našli tu správnou teplotu a vlhkost pro vás.
- Vodu se snažte lít pouze na saunové kameny.

8.3. Požadavky na kvalitu vody

- Voda používaná v sauně by měla splňovat požadavky na kvalitu pitné vody (Tabulka 2).
- Smí se používat pouze vonné esence určené pro saunovou vodu. Postupujte podle pokynů dodaných s vonnou esencí.

Vlastnosti vody	Účinky	Doporučení
Organické nečistoty	Barva, chuť, sraženiny	<12 mg/l
Obsah železa	Barva, zápach, chuť, sraženiny	<0,2 mg/l
Obsah manganu (Mn)	Barva, zápach, chuť, sraženiny	<0,10 mg/l
Tvrdość vody: hlavními složkami jsou vápník (Ca) a hořčík (Mg)	Sraženiny	Ca: <100 mg/l Mg: <100 mg/l
Chloridová voda	Koroze	Cl: <100 mg/l
Chlorovaná voda	Zdravotní riziko	Zakázané použití
Mořská voda	Rychlá koroze	Zakázané použití
Koncentrace arsenu a radonu	Zdravotní riziko	Zakázané použití

Tabulka 2

8.4. Pokyny pro saunování

- Saunování zahajte tím, že se nejdřív umyjete.
- Posadte se do sauny na tak dlouho, jak vám to bude příjemné.
- Zpomalte své myšlenky a uvolněte se.
- K dobrým saunovým mravům patří ohleduplnost vůči ostatním uživatelům sauny a vyvarování se hlasitého chování, které by je mohlo rušit.
- Neodhánějte ostatní ze saunových lavic nadměrným poléváním kamenů vodou.
- Zchlaďte svou pokožku. Pokud jste zdraví, můžete si při ochlazování dopřát osvěžující plavání.
- Na závěr saunování se umyjte.
- Odpočívajte a nechte své tělo zrelaxovat. Dopřejte si osvěžující nápoj k doplnění tekutin.



Všechny úkony údržby vyžadující speciální dovednosti musí provádět vyškolený odborník.

9.1 Kameny do saunových kamen

- V důsledku intenzivního tepelného cyklu se stav kamenů v saunových kamnech během používání postupně zhoršuje a kameny se drojí. Kameny vyměňte alespoň jednou ročně nebo častěji, pokud se sauna používá intenzivně.
- Zároveň odstraňte nahromaděné úlomky kamenů a vyměňte všechny poškozené kameny. Tím zajistíte správné parní vlastnosti saunových kamen a eliminujete riziko přehřátí.
- Občas zkontrolujte, zda se úroveň kamenů nesnížila. Ujistěte se, že časem nezačnou být skrze kameny topná tělesa vidět. Je pravděpodobné, že zhruba za dva měsíce po umístění kamenů se jejich úroveň sníží.

9.2 Řešení problémů

Saunová kamna se nezahřívají

- Zkontrolujte, zda jsou v pořádku pojistky saunových kamen v elektrickém panelu.
- Zkontrolujte, zda je zapojen přípojovací kabel saunových kamen.
- Zkontrolujte, zda neseplula ochrana proti přehřátí (viz návod k instalaci řídicí jednotky).

Saunová místnost se ohřívá pomalu. Voda nalitá na saunová kamna rychle ochlazuje kameny

- Zkontrolujte, zda jsou v pořádku pojistky saunových kamen v elektrickém panelu.
- Zkontrolujte, zda při zapnutí saunových kamen svítí všechna topná tělesa.
- Nastavte vyšší teplotu (viz návod k instalaci řídicí jednotky).
- Zkontrolujte, zda není výkon saunových kamen příliš nízký.
- Zkontrolujte, zda je ventilace v saunové místnosti nastavena správně.

Saunová místnost se rychle zahřívá, ale kameny se zahřát nestáčí. Voda nalitá na saunová kamna se neodpařuje, ale protéká prostorem pro kameny

- Zkontrolujte, zda není příliš vysoký výkon saunových kamen.
- Zkontrolujte, zda je správně nastavena ventilace v saunové místnosti.

Panely nebo jiný materiál v blízkosti saunových kamen rychle tmavnou

- Zkontrolujte, zda jsou dodrženy požadavky na bezpečnostní vzdálenost.
- Ujistěte se, že nad kameny nejsou vidět topná tělesa. Pokud vidět jsou, přeskočte kameny tak, aby byly topná tělesa zcela zakrytá.
- Viz také bod (7.3. Zatemnění stěn sauny).

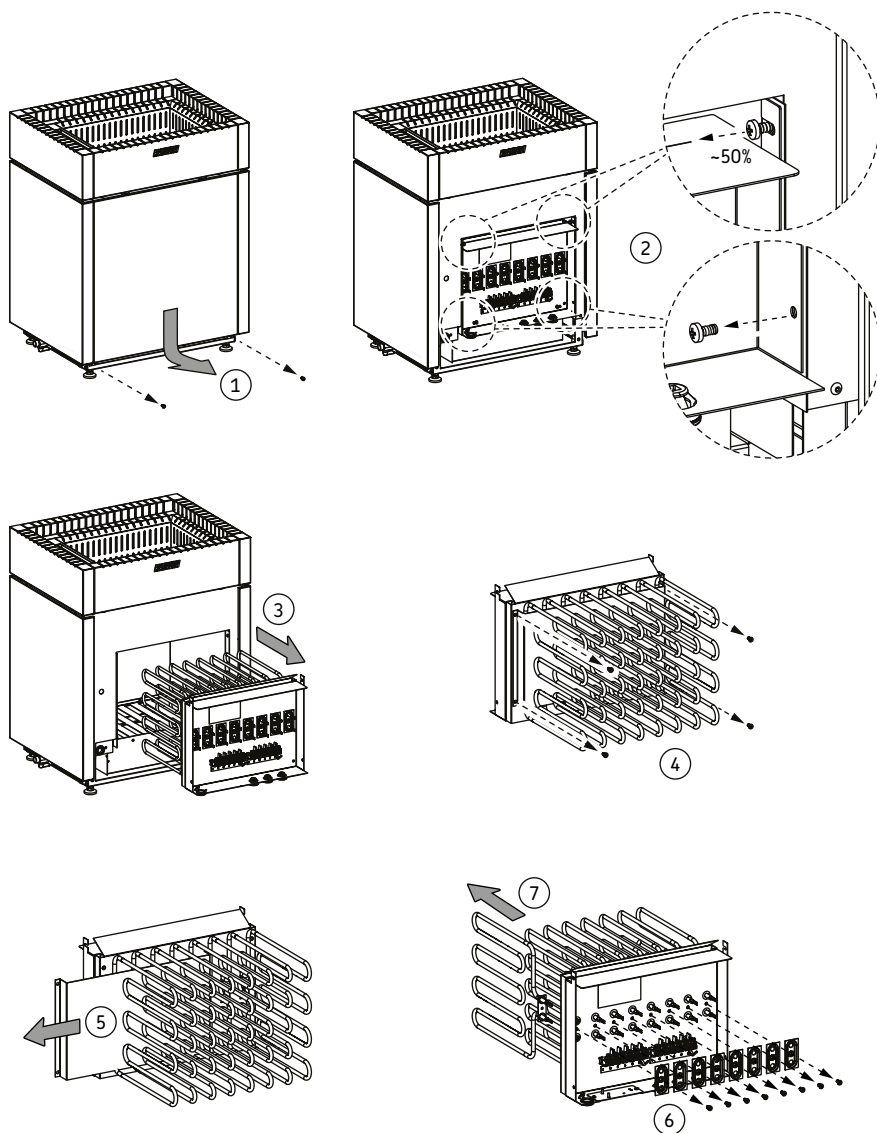
Saunová kamna vydávají zápach

- Viz bod (8.1. Používání saunových kamen)
- Rozpálená saunová kamna mohou zesílit pachy ve vzduchu, ale sauna ani kamna sama o sobě pachy neprodukuje. Příklady: barvy, lepidla, topný olej a koření.

Saunová kamna vydávají hluk

- Občasné rány jsou obvykle způsobeny kameny, které v žáru praskají.
- Hluk může způsobovat tepelná roztažnost částí saunových kamen při jejich zahřívání.

9.3. Výměna topných těles



CS

Obrázek 11 Výměna topných těles

10. NÁHRADNÍ DÍLY

spareparts.harvia.com



11. ZÁRUK

www.harvia.com



Harvia Qube

Električni grelec za savno

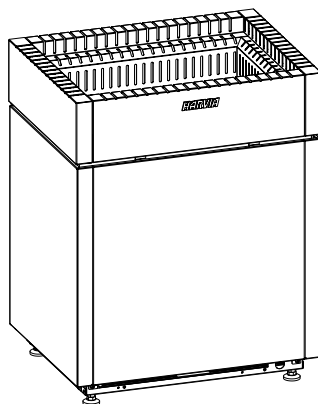
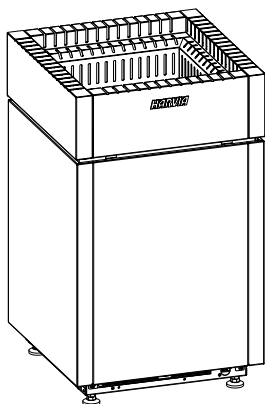
Navodila za namestitev in uporabo

HARVIA

Sauna & Spa

Let's sauna.

Št. artikla	Vrsta	Moč
HQU904M	QU90E	9 kW
HQU1054M	QU105E	10.5 kW
HQU1204M	QU120E	12 kW
HQU1504M	QU150E	15 kW



SL



Čestitamo za odlično izbiro grelca za savno!

Grelca za savno Harvia je izvrsten in vam bo služil dolgo časa, če ga boste uporabljali in vzdrževali, kot je opisano v tem priročniku. Pred namestitvijo ali uporabo grelca za savno preberite navodila. Navodila shranite za poznejšo uporabo. Navodila za namestitev in uporabo najdete tudi na našem spletišču www.harvia.com.

Kazalo vsebine

1. OPOZORILA IN OPOMBE	3
2. PRED NAMESTITVIJO	7
3. VSEBINA PAKETA.....	8
4. PRIMER NAMESTITVENEGA PAKETA	8
5. TEHNIČNE INFORMACIJE	9
6. NAVODILA ZA NAMESTITEV	11
6.1. Varnostne razdalje.....	11
6.2. Namestitev grelca za savno.....	12
6.3. Namestitev krmilne enote in senzorjev	13
6.4. Električni priključki	14
6.5. Izolacijska upornost električnega grelca za savno	16
6.6. Polaganje kamnov za savno	17
7. SAVNA	18
7.1. Struktura savne	18
7.2. Moč grelca za savno	18
7.3. Potemnitev sten savne	18
7.4. Prezračevanje v savni	19
7.5. Higiena v savni	19
8. NAVODILA ZA UPORABO	20
8.1. Uporaba grelca za savne	20
8.2. Zlivanje vode	20
8.3. Zahteve glede kakovosti vode.....	21
8.4. Navodila za savnanje	21
9. REDNO VZDRŽEVANJE	22
9.1. Kamni grelca za savno.....	22
9.2. Odpravljanje težav	22
9.3. Menjava grelnih elementov.....	23
10. REZERVNI DELI	24
11. GARANCIJSKI POGOJI	24

1. OPOZORILA IN OPOMBE



Natančno preberite opozorila in navodila, preden začnete uporabljati napravo.



OPOZORILO! Neupoštevanje tega opozorila lahko povzroči resne telesne poškodbe ali smrt.



PREVIDNO! Neupoštevanje tega opozorila lahko povzroči manjše ali resne telesne poškodbe.



Ne pokrivajte!

Namestitev

- Grelec za savno je namenjen ogrevanju savne na želeno temperaturo. Uporaba za kakršne koli druge namene je prepovedana. Krmilna enota je namenjena krmiljenju grelca za savno in ustreznih funkcij za savno. Uporaba za kakršne koli druge namene je prepovedana.
- Napravo lahko na električno omrežje priključi samo usposobljen električar v skladu z veljavnimi predpisi. Oseba, ki je odgovorna za namestitev naprave, mora uporabniku pred predajo nameščene naprave posredovati priložena navodila za namestitev in uporabo ter jo ustrezno usposobiti za uporabo.
- Napravo pred servisom vedno izključite iz električnega omrežja!
- Pred namestitvijo in zagonom preverite, ali so na napravi vidne kakršne koli poškodbe. Ne uporabljajte poškodovane naprave.
- Vedno upoštevajte vrednosti, navedene v navodilih za uporabo naprave. Odstopanje od njih lahko povzroči požar.
- V savno je dovoljeno namestiti samo en električni grelec, razen če je v navodilih navedeno drugače.
- Naprava mora biti nameščena tako, da so opozorila tudi po namestitvi lahko berljiva.
- Grelec ali naprava za savno se ne sme namestiti v zidno nišo, razen če je v navodilih za uporabo navedeno drugače.
- Če je okrog grelca za savno nameščena zaščitna ograja, je treba upoštevati varnostne razdalje, navedene v navodilih za uporabo grelca.
- Če želite namestiti dodatno opremo za napravo, morate pri namestitvi ali uporabi le-te vedno upoštevati zadevna navodila.
- Poskrbite za zadostno prezračevanje savne (menjava zraka se mora izvesti šestkrat na uro).

- Zračnik za dovod zraka mora biti nameščen tako, da pretok zraka ne hladi toplotnega senzorja (glejte navodila za namestitev toplotnega senzorja).
- Če je napajalni kabel poškodovan, ga mora zamenjati proizvajalec ali zastopnik za vzdrževanje ali druga usposobljena oseba, da se preprečijo morebitne nevarnosti.
- Uporaba kabla s PVC-izolacijo kot priključnega kabla grelca za savno je prepovedana zaradi njegove občutljivosti na visoke temperature.
- Pri nameščanju grelca za savno vedno preverite stanje priključkov razdelilne omarice savne. Priporočamo vijačne priključke. Ne uporabljajte vzmetnim priključkom!
- Ne priključujte napajanja na električni grelec prek zaščitnega stikala na diferenčni tok.
- Če napravo uporabljate v javni savni brez časovnika, naj bo lučka indikatorja moči nameščena v prostoru, v katerem se naprava uporablja.
- Med namestitvijo in vzdrževanjem ter pri dodajanju kamnov za savno vedno nosite zaščitne rokavice.
- Grelne elemente popolnoma prekrijte s kamni; žareč goli grelni element lahko povzroči požar!
- V prostor za kamne, ki je del grelca za savno, oziroma njegovo bližino ne postavljajte nobenih predmetov ali naprav, ki bi lahko spremenile količino ali smer pretoka zraka skozi grelec.

Uporaba in savnanje

- Otroci, stari 8 let ali več, in osebe z zmanjšanimi fizičnimi, senzoričnimi ali duševnimi sposobnostmi ali s pomanjkanjem izkušenj in znanja, lahko uporabljajo to napravo le pod nadzorom ali če so poučene o varni uporabi naprave in razumejo s tem povezana tveganja.
- Otroci se ne smejo igrati z napravo. Otroci ne smejo brez nadzora čistiti naprave ali izvajati kakršnih koli vzdrževalnih del na njej.
- Bodite previdni v bližini vročega grelca za savno. Kamni in kovinski deli grelca za savno so dovolj vroči, da ožgejo kožo.
- Pred vklopom vedno preverite, da na grelcu za savno ali v njegovi bližini ni nobenih predmetov.
- Pri prvih nekaj segrevanjih grelca za savno poskrbite za zadostno prezračevanje, saj lahko grelec oddaja neprijeten vonj.
- Na grelec za savno ne vrzite ali zlijte preveč vode naenkrat, ker lahko pljuski vrele vode povzročijo opekline.
- Na grelec za savno ne zlivajte vode, ko je nekdo v njegovi bližini.
- Ne uporabljajte zajemalke s prostornino, večjo od 0,2 litra.

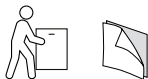
- Uporabljajte zgolj tisto vrsto vode, ki je navedena v navodilih grelca za savno.
- Če v vodi uporabljate dišave za savno, uporabljajte zgolj tiste, ki so temu namenjene, in upoštevajte navodila za njihovo uporabo.
- Dolgotrajno zadrževanje v vroči savni zviša telesno temperaturo, kar je lahko nevarno.
- Grelec za savno naj bo nedosegljiv otrokom.
- Otrok, gibalno oviranih oseb, bolnih ali drugače onemoglih ne puščajte samih v savni.
- Posvetujte se z zdravnikom, če imate zdravstvene težave, ki bi lahko vplivale na uporabo savne.
- Pri gibanju v savni bodite previdni, saj so klopi ali talne površine lahko spolzke.
- Ne vstopajte v vročo savno, če ste pod vplivom alkohola, zdravil, narkotikov ali drugih opojnih substanc.
- Ne spite v ogrevani savni.
- Morsko podnebje in druga vlažna podnebja lahko razjedajo kovinske površine grelca za savno.
- Zaradi nevarnosti požara savne ne uporabljajte kot sušilnice za perilo. Električne naprave lahko poškoduje tudi visoka vlažnost.
- Zaščitite pred pregrevanjem ne ponastavite s pritiskom na gumb za ponastavitev, dokler ne ugotovite vzroka za njeno sprožitev. Zaščito pred pregrevanjem naj ponastavi samo usposobljen serviser, razen če je v navodilih navedeno drugače.
- Po preteku vklopnega časa preverite, ali se je grelec za savno zagotovo izklopil in prenehal greti.
- Vroči kameni, ki padajo iz grelca za savno, lahko poškodujejo talne obloge in povzročijo požar.
- V javnih savnah, kjer se grelec za savno uporablja brez časovnika ali neprekinjeno dlje časa, kot dovoljuje tovarniško nastavljen časovnik na grelcu ali krmilni enoti, je treba napravo stalno nadzorovati.
- Pred ponovnim vklopom ali daljinskim vklopom grelca za savno vedno preglejte prostor za savno in okolico grelca za savno.
- Prostor za savno in okolico grelca za savno morate vedno pregledati, preden napravo preklopite v stanje pripravljenosti za daljinsko upravljanje ali časovno vnaprej določeno delovanje.
- V skladu s standardom IEC/EN 60335-2-53 za električno ogrevane grelce za savno se lahko krmilne enote s funkcijo daljinskega zagona uporabljajo za nadzor in regulacijo grelca za savno, če je na grelcu ali vratih savne nameščen ustrezen varnostni izklopni mehanizem (vrata ali varnostno stikalo).

Vzdrževanje

- Vsa vzdrževalna dela, za katera je potrebno posebno znanje, mora izvajati usposobljen strokovnjak.
- Grelec za savno občasno obrišite z vlažno krpo, da odstranite prah in umazanijo. Po potrebi uporabite blage detergente. Pri čiščenju ne uporabljajte tekoče vode.
- Pred začetkom čiščenja se prepričajte, da se je naprava popolnoma ohladila.
- Vsaj enkrat na leto prerazporedite kamne ali zamenjajte tiste, ki so polomljeni.

2. PRED NAMESTITVIJO

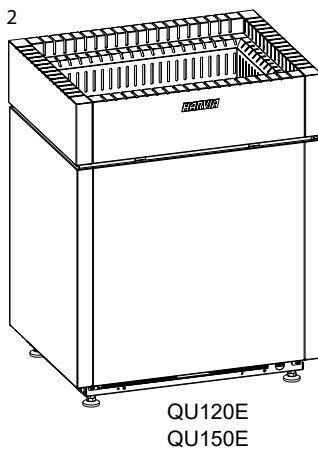
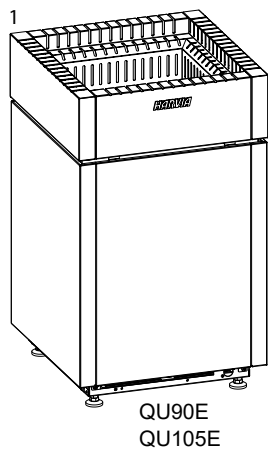
- Grelec za savno vedno prevažajte le v pokončnem položaju.
- Grelec za savno lahko dvignete in premikate s pomočjo zunanjskega ohišja.
- Pred uporabo odstranite zaščitno folijo z grelca za savno.



Kontrolni seznam za namestitev grelca za savno

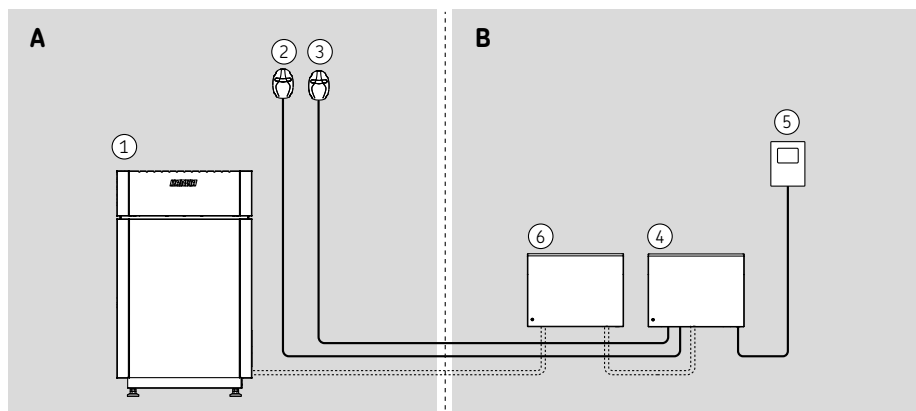
- Preverite, ali je grelec nepoškodovan. Ne uporabljajte okvarjenega grelca za savno. Morebitne poškodbe, nastale med transportom, sporočite dobavitelju.
- Grelec za savno je po moči in vrsti primeren za vašo savno. Vrednosti prostornine savne ne smejo biti večje ali manjše od (5. Tehnične informacije) (7.2. Moč grelca za savno).
- Napajalna napetost je primerna za grelec za savno.
- Pri namestitvi grelca za savno se upoštevajo minimalne varnostne razdalje (6.1. Varnostne razdalje).
- Lokacija senzorja za temperaturo/zaščite pred pregrevanjem je ustrezna glede na grelec za savno. Prepričajte se, da je senzor nameščen v skladu z navodili.
- Prepričajte se, da so kamni grelca naloženi v skladu z navodili.
- Če boste nameščali dodatno opremo, upoštevajte navodila za namestitev in uporabo posameznega izdelka.
- Prepričajte se, da je krmilna enota združljiva z grelcem za savno. Na Harvia.com lahko preverite združljivost najnovejših modelov krmilnih enot.
- Ta priročnik shranite za poznejšo uporabo.

3. VSEBINA PAKETA



- | |
|--------------------------------------|
| 1. Grelec za savno |
| 2. Navodila za namestitev in uporabo |

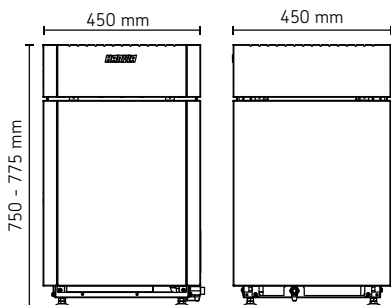
4. PRIMER NAMESTITVENEGA PAKETA



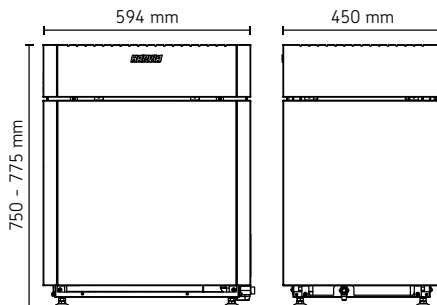
A. Savna	B. Suh prostor
1. Grelec za savno	4. Krmilna enota
2. Senzor za temperaturo	5. Nadzorna plošča
3. Tipalo za klop	6. podaljšek napajanja (neobvezno, treba ga je uporabiti, če sta 2 skupini ali več kot 11 kW)

5. TEHNIČNE INFORMACIJE

QU90E, QU105E



QU120E, QU150E



PODATKI O NAMESTITVI				
	QU90E	QU105E	QU120E	QU150E
Moč (kW) grelca za savno	9	10.5	12	15
Delovne napetosti	400 V 3N- 230 V 1N-	400 V 3N- 230 V 1N-	400 V 3N-	400 V 3N-
Električne skupine	1 skupina	1 skupina	2 skupini	2 skupini
Frekvenca (Hz)	50 / 60	50 / 60	50 / 60	50 / 60
Napajalni kabel	5 x 2.5 mm ²	5 x 2.5 mm ²	5 x 2.5 mm ²	5 x 2.5 mm ²
Vrsta priključnega kabla	H07RN-F ali enakovredno	H07RN-F ali enakovredno	H07RN-F ali enakovredno	H07RN-F ali enakovredno
Stopnja zaščite	IPX4	IPX4	IPX4	IPX4
Temperatura skladiščenja	0-50°C	0-50°C	0-50°C	0-50°C
KAMNI				
	QU90E	QU105E	QU120E	QU150E
Velikost kamnov (cm)	Ø 5-10	Ø 5-10	Ø 5-10	Ø 5-10
Količina kamnov (kg)	25	25	40	40
MERE				
	QU90E	QU105E	QU120E	QU150E
Višina (mm)	750 - 775	750 - 775	750 - 775	750 - 775
Širina (mm)	450	450	594	594
Globina (mm)	450	450	450	450
Teža (kg)	34	34	40	40

PROSTOR ZA SAVNO				
	QU90E	QU105E	QU120E	QU150E
Prostornina prostora (m³)	9-14	10-15	14-18	18-25
Najmanjša višina savne (mm)	1900	1900	1900	1900
ODOBRENI DODATKI				
	QU90E	QU105E	QU120E	QU150E
Zaščitna ograja	QUBE-L5 QUBE-W5	QUBE-L5 QUBE-W5	QUBE-L6 QUBE-W6	QUBE-L6 QUBE-W6
Varnostne naprave SFE	SFE-500500	SFE-500500	SFE-500500	SFE-500500
ZDRUŽLJIVE KRMILNE ENOTE				
	QU90E	QU105E	QU120E	QU150E
Oglejte si najnovjše modele krmilnih enot na našem spletišču harvia.com	FX110 CX110 C105VKK Pro B2 Pro C2 Pro D2 Pro D2i	FX110 CX110 C105VKK Pro B2 Pro C2 Pro D2 Pro D2i	FX170 CX170 C105VKK *) Pro B2 *) Pro C2 *) Pro D2 *) Pro D2i *)	FX170 CX170 C105VKK *) Pro B2 *) Pro C2 *) Pro D2 *) Pro D2i *)
POVEČANJE MOČI *)				
	QU90E	QU105E	QU120E	QU150E
Oglejte si najnovjše modele za povečanje moči na našem spletišču harvia.com	LTY17 0-S2-18 0-S2-18S	LTY17 0-S2-18 0-S2-18S	LTY17 0-S2-18 0-S2-18S	LTY17 0-S2-18 0-S2-18S
*) neobvezno, treba ga je uporabiti, če sta 2 skupini ali več kot 11 kW				

Tabela 1. Tehnične informacije

6. NAVODILA ZA NAMESTITEV



Vedno upoštevajte vrednosti, navedene v navodilih za uporabo naprave. Odstopanje od njih lahko povzroči požar.



V savno je dovoljeno namestiti samo en električni grelec, razen če je v navodilih navedeno drugače.

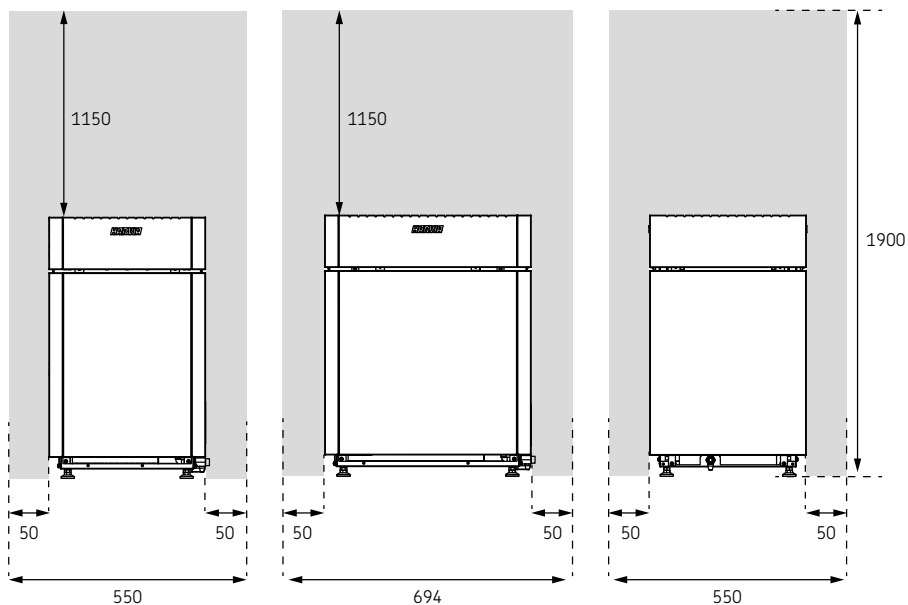


Naprava mora biti nameščena tako, da so opozorila tudi po namestitvi lahko berljiva.

6.1. Varnostne razdalje

- Minimalne zaščitne razdalje do gorljivega materiala so prikazane na sliki (Slika 1. Varnostne razdalje).
- Če je okrog grelnika savne nameščena zaščitna ograja, je treba upoštevati varnostne razdalje, navedene na sliki (Slika 1. Varnostne razdalje) ali v navodilih za namestitev zaščitne ograje.

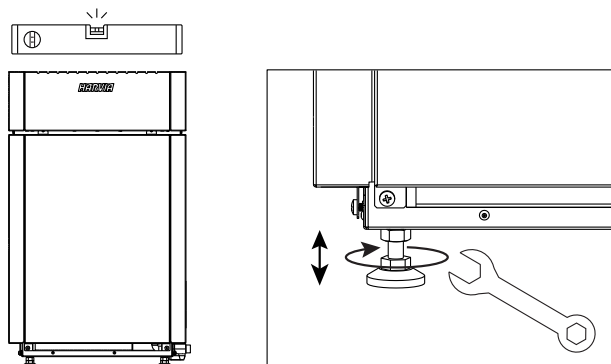
(min. mm)



SL

Slika 1. Varnostne razdalje

6.2. Namestitev grelca za savno



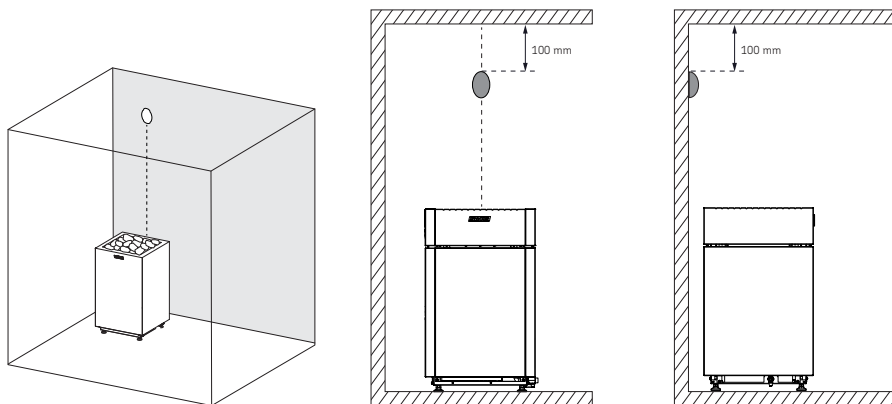
Slika 2. Namestitev grelca za savno

6.3. Namestitev krmilne enote in senzorjev

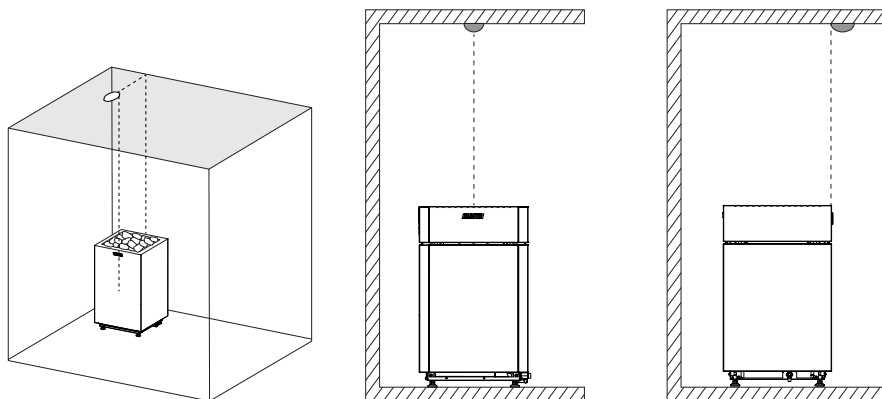


Zračnik za dovod zraka mora biti nameščen tako, da pretok zraka ne hladi toplotnega senzorja.

- Krmilni enoti so priložena podrobna navodila, kako jo pritrditi na steno.
- Toplotni senzor namestite, kot je prikazano na sliki. Če je grelec za savno od stene oddaljen več kot 150 mm, je treba senzor namestiti na strop.



Slika 3a. Namestitev toplotnega senzorja na steno



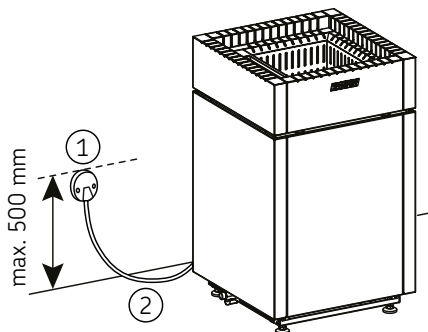
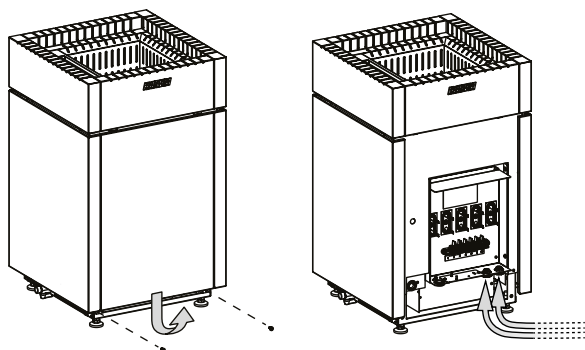
Slika 3b. Namestitev toplotnega senzorja na strop

6.4. Električni priključki



Grellec za savno lahko na električno omrežje priključi samo usposobljen električar v skladu z veljavnimi predpisi.

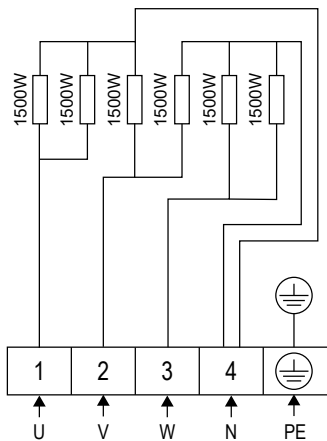
- Grellec za savno je polfiksno priključen na razdelilno omarico na steni savne. Razdelilna omarica mora biti zaščiten pred škropljenjem in ne sme biti več kot 500 mm nad tlemi.
- Priključni kabel mora biti gumijasti kabel tipa HO7RN-F (ali enakovreden). **OPOMBA:** Uporaba kabla s PVC-izolacijo kot priključnega kabla grelca za savno je prepovedana zaradi njegove občutljivosti na visoke temperature.
- Če so priključni ali inštalacijski kabli v savni ali znotraj sten savne nameščeni več kot 1000 mm nad tlemi, morajo vzdržati temperaturo najmanj 170 °C pod obremenitvijo (npr. kabli s silikonskim plaščem). Električna oprema, nameščena več kot 1000 mm nad tlemi savne, mora biti odobrena za uporabo pri temperaturi okolja 125 °C (oznaka T125).



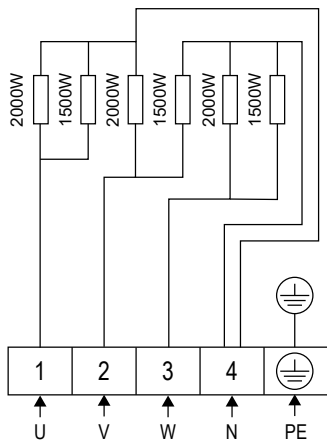
1. Razdelilna omarica

2. Kabel

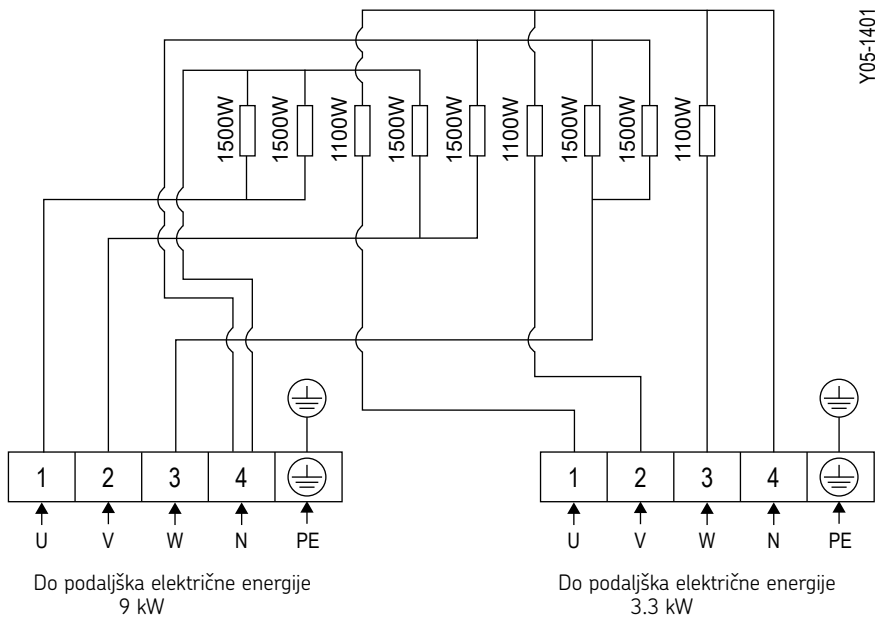
Slika 4. Električni priključki



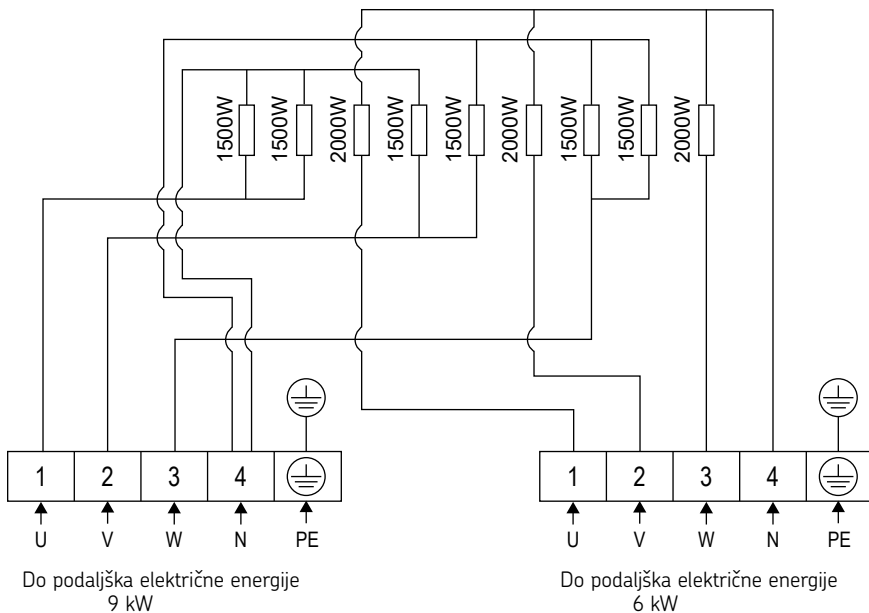
Slika 5. Shema ožičenja QU90E



Slika 6. Shema ožičenja QU105E



Slika 7. Shema ožičenja QU120E



Slika 8. Shema ožičenja QU150E

6.5. Izolacijska upornost električnega grelca za savno



Ne priključujte napajanja na električni grelec prek zaščitnega stikala na diferenčni tok!

Pri končnem pregledu električnih inštalacij lahko meritev izolacijske upornosti grelca za savno pokaže »puščanje« zaradi vlage v zraku, ki se absorbira (med skladiščenjem/transportom) v izolacijski material grelnih elementov. Vlago je mogoče odstraniti iz grelnih elementov po nekaj ciklih segrevanja.

6.6. Polaganje kamnov za savno



Kamni grelca za savno so pomembni za njegovo varnost. Za ohranitev veljavnosti garancije je uporabnik odgovoren za pravilno vzdrževanje prostora za kamne v skladu s specifikacijami in navodili.



V prostor za kamne, ki je del grelca za savno, oziroma njegovo bližino ne postavljajte nobenih predmetov ali naprav, ki bi lahko spremenile količino ali smer pretoka zraka skozi grelec.



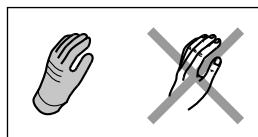
Če grelni element ni obdan s kamni, lahko nevarno segreje materiale, celo zunaj varnostne razdalje grelca za savno. Prepričajte se, da grelni elementi pod kamni niso vidni. Kot uporabnik ste odgovorni zagotoviti, da je prostor za kamne pravilno vzdrževan v celotnem življenjskem ciklu grelca za savno.

Pomembne informacije o primernih kamnih za savno:

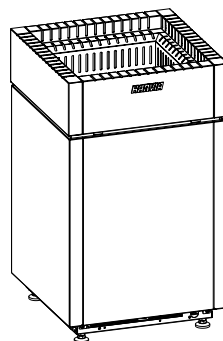
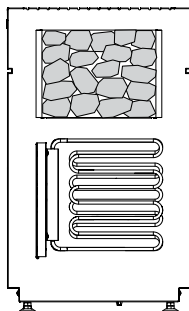
- Primerni materiali kamnov za savno so peridotit, olivin diabaz, olivin in vulkanit.
- V grelcu za savno uporabljajte samo skrilave in/ali zaobljene kamne.
- Če so grelni elementi električnega grelca za savno v stiku s kamni, lahko zaobljene kamne uporabite le v zunanjih slojih prostora za kamne, da ne pridejo v stik z grelnimi elementi.
- Keramične in okrasne kamne je dovoljeno uporabljati le, če jih je odobril proizvajalec in se uporabljajo v skladu z njegovimi navodili.
- Upoštevajte, da so okrasni kamni primerni samo za zgornjo plast prostora za kamne. Med posameznimi okrasnimi kamni mora biti dovolj prostora, da zagotovite zadostno kroženje zraka. Morebitne okrasne kamne položite tako, da se ne dotikajo grelnih elementov električnega grelca za savno.
- Garancija ne pokriva okvar, nastalih zaradi uporabe okrasnih kamnov ali kamnov za savne, ki jih proizvajalec ne priporoča.
- Preden kamne položite v grelec, z njih sperite morebitni kameni prah.

Pri polaganju kamnov upoštevajte naslednje:

- Začnite z največjimi kamni, ki jih postavite na dno in ob straneh. S tem boste zagotovili zadostno prezračevanje in ustvarili stabilno podlago prostora za kamne.
- Kamne polagajte enega za drugim. Ne mečite jih v prostor za kamne.
- Na grelec ne polagajte kupa kamenja. Kamni lahko dosežejo nivo zračnih kanalov grelca. Prevelika količina kamenja oslabi prezračevanje in lastnosti grelca.
- Priporočamo, da shranite nekaj dodatnih kamnov, da lahko nadomestite polomljene ali dodate nove, če se raven kamnov sčasoma zniža.



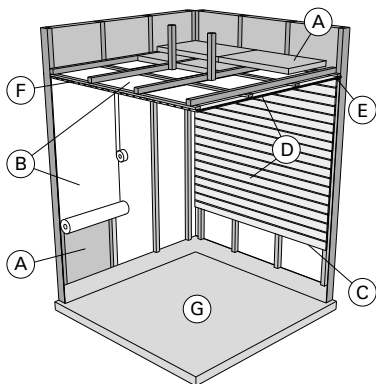
	QU90E	QU120E,
	QU105E	QU150E
	Ø 5-10cm	Ø 5-10cm
	25kg	40kg



SL

Slika 9. Polaganje kamnov za savno

7.1. Struktura savne



- A. Izolacijska volna debeline 50–100 mm. Prostor za savno mora biti skrbno izoliran, da bo izhodna moč grelca za savno na razumno nizki ravni.
- B. Pregrada proti vlagi, npr. aluminijasti papir. Papir položite tako, da je svetleča stran obrnjena proti notranjosti savne. Spoje tesno zalepite z aluminijastim trakom.
- C. Približno 10-milimetrska prezračevalna reža med pregrado proti vlagi in ploščo (priporočeno).
- D. Panelna plošča z majhno maso in debelino 12–16 mm. Preden začnete s polaganjem plošč, preverite električno napeljavo naprav ter ojačitve, potrebne za grelec za savno in klopi v stenah.
- E. Približno 3-milimetrska prezračevalna reža med stenskimi in stropnimi ploščami.
- F. Višina savne je običajno 2.100–2.300 mm. Najmanjša višina je odvisna od grelca za savno. Razdalja med zgornjo klopio in stropom ne sme presegati 1200 mm.
- G. Uporabite keramične talne obloge in temne fuge. Razrahljani delci kamnov in nečistoče v vodi za savno lahko umažejo in/ali poškodujejo občutljive talne obloge.

OPOMBA: Pri odgovornih osebah za požarno varnost preverite, katere dele požarnega zidu je mogoče izolirati. Dimniki v uporabi ne smejo biti izolirani.

OPOMBA: Lahka zaščita, nameščena neposredno na steno ali strop, lahko povzroči požar.

OPOMBA: Voda na tleh savne mora biti usmerjena v talni odtok.

7.2. Moč grelca za savno

Po namestitvi stenskih in stropnih plošč ter zadostne izolacije za njimi se določi moč grelca za savno glede na prostornino savne. Pri neizoliranih stenskih površinah (opeka, steklena opeka, steklo, beton, ploščice itd.) mora biti moč grelca za savno večja. Za vsak kvadratni meter neizolirane stenske površine dodajte prostornini savne 1,2 m³. Na primer, za savno s steklenimi vrati, veliko 10 m³, potrebujete tolikšno moč kot pri savni s prostornino 12 m³. Če ima savna stene iz brun, prostornino savne pomnožite z 1,5.(5. Tehnične informacije)

7.3. Potemnitev sten savne

Normalno je, da lesene površine v savni sčasoma potemnijo. Proces lahko poteka hitreje zaradi

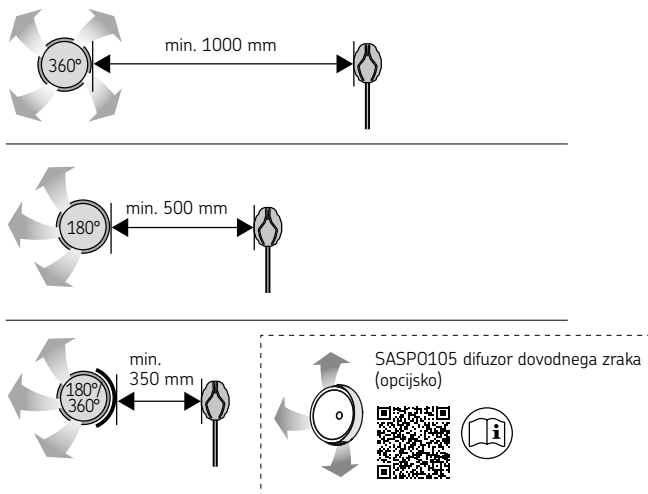
- sončne svetlobe,
- vročine, ki jo oddaja grelec za savno,
- zaščitnega materiala za stenske površine (zaščitni materiali imajo slabo toplotno odpornost),
- drobnih delcev s kamnov grelca za savno, ki se dvigajo z zračnimi tokovi.

7.4. Prezračevanje v savni

! Senzor za temperaturo mora biti vedno nameščen na predpisanem mestu. Če najmanjša razdalja od zračnika za dovod zraka ni zagotovljena, je treba prilagoditi prezračevanje!

! Zračnik za dovod zraka mora biti nameščen tako, da pretok zraka ne hladi toplotnega senzorja!

- Zrak v prostoru za savno se mora zamenjati šestkrat na uro.
- **Mehanično prezračevanje:** Zračnik za dovod zraka mora biti nameščen na zgornji strani savne, da ne ovira delovanja senzorja za temperaturo. (Slika 9. Najmanjša razdalja od zračnika za dovod zraka do senzorja za temperaturo.)
- **Prezračevanje pod pritiskom:** Zračnik za dovod zraka mora biti nameščen pod grelcem za savno ali poleg njega. Premer zračnika za dovod zraka mora biti med 50 mm in 100 mm.
- Rešetka za izpuh zraka: Rešetko za izpuh zraka namestite čim dlje od grelca za savno in bližje tlom. Premer rešetke za izpuh zraka mora biti dvakrat večji od premera zračnika za dovod zraka.
- Možen odtočni ventil, ki je pri segrevanju in savnanju zaprt. Savno lahko posušite tudi tako, da po savnanju pustite odprta vrata.
- Če je rešetka za izpuh zraka v toaletnem prostoru, mora biti razmik pod vrati savne najmanj 100 mm. Mehanično izpušno prezračevanje je obvezno.



Slika 10. Najmanjša razdalja od zračnika za dovod zraka do senzorja za temperaturo.

7.5. Higiena v savni

- Pri savnanju priporočamo uporabo prevleke za sedež, da preprečite kapljanje znoja na klopi.
- Vsaj vsakih šest mesecev temeljito pomijte klopi, stene in tla savne. Uporabite sirkovo krtačo in detergent za savne.
- Grelca za savno obrišite z vlažno krpo, da odstranite prah in umazanijo. Vodni kamen premažite z 10-odstotno raztopino citronske kisline in sperite.

8. NAVODILA ZA UPORABO

8.1. Uporaba grelca za savne



Pred vklopom vedno preverite, da na grelcu za savno ali v njegovi bližini ni nobenih predmetov.

- Grelec za savno se upravlja z ločeno krmilno enoto. Glejte navodila za uporabo, ki so priložena krmilni enoti.
- Grelec in kamni že ob prvi uporabi sproščajo vonjave. Za njihovo odstranitev je potrebno dobro prezračevanje savne.
- Če je grelec za savno ustrezne moči za savno, v kateri se uporablja, se pravilno toplotno izolirana savna ogreje na delovno temperaturo v približno eni uri. Kamni za savno se običajno segrejejo v enakem času kot savna.
- Primerna temperatura v savni je okoli 65–80 °C.

8.2. Zlivanje vode



Ne uporabljajte zajemalke s prostornino več kot 0,2 litra. Če na grelec za savno naenkrat vržete ali zlijete preveč vode, lahko ta med vrenjem pljusne po uporabnikih savne.



Da se izognete nevarnosti opeklin, ne polivajte vode na grelec za savno, ko so ljudje v njegovi bližini.

- Zrak v savni se pri segrevanju izsuši. Vlažnost je treba zato povečati s polivanjem kamnov v grelcu za savno.
- Vsak doživlja učinke vročine in vlažnosti na svoj način – poskusite najti pravo temperaturo in vlažnost zase.
- Vodo poskusite polivati samo po kamnih v grelcu za savno.

8.3. Zahteve glede kakovosti vode

- Voda, ki se uporablja v savni, mora izpolnjevati zahteve kakovosti za sanitarno vodo (Tabela 2.).
- Uporabljati je dovoljeno samo dišave, ki so namenjene vodi za savno. Sledite navodilom, ki so priložena dišavi.

Lastnosti vode	Učinki	Priporočilo
Organske nečistoče	Barva, okus, oborine	< 12 mg/l
Vsebnost železa	Barva, vonj, okus, oborine	< 0,2 mg/l
Vsebnost mangana (Mn)	Barva, vonj, okus, oborine	< 0,10 mg/l
Trdota vode: glavni sestavini sta kalcij (Ca) in magnezij (Mg)	Oborine	Ca: < 100 mg/l Mg: < 100 mg/l
Kloridna voda	Korozija	Cl: < 100 mg/l
Klorirana voda	Tveganje za zdravje	Prepovedana uporaba
Morska voda	Hitra korozija	Prepovedana uporaba
Koncentracije arzena in radona	Tveganje za zdravje	Prepovedana uporaba

Tabela 2.

8.4. Navodila za savnanje

- Pred savnanjem se umijte.
- V savni sedite toliko časa, kolikor se počutite udobno.
- Upočasnite svoj um in se sprostite.
- Bonton savnanja vključuje upoštevanje drugih uporabnikov savne, zato jih ne motite z glasnim pogovorom.
- Ne odženite drugih s klopi s pretiranim zlivanjem vode.
- Ohladite kožo. Če ste zdravi, lahko med ohlajanjem uživajte v plavanju.
- Po zaključku savnanja se umijte.
- Počivajte in počakajte, da se umirite. Privoščite si osvežilno pijačo, da obnovite ravnovesje tekočin.

9. REDNO VZDRŽEVANJE



Vsa vzdrževalna dela, za katera je potrebno posebno znanje, mora izvajati usposobljen strokovnjak.

9.1. Kamni grelca za savno

- Zaradi intenzivnih toplotnih ciklov se kakovost kamnov v grelcu za savno med uporabo postopoma zmanjšuje, ti pa se pričnejo krušiti. Kamne zamenjajte vsaj enkrat letno ali pogosteje, če savno uporabljate zelo pogosto.
- Hkrati odstranite morebitne nakopičene kamnite ostanke in zamenjajte vse polomljene kamne. S tem boste zagotovili, da se parne lastnosti grelca za savno ohranijo, in preprečili pregrevanje.
- Občasno preverite, ali se je raven kamnov znižala. Pazite, da grelni elementi ne postanejo vidni. Raven kamnov se bo verjetno znižala v približno dveh mesecih po njihovi namestitvi.

9.2. Odpravljanje težav

Grelca za savno se ne segreje

- Preverite, ali so varovalke grelca za savno v električni plošči brezhibne.
- Preverite, ali je priključni kabel grelca za savno priključen.
- Preverite, da se ni sprožila zaščita pred pregrevanjem (glejte navodila za namestitev krmilne enote).

Savna se segreva počasi. Voda, zlita na grelec za savno, hitro ohladi kamne

- Preverite, ali so varovalke grelca za savno v električni plošči brezhibne.
- Preverite, ali vsi grelni elementi žarijo, ko je grelec za savno vklopljen.
- Nastavite višjo temperaturo (glejte navodila za namestitev krmilne enote).
- Preverite, da moč grelca za savno ni prenizka.
- Preverite, ali je prezračevanje v savni pravilno urejeno.

Savna se segreje hitro, kamni pa ne. Voda, zlita na grelec za savno, ne izhlapeva, ampak steče skozi prostor za kamne

- Preverite, da moč grelca za savno ni previsoka.
- Preverite, ali je prezračevanje v savni pravilno urejeno.

Plošče ali drugi materiali v bližini grelca za savno hitro potemnjijo

- Prepričajte se, da so izpolnjene zahteve glede varnostne razdalje.
- Prepričajte se, da grelni elementi pod kamni niso vidni. Če so vidni, ponovno zložite kamne in se prepričajte, da so grelni elementi popolnoma pokriti.
- Glejte tudi točko (7.3. Potemnitev sten savne).

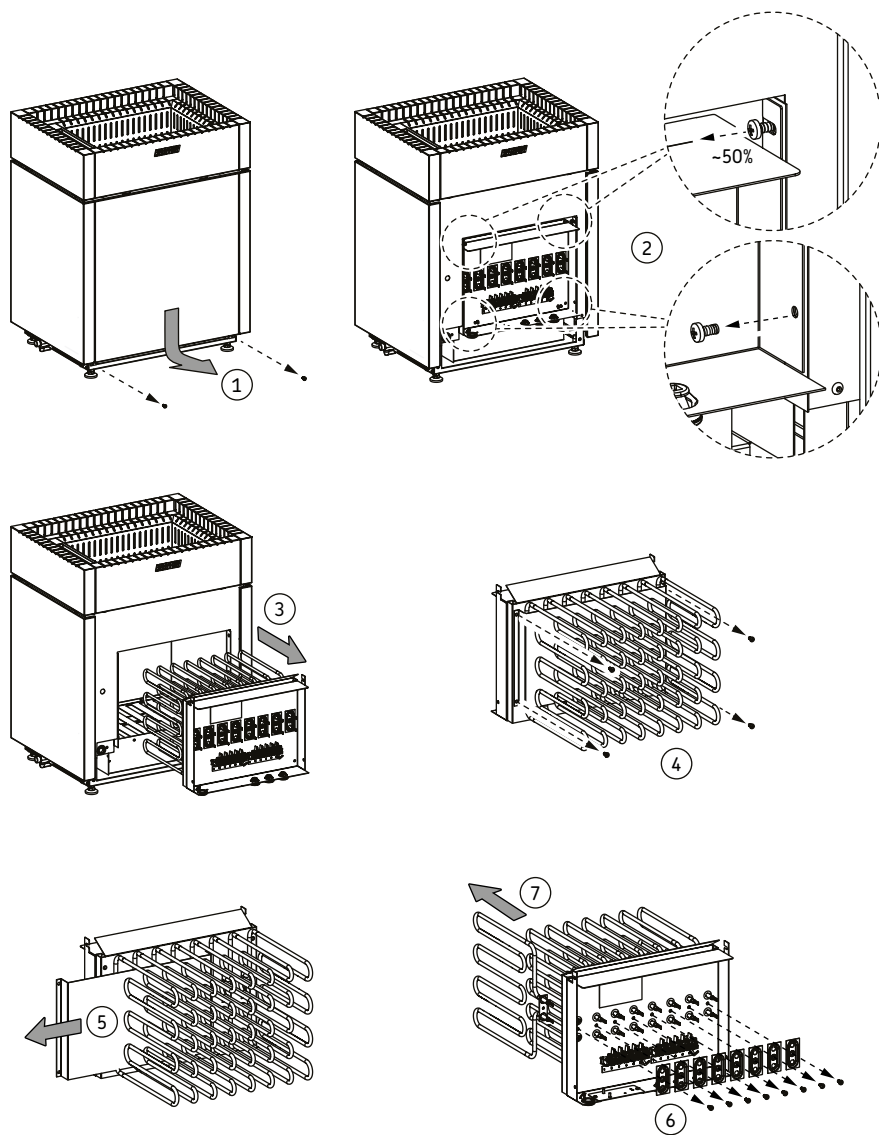
Grelca za savno oddaja neprijeten vonj

- Glejte točko (8.1. Uporaba grelca za savne).
- Vroč grelec za savno lahko okrepi vonjave v zraku, vendar savna ali grelec sama ne oddajata vonjav. Primeri: barve, lepila, kurilno olje in začimbe.

Grelca za savno povzroča hrup

- Občasni zvoki so običajno posledica na vročini pokajočih kamnov.
- Med segrevanjem grelca za savno lahko toplotno raztezanje njegovih sestavnih delov povzroči hrup.

9.3. Menjava grelnih elementov



Slika 11. Menjava grelnih elementov

10. REZERVNI DELI

spareparts.harvia.com



11. GARANCIJSKI POGOJI

www.harvia.com



Harvia Qube

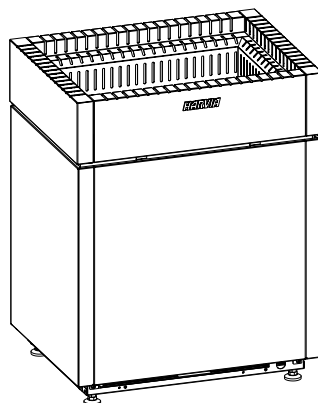
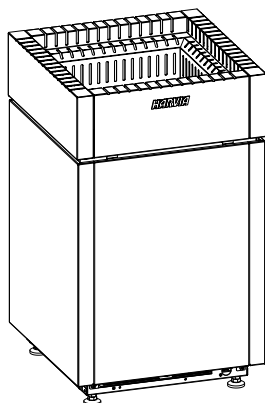
Calentador eléctrico para sauna
Instrucciones de instalación y uso

HARVIA

Sauna & Spa

Let's sauna.

N.º de artículo	Tipo	Potencia
HQU904M	QU90E	9 kW
HQU1054M	QU105E	10,5 kW
HQU1204M	QU120E	12 kW
HQU1504M	QU150E	15 kW



ES

¡Enhorabuena por haber elegido este excelente calentador para sauna!

Su calentador para sauna Harvia funcionará mejor y le servirá durante mucho tiempo si se utiliza y mantiene como se describe en este manual. Lea las instrucciones antes de instalar o utilizar el calentador para sauna. Conserve la guía para futuras consultas. También puede encontrar instrucciones de instalación y funcionamiento en nuestro sitio web: www.harvia.com.

Índice

1. ADVERTENCIAS Y NOTAS	3
2. ANTES DE LA INSTALACIÓN	7
3. CONTENIDO DE LA ENTREGA.....	8
4. EJEMPLO DE UN PAQUETE DE INSTALACIÓN	8
5. INFORMACIÓN TÉCNICA	9
6. INSTRUCCIONES DE INSTALACIÓN	11
6.1. Distancias de seguridad	11
6.2. Instalación del calentador para sauna	12
6.3. Instalación del centro de control y de los sensores	13
6.4. Conexiones eléctricas	14
6.5. Resistencia de aislamiento del calentador eléctrico para sauna.....	16
6.6. Colocación de las piedras de la sauna	17
7. LA SAUNA	18
7.1. Estructura de la sauna	18
7.2. Potencia del calentador.....	19
7.3. Ennegrecimiento de las paredes de la sauna.....	19
7.4. Ventilación de la sala de vapor.....	19
7.5. Higiene de la sala de vapor	20
8. INSTRUCCIONES DE USO	20
8.1. Uso del calentador para sauna	20
8.2. Cómo verter el agua.....	21
8.3. Requisitos de calidad del agua.....	21
8.4. Instrucciones de uso	21
9. CONSERVACIÓN Y MANTENIMIENTO PERIÓDICOS.....	22
9.1. Piedras del calentador para sauna.....	22
9.2. Solución de problemas.....	22
9.3. Sustitución de los elementos calefactores	23
10. PIEZAS DE REPUESTO	24
11. GARANTÍA	24

1. ADVERTENCIAS Y NOTAS



Lea atentamente las advertencias e instrucciones antes de utilizar el dispositivo.



¡ADVERTENCIA! La inobservancia de esta advertencia puede provocar lesiones graves e incluso la muerte.



¡PRECAUCIÓN! La inobservancia de esta advertencia puede provocar lesiones leves o graves.



¡No cubrir!

Instalación

- El calentador para sauna está diseñado para calentar el recinto de la sauna a la temperatura necesaria. Queda prohibida su utilización para cualquier otro fin. El centro de control está diseñado para controlar el calentador para sauna y las funciones de la sauna previstas para el centro de control. Queda prohibida su utilización para cualquier otro fin.
- El aparato solo lo puede conectar a la red eléctrica un electricista cualificado y de acuerdo con la normativa vigente. La persona responsable de la instalación del aparato debe proporcionar al usuario las instrucciones de instalación y funcionamiento suministradas con el mismo, así como la formación necesaria, antes de encomendarle los trabajos de instalación.
- Desconecte siempre el aparato de la red eléctrica antes de realizar cualquier tarea de mantenimiento.
- Antes de la instalación y puesta en marcha, compruebe que el aparato no presente daños visibles. No utilice un dispositivo dañado.
- Respete siempre los valores indicados en las instrucciones de uso del aparato. De lo contrario, podría haber riesgo de incendio.
- A menos que se indique lo contrario en las instrucciones, solo se puede instalar un calentador eléctrico en la sauna.
- El dispositivo se debe instalar de manera que los mensajes de advertencia se puedan leer fácilmente después de la instalación.
- A menos que se indique lo contrario en las instrucciones de uso, el calentador para sauna o dispositivo no se debe instalar en un hueco en la pared.
- Si se instala una barandilla alrededor del calentador para sauna, deberán respetarse las distancias de seguridad indicadas en las instrucciones de uso del calentador.

- Si desea instalar accesorios para el dispositivo, siga siempre las instrucciones de cada accesorio específico a la hora de instalarlos o utilizarlos.
- Garantice una ventilación adecuada en el recinto de la sauna (el aire debe renovarse seis veces cada hora).
- No coloque el conducto de ventilación de forma que el flujo de aire enfríe el sensor térmico (consulte las instrucciones de instalación del sensor térmico).
- Si el cable de alimentación está dañado, el fabricante, el encargado del mantenimiento u otra persona cualificada deberá cambiarlo para evitar riesgos.
- Debido a su fragilidad térmica, está prohibido el uso de cables con aislamiento de PVC como cables de conexión del calentador para sauna.
- Compruebe siempre el estado de los conectores de la caja de terminales de la sauna cuando instale el calentador para sauna. Recomendamos conectores de tornillo. Evite los conectores con resorte.
- No conecte la alimentación eléctrica al calentador eléctrico a través de un disyuntor de corriente residual.
- Si el aparato se utiliza en una sauna pública sin temporizador, la luz indicadora de potencia se deberá colocar en la sala desde la que se utiliza el aparato.
- Utilice siempre guantes de protección durante la instalación y el mantenimiento, así como cuando añada piedras de la sauna.
- Cubra completamente los elementos calefactores con piedras. ¡Un elemento calefactor incandescente al descubierto puede provocar riesgo de incendio!
- No coloque ningún objeto o dispositivo en o cerca del espacio para las piedras del calentador para sauna que pueda cambiar la cantidad o la dirección del flujo de aire a través del calentador.

Uso y funcionamiento

- Este aparato puede ser utilizado por niños a partir de 8 años y por personas con capacidades físicas, sensoriales o mentales reducidas o con falta de experiencia y conocimientos, siempre que sean supervisadas o instruidas en el uso seguro del aparato y comprendan los riesgos que conlleva.
- Los niños no pueden jugar con el aparato. Los niños no deben limpiar el aparato ni realizar ninguna operación de mantenimiento en él sin supervisión.
- Extreme las medidas de precaución con el calentador para sauna cuando esté caliente. Las piedras y las partes metálicas del calentador para sauna están lo bastante calientes como para quemar la

piel.

- Compruebe siempre que no haya objetos sobre o cerca del calentador para sauna antes de encenderlo.
- Asegúrese de que haya una ventilación adecuada las primeras veces que se caliente el calentador para sauna, ya que podría generar olores.
- No arroje ni vierta demasiada agua de una vez sobre el calentador para sauna, ya que podría provocar salpicaduras abrasadoras.
- No arroje agua sobre el calentador para sauna cuando haya alguien cerca.
- No utilice un cazo con una capacidad superior a 0,2 litros.
- No utilice otro tipo de agua que la especificada en las instrucciones del calentador para sauna.
- Si utiliza fragancias para sauna en el agua, utilice únicamente fragancias para agua de sauna y siga sus instrucciones de uso.
- El tiempo prolongado en una sauna caliente aumenta la temperatura corporal, lo que puede ser peligroso.
- Mantenga a los niños alejados del calentador para sauna.
- No deje solos en la sauna a niños, personas con movilidad reducida, enfermos o personas con cualquier otra dolencia.
- Consulte con un médico si tiene alguna restricción de salud relacionada con el uso de la sauna.
- Tenga cuidado al moverse en la sauna, ya que las superficies de los bancos o del suelo pueden estar resbaladizas.
- No entre en una sauna caliente si se encuentra bajo los efectos del alcohol, medicamentos, estupefacientes o cualquier otra sustancia tóxica.
- No se duerma en una sauna caliente.
- El clima marino y otros climas húmedos pueden corroer las superficies metálicas del calentador para sauna.
- Debido al riesgo de incendio, no utilice la sauna para tender la ropa. La elevada humedad también puede dañar los aparatos eléctricos.
- Hasta que no se haya determinado la causa de la desconexión, no reinicie el seguro de recalentamiento pulsando el botón de reinicio. El seguro de recalentamiento solo lo debe reiniciar un técnico cualificado, a menos que se indique lo contrario en las instrucciones.
- Una vez transcurrido el tiempo de funcionamiento, compruebe que el calentador para sauna se ha apagado definitivamente y ha dejado de calentar.
- Las astillas de piedra caliente que caen del calentador para sauna pueden dañar los revestimientos del suelo y provocar riesgo de incendio.

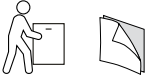
- En las saunas públicas en las que el calentador para sauna se utiliza sin temporizador o de forma continua durante periodos más largos de lo que permite el temporizador ajustado de fábrica en el calentador para sauna o en el centro de control, el dispositivo debe estar vigilado en todo momento.
- Antes de volver a encender el calentador para sauna o de encenderlo a distancia, se debe inspeccionar siempre el recinto de la sauna y la zona que lo rodea.
- El recinto de la sauna y el entorno del calentador para sauna se deben inspeccionar siempre antes de poner el aparato en modo espera para control remoto o funcionamiento preprogramado.
- Con arreglo a la norma de producto IEC/EN 60335-2-53 para calentadores para sauna con calentamiento eléctrico, los centros de control con función de arranque a distancia pueden utilizarse para controlar y regular el calentador para sauna cuando se instala un mecanismo de desconexión de seguridad adecuado (interruptor de puerta o de seguridad) en el calentador para sauna o en la puerta de la sauna.

Mantenimiento

- Todas las operaciones de mantenimiento que requieran conocimientos especiales las deberá realizar un profesional cualificado.
- Limpie el calentador para sauna de vez en cuando con un paño húmedo para eliminar el polvo y la suciedad. Utilice detergentes suaves en caso necesario. No utilice agua corriente para la limpieza.
- Antes de la limpieza, asegúrese de que el dispositivo se haya enfriado del todo.
- Al menos una vez al año, recoloque las piedras o sustituya las que se hayan roto.

2. ANTES DE LA INSTALACIÓN

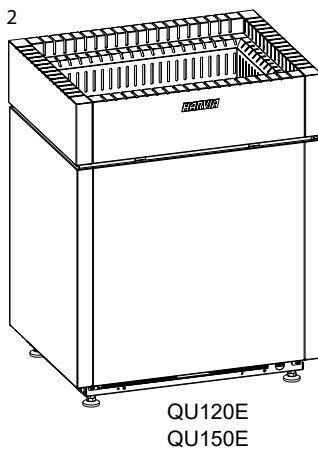
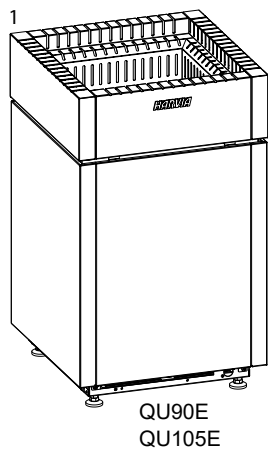
- **El calentador para sauna debe transportarse siempre en posición vertical.**
- **El calentador para sauna se puede levantar y desplazar sujetándolo por el revestimiento exterior.**
- **Retire la película protectora del calentador para sauna antes de utilizarlo.**



Lista de comprobación para la instalación del calentador para sauna

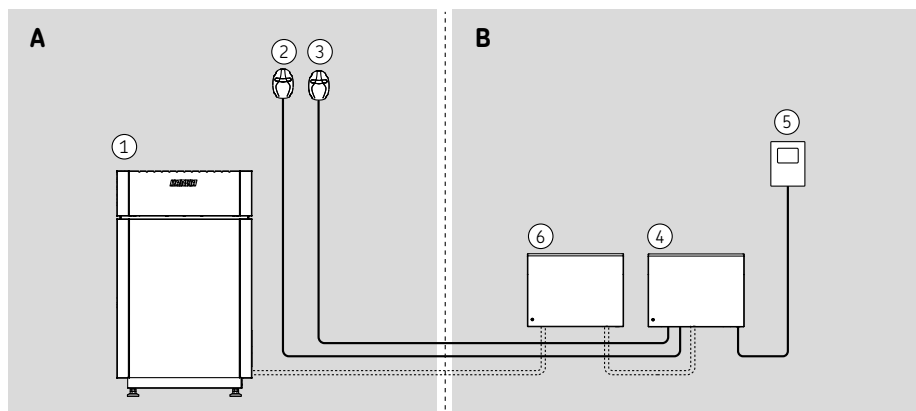
- Compruebe que el calentador esté intacto. No utilice un calentador para sauna defectuoso. Notifique al proveedor cualquier daño sufrido durante el transporte.
- El calentador para sauna es adecuado en cuanto a potencia y tipo para el recinto de la sauna correspondiente. Los valores de volumen de la sauna no se deben superar ni ser inferiores a (5. Información técnica) (7.2. Potencia del calentador)
- La tensión de alimentación debe ser la adecuada para el calentador para sauna.
- El lugar de instalación del calentador para sauna debe respetar las distancias mínimas de seguridad (6.1. Distancias de seguridad)
- La ubicación del sensor de temperatura/seguro de recalentamiento es específica para cada calentador para sauna. Asegúrese de que el sensor esté instalado de acuerdo con las instrucciones.
- Asegúrese de que las piedras del calentador para sauna estén colocadas de acuerdo con las instrucciones.
- Si se van a instalar accesorios, siga las instrucciones específicas del producto en cuestión para su instalación y uso.
- Asegúrese de que el centro de control sea compatible con el calentador para sauna. Puede comprobar la compatibilidad de los últimos modelos de centro de control en Harvia.com
- Conserve este manual para futuras consultas.

3. CONTENIDO DE LA ENTREGA



- | |
|---------------------------------------|
| 1. Calentador para sauna |
| 2. Instrucciones de instalación y uso |

4. EJEMPLO DE UN PAQUETE DE INSTALACIÓN



A. Recinto de la sauna

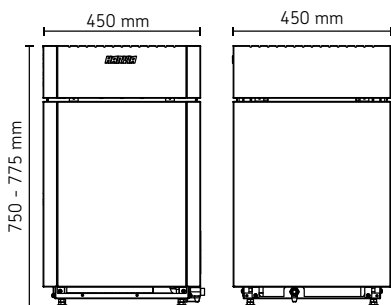
- | |
|--------------------------|
| 1. Calentador para sauna |
| 2. Sensor de temperatura |
| 3. Sensor de banco |

B. Espacio seco

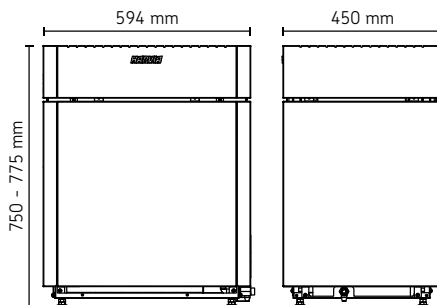
- | |
|---|
| 4. Centro de control |
| 5. Panel de mando |
| 6. Extensión de potencia (opcional, debe utilizarse si hay 2 grupos o más de 11 kW) |

5. INFORMACIÓN TÉCNICA

QU90E, QU105E



QU120E, QU150E






DATOS DE INSTALACIÓN				
	QU90E	QU105E	QU120E	QU150E
Potencia (kW) del calentador para sauna	9	10.5	12	15
Tensiones de funcionamiento	400 V 3N- 230 V 1N-	400 V 3N- 230 V 1N-	400 V 3N-	400 V 3N-
Grupos de potencia	1 grupo	1 grupo	2 grupos	2 grupos
Frecuencia (Hz)	50 / 60	50 / 60	50 / 60	50 / 60
Cable de alimentación	5 x 2.5 mm ²	5 x 2.5 mm ²	5 x 2.5 mm ²	5 x 2.5 mm ²
Tipo de cable de conexión	H07RN-F o. equivalente	H07RN-F o. equivalente	H07RN-F o. equivalente	H07RN-F o. equivalente
Grado de protección	IPX4	IPX4	IPX4	IPX4
Temperatura de almacenamiento	0-50°C	0-50°C	0-50°C	0-50°C
PIEDRAS				
	QU90E	QU105E	QU120E	QU150E
Tamaño de las piedras (cm)	Ø 5-10	Ø 5-10	Ø 5-10	Ø 5-10
Cantidad de piedras (kg)	25	25	40	40
DIMENSIONES				
	QU90E	QU105E	QU120E	QU150E
Altura (mm)	750 - 775	750 - 775	750 - 775	750 - 775
Ancho (mm)	450	450	594	594
Profundidad (mm)	450	450	450	450
Peso (kg)	34	34	40	40

RECINTO DE LA SAUNA				
	QU90E	QU105E	QU120E	QU150E
Volumen del recinto (m³)	9-14	10-15	14-18	18-25
Altura mínima de la sauna (mm)	1900	1900	1900	1900
ACCESORIOS APROBADOS				
	QU90E	QU105E	QU120E	QU150E
Barandilla	QUBE-L5 QUBE-W5	QUBE-L5 QUBE-W5	QUBE-L6 QUBE-W6	QUBE-L6 QUBE-W6
Dispositivos de seguridad SFE	SFE-500500	SFE-500500	SFE-500500	SFE-500500
CENTROS DE CONTROL COMPATIBLES				
	QU90E	QU105E	QU120E	QU150E
Consulte los últimos modelos de centros de control en nuestro sitio web harvia.com	FX110 CX110 C105VKK Pro B2 Pro C2 Pro D2 Pro D2i	FX110 CX110 C105VKK Pro B2 Pro C2 Pro D2 Pro D2i	FX170 CX170 C105VKK *) Pro B2 *) Pro C2 *) Pro D2 *) Pro D2i *)	FX170 CX170 C105VKK *) Pro B2 *) Pro C2 *) Pro D2 *) Pro D2i *)
EQUIPOS DE AMPLIFICACIÓN DE POTENCIA *)				
	QU90E	QU105E	QU120E	QU150E
Consulte los últimos modelos de equipos de amplificación de potencia en nuestro sitio web harvia.com	LTY17 0-S2-18 0-S2-18S	LTY17 0-S2-18 0-S2-18S	LTY17 0-S2-18 0-S2-18S	LTY17 0-S2-18 0-S2-18S
*) opcional, debe utilizarse si hay 2 grupos o más de 11 kW				

Tabla 1. Información técnica

6. INSTRUCCIONES DE INSTALACIÓN

-  Respete siempre los valores indicados en las instrucciones de uso del aparato. De lo contrario, podría haber riesgo de incendio.
-  A menos que se indique lo contrario en las instrucciones, solo se puede instalar un calentador eléctrico en la sauna.
-  El dispositivo se debe instalar de manera que los mensajes de advertencia se puedan leer fácilmente después de la instalación.

6.1. Distancias de seguridad

- Las distancias mínimas de protección respecto al material combustible se muestran en la figura (Figura 1. Distancias de seguridad).
- Si se instala una barandilla alrededor del calentador para sauna, deben respetarse las distancias de seguridad indicadas en la figura (Figura 1. Distancias de seguridad) o en las instrucciones de instalación de la barandilla.

(min. mm)

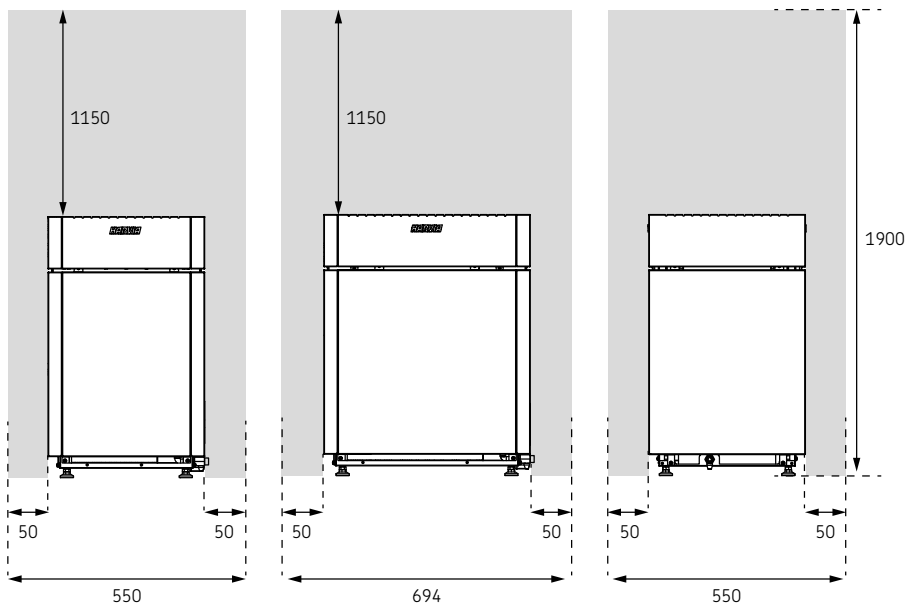


Figura 1. Distancias de seguridad

6.2. Instalación del calentador para sauna

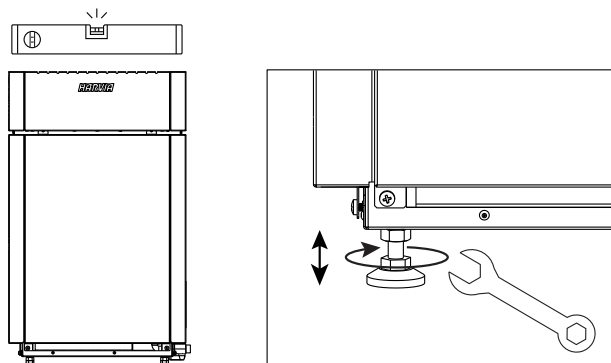


Abbildung 2. Instalación del calentador para sauna

6.3. Instalación del centro de control y de los sensores



No coloque el conducto de ventilación de forma que el flujo de aire enfríe el sensor térmico.

- El centro de control viene con instrucciones detalladas sobre cómo montarlo en la pared.
- Instale el sensor térmico como se muestra en la imagen. Si el calentador para sauna se instala a más de 150 mm de la pared, el sensor deberá instalarse en el techo.

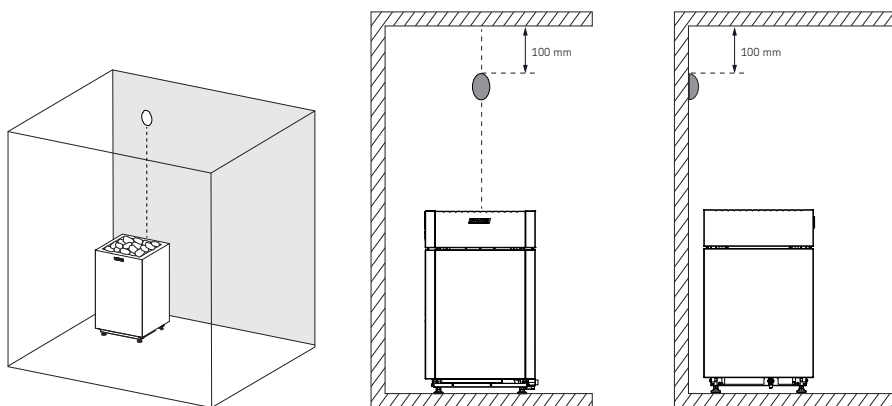


Figura 3a. Instalación del sensor térmico en la pared

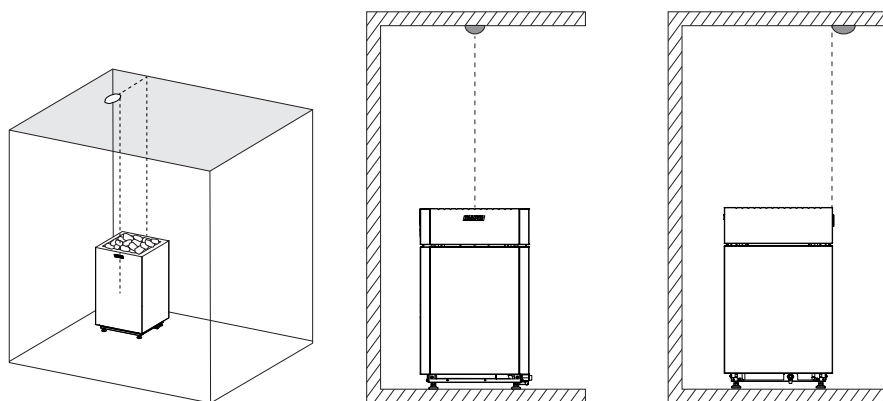


Figura 3b. Instalación del sensor térmico en el techo

6.4. Conexiones eléctricas



El calentador para sauna solo lo puede conectar a la red eléctrica un electricista cualificado y de acuerdo con la normativa vigente.

- El calentador para sauna se conecta de forma semifija a la caja de terminales de la pared de la sauna. La caja de terminales debe ser a prueba de salpicaduras y no debe estar a más de 500 mm del suelo.
- El cable de conexión debe ser del tipo de cable de goma H07RN-F o equivalente. NOTA: Debido a su fragilidad térmica, está prohibido el uso de cables con aislamiento de PVC como cables de conexión del calentador para sauna.
- Si los cables de conexión o instalación se colocan en la sauna o en el interior de las paredes de la sauna a una altura superior a 1000 mm por encima del suelo, deben poder soportar una temperatura de al menos 170 °C bajo carga (por ejemplo, cables con revestimiento de silicona). El equipo eléctrico instalado a más de 1000 mm por encima del suelo de la sauna debe estar homologado para su uso a una temperatura ambiente de 125 °C (marcado T125).

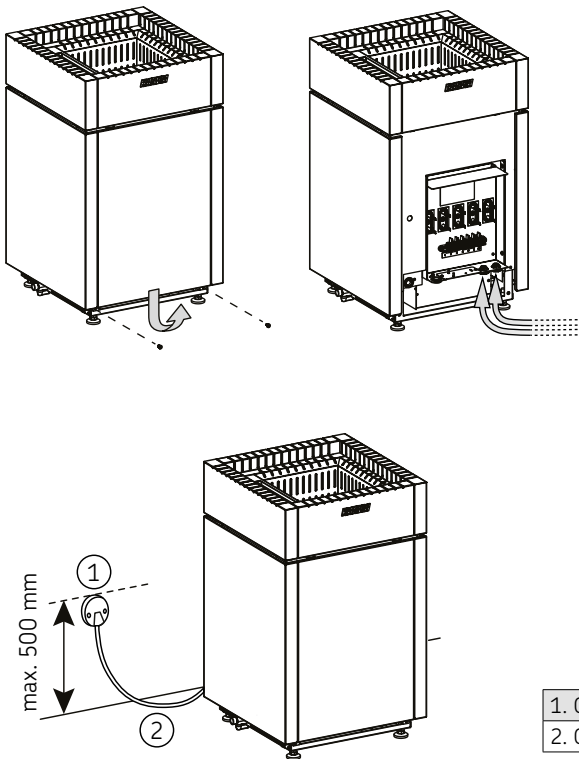


Figura 4. Conexiones eléctricas

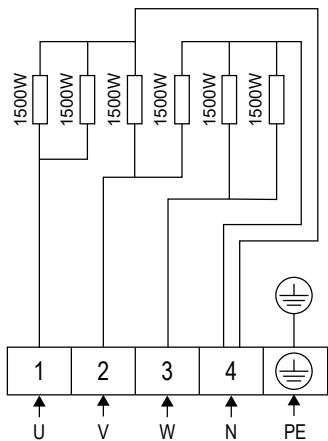


Figura 5. Esquema eléctrico QU90E

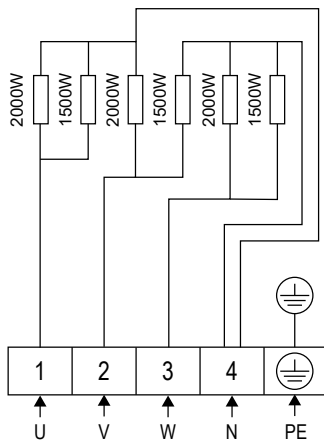
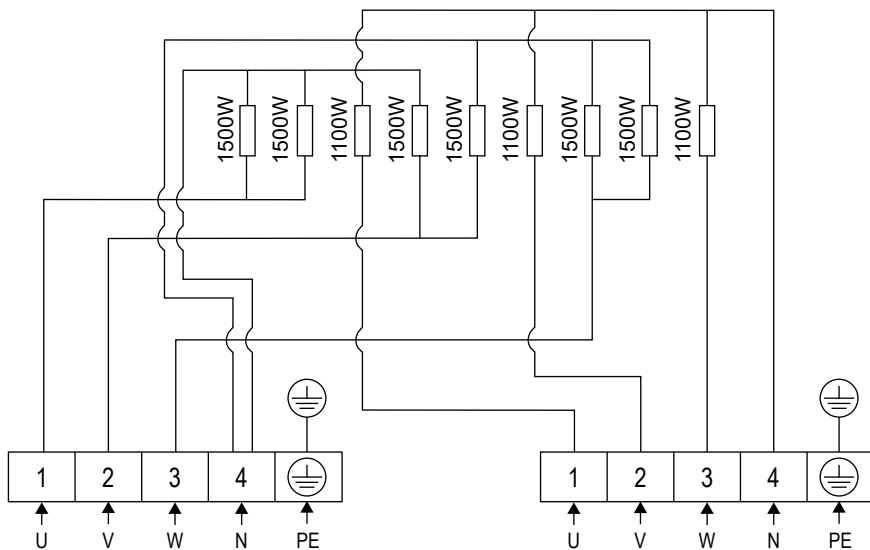


Figura 6. Esquema eléctrico QU105E



para amplificación de potencia
9 kW

para centro de control
3.3 kW

Figura 7. Esquema eléctrico QU120E

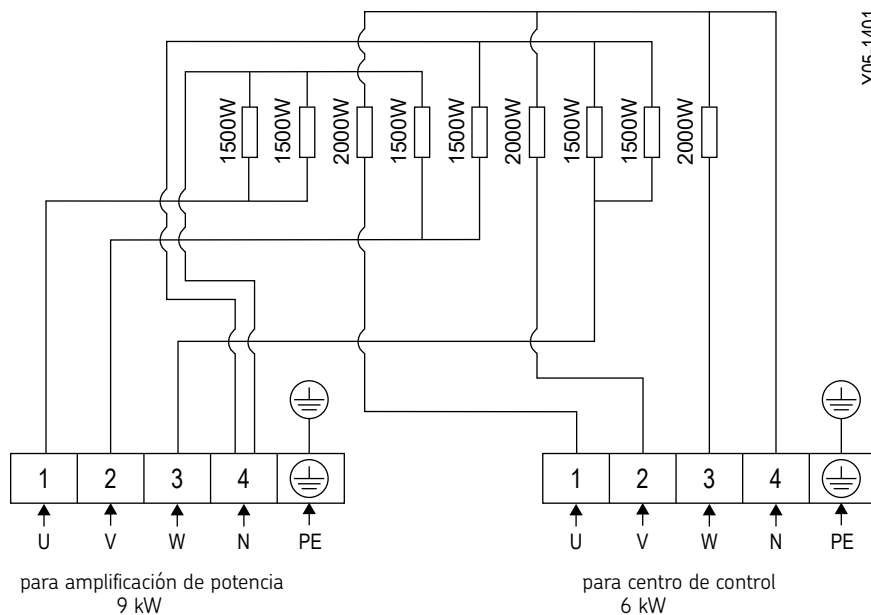


Figura 8. Esquema eléctrico QU150E

6.5. Resistencia de aislamiento del calentador eléctrico para sauna



No conecte la alimentación eléctrica al calentador eléctrico a través de un disyuntor de corriente residual.

En la inspección final de las instalaciones eléctricas, la medición de la resistencia del aislamiento del calentador para sauna puede mostrar "fugas" debidas a la humedad del aire absorbida (durante el almacenamiento/transporte) por el material aislante de los elementos calefactores. La humedad puede eliminarse de los elementos calefactores tras un par de ciclos de calentamiento.

6.6. Colocación de las piedras de la sauna



Las piedras del calentador para sauna son importantes para la seguridad del calentador. Para que la garantía siga siendo válida, el usuario es el responsable del mantenimiento adecuado del espacio de las piedras de acuerdo con las especificaciones e instrucciones.



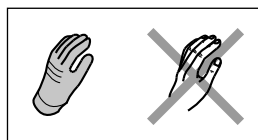
No coloque ningún objeto o dispositivo en el espacio de las piedras del calentador para sauna o en sus proximidades que pueda modificar la cantidad o la dirección del aire que circula por el calentador para sauna.



Si un elemento calefactor no está rodeado de piedras, puede calentar materiales peligrosamente, incluso más allá de las distancias de seguridad del calentador para sauna. Asegúrese de que los elementos calefactores no sean visibles detrás de las piedras. Como usuario, usted es responsable de garantizar que el espacio de las piedras sea el adecuado durante todo el ciclo de vida del calentador para sauna.

Información importante sobre las piedras adecuadas para la sauna:

- Los materiales adecuados para la sauna son la peridotita, la diabasa de olivino, el olivino y la vulcanita.
- Utilice únicamente piedras con superficie de hendidura y/o redondeadas para su calentador.
- Si los elementos calefactores de un calentador eléctrico para sauna están en contacto con las piedras, las piedras redondeadas solo se podrán usar en las capas exteriores del espacio de las piedras para que no entren en contacto con los elementos calefactores.
- Las piedras de cerámica y las piedras decorativas solo se pueden utilizar si han sido aprobadas por el fabricante y se utilizan de acuerdo con sus instrucciones.
- Tenga en cuenta que las piedras decorativas solo son adecuadas en la capa superior del espacio de las piedras. Las piedras decorativas deben colocarse sueltas para garantizar una circulación de aire suficiente. Coloque las piedras decorativas de modo que no toquen los elementos calefactores de un calentador eléctrico para sauna.
- La garantía no cubre los defectos que hayan sido causados por el uso de piedras decorativas o piedras de sauna no recomendadas por el fabricante.
- Limpie el polvo de las piedras antes de colocarlas en el calentador.



	QU90E	QU120E,
	QU105E	QU150E
	Ø 5-10 cm	Ø 5-10 cm
	25 kg	40 kg

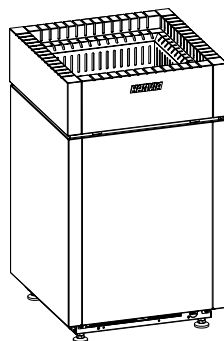
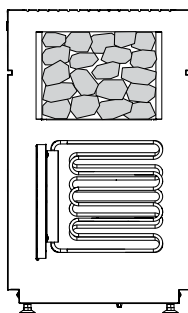


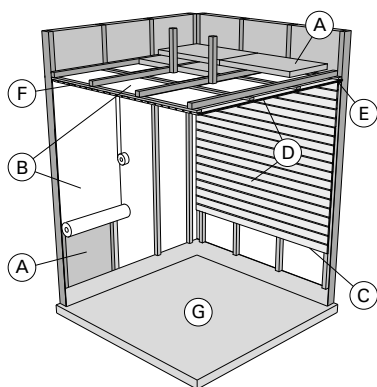
Figura 9. Colocación de las piedras de la sauna

Al colocar las piedras, observe lo siguiente:

- Comience con las piedras más grandes, colocándolas en la parte inferior y en los laterales. Esto garantiza una ventilación suficiente y forma una base estable para el espacio de las piedras.
- Coloque las piedras una a una. No las deje caer en el espacio de las piedras.
- No apile muchas piedras sobre el calentador. Las piedras pueden alcanzar el nivel de los conductos de aire del calentador. Una cantidad excesiva de piedras reduce la ventilación y debilita las propiedades del calentador.
- Recomendamos que guarde algunas piedras de más para reemplazar las rotas o para añadir alguna si el nivel de las piedras disminuye con el tiempo.

7. LA SAUNA

7.1. Estructura de la sauna



- A. Lana aislante de 50–100 mm de grosor. La sauna deberá estar cuidadosamente aislada para que la potencia calorífica se mantenga en un nivel bajo.
- B. Protección contra humedad, p.ej., papel del aluminio. Coloque el lado brillante del papel hacia la sauna. Coloque cinta de aluminio en las juntas.
- C. Espacio de ventilación de unos 10 mm entre la protección contra humedad y el panel (recomendación).
- D. Tabla del panel de 12–16 mm de grosor y baja densidad. Antes de iniciar el montaje de los paneles, compruebe la instalación eléctrica y los refuerzos de las paredes requeridos por el calentador y los bancos.
- E. Espacio de ventilación de unos 3 mm entre la pared y el panel del techo.
- F. La altura de la sauna oscila entre 2.100–2.300 mm. La altura mínima dependerá del calentador (> Datos técnicos). El espacio entre el banco superior y el techo no deberá exceder los 1.200 mm.
- G. Use cubiertas de suelo de material cerámico y lechada de unión oscura. Las delicadas cubiertas del suelo podrían mancharse o estropearse debido a las partículas que se desintegran de las piedras y a las impurezas del agua.

NOTA: consulte a las autoridades contra incendios qué partes de la pared cortafuegos se pueden aislar. No se deberán aislar los tiros usados.

NOTA: las cubiertas protectoras de la luz que se montan directamente en la pared o en el techo podrían ser un peligro de incendio.

NOTA: Asegúrese de que el agua que gotea sobre el suelo de la sauna entra en el desagüe del suelo.

7.2. Potencia del calentador

Cuando las paredes y el techo están cubiertos de paneles y el aislamiento tras los paneles es adecuado, la potencia del calentador se debe definir según el volumen de la sauna. Las paredes que no están aisladas (ladrillos, bloques de vidrio, vidrio, hormigón, azulejos, etc.) requieren una mayor potencia calorífica. Añada 1,2 m³ al volumen de la sauna por cada metro cuadrado de pared sin aislamiento. Por ejemplo, los requisitos de potencia de una sauna de 10 m³ con puerta de vidrio equivalen a los de una sauna de 12 m³. Si la sauna cuenta con paredes de troncos, multiplique por 1,5 el volumen de la sauna. (5. Información técnica)

7.3. Ennegrecimiento de las paredes de la sauna

Es totalmente normal que con el paso del tiempo se oscurezcan las superficies de madera de la sauna. El proceso de ennegrecimiento podría ser acelerado debido a

- la luz solar
- el calor emitido por el calentador
- los agentes protectores de las paredes (los agentes protectores cuentan con un bajo nivel de resistencia al calor)
- Las pequeñas partículas que se desintegran de las piedras de la sauna y que se elevan con el flujo del aire.

7.4. Ventilación de la sala de vapor



El sensor de temperatura siempre debe instalarse en el lugar especificado. Si no se respeta la distancia mínima desde la salida de suministro de aire, se deberá modificar la ventilación.



No coloque el paso de aire de admisión de forma que el flujo de aire enfríe el sensor de temperatura

- El aire de la sauna debe cambiarse seis veces por hora.
- **Ventilación mecánica:** La salida de aire de impulsión debe ubicarse en la parte superior de la sauna para que no interfiera en el funcionamiento del sensor de temperatura. (Figura 9. Distancia mínima entre la salida de suministro de aire y el sensor de temperatura.)
- **Ventilación a presión:** La salida de suministro de aire debe instalarse debajo o junto al calentador de sauna. El diámetro de la salida de suministro de aire debe ser de entre 50 mm y 100 mm.
- Paso de aire de escape. Coloque el paso de aire de escape cerca del suelo, lo más alejado posible del calentador. El diámetro del tubo de aire de escape debe ser dos veces el del tubo de aire de admisión.
- Ventilación opcional para el secado (cerrada durante el calentamiento y baño). La sauna se puede secar también dejando la puerta abierta después del baño.
- Si el paso de aire de escape está dentro del servicio, el hueco existente debajo del suelo de la sauna deberá tener al menos 100 mm. Es obligatoria la ventilación mecánica por extracción.

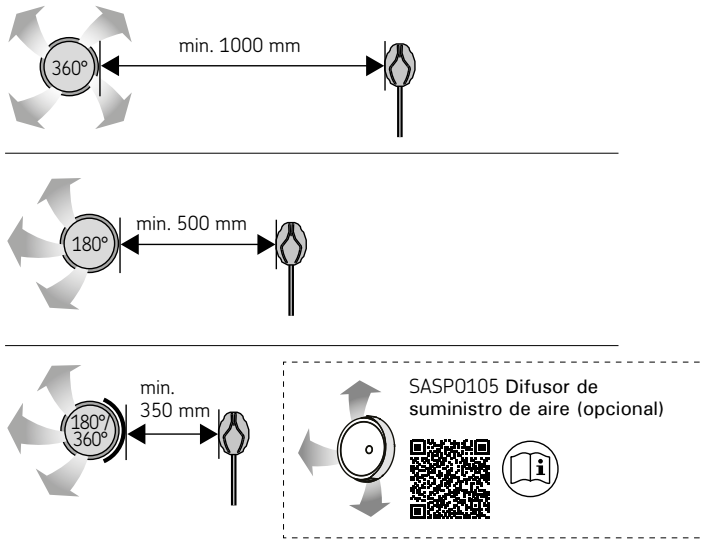


Figura 10. Distancia mínima entre la salida de suministro de aire y el sensor de temperatura.

7.5. Higiene de la sala de vapor

- Durante el baño deberían usarse toallas para los asientos para evitar que el sudor caiga sobre los bancos.
- Los bancos, las paredes y el suelo de la sauna se deben lavar a fondo al menos cada seis meses. Utilice un cepillo para fregar y un detergente para saunas.
- Limpie el polvo y las suciedad del calentador con un paño húmedo. Retire los restos de cal del calentador con ayuda de una solución de ácido cítrico al 10% y aclare.

8. INSTRUCCIONES DE USO

8.1. Uso del calentador para sauna



Compruebe siempre que no haya objetos sobre o cerca del calentador para sauna antes de encenderlo.

- El calentador para sauna se controla a través de un centro de control independiente. Consulte las instrucciones de uso que acompañan al centro de control.
- El calentador para sauna y las piedras producen olores durante el primer uso. Para eliminarlos, es necesaria una buena ventilación en el recinto de la sauna.
- Si el calentador para sauna tiene la potencia adecuada para el recinto de la sauna, un recinto de la sauna correctamente aislado térmicamente se calienta hasta alcanzar la temperatura de funcionamiento en aproximadamente una hora. Las piedras del calentador para sauna suelen calentarse en el mismo tiempo que el recinto de la sauna.
- La temperatura adecuada en el recinto de la sauna es de unos 65-80 °C.

8.2. Cómo verter el agua



No utilice un cazo con una capacidad superior a 0,2 litros. Si se arroja o vierte demasiada agua de una vez sobre el calentador para sauna, puede salpicar a los usuarios al caer en el calentador.



Para evitar el riesgo de quemaduras, no arroje agua sobre el calentador para sauna cuando haya alguien cerca.

- El aire de la sauna se seca cuando esta se calienta. Por lo tanto, es necesario aumentar la humedad vertiendo agua sobre las piedras del calentador para sauna.
- Cada persona percibe los efectos del calor y la humedad a su modo, por lo que recomendamos que pruebe hasta encontrar la temperatura y la humedad idóneas para usted.
- Procure verter agua solo sobre las piedras del calentador para sauna.

8.3. Requisitos de calidad del agua

- El agua utilizada en la sauna debe cumplir los requisitos de calidad del agua corriente (Tabla 2.).
- Solo pueden utilizarse fragancias específicas para agua de sauna. Siga las instrucciones incluidas con la fragancia.

Propiedades del agua	Efectos	Recomendación
Impureza orgánica	Color, sabor, precipitados	<12 mg/l
Contenido en hierro	Color, olor, sabor, precipitados	<0,2 mg/l
Contenido en manganeso (Mn)	Color, olor, sabor, precipitados	<0,10 mg/l
Dureza del agua: los principales componentes son el calcio (Ca) y el magnesio (Mg)	Precipitados	Ca: <100 mg/l Mg: <100 mg/l
Agua clorada	Corrosión	Cl: <100 mg/l
Agua clorada	Riesgo para la salud	Uso prohibido
Agua de mar	Corrosión rápida	Uso prohibido
Concentraciones de arsénico y radón	Riesgo para la salud	Uso prohibido

Tabla 2.

8.4. Instrucciones de uso

- Comience su sesión de sauna tomando un baño o ducha.
- Siéntese en la sauna tanto tiempo como se sienta cómodo.
- Calme la mente y relájese.
- Entre las normas de buena educación en la sauna se incluye tener en cuenta a los demás usuarios no molestándolos con ruidos.
- No haga que los demás abandonen los bancos echando una cantidad excesiva de agua.
- Refresque su piel. Si goza de buena salud, puede disfrutar nadando mientras se refresca.
- Vuelva a tomar un baño o ducha para concluir la sesión de sauna.
- Descanse y cálmese. Disfrute de una bebida refrescante para restablecer el equilibrio de líquidos.

9. CONSERVACIÓN Y MANTENIMIENTO PERIÓDICOS



Todas las operaciones de mantenimiento que requieran conocimientos especiales las deberá realizar un profesional cualificado.

9.1. Piedras del calentador para sauna

- Debido a los intensos ciclos térmicos, las piedras del calentador para sauna se deteriorarán gradualmente y se irán resquebrajando durante el uso. Sustituya las piedras al menos una vez al año, o más a menudo si la sauna se utiliza con mucha frecuencia.
- Al hacerlo, retire los restos de piedra acumulados y sustituya las piedras que se vayan rompiendo. De este modo, se mantendrán las propiedades de vaporización del calentador para sauna y se evitará el riesgo de sobrecalentamiento.
- Revise de vez en cuando si el nivel de piedras ha disminuido. Asegúrese de que los elementos calefactores no se vuelvan visibles con el tiempo. Es probable que el nivel de las piedras baje en unos dos meses después de haberlas colocado.

9.2. Solución de problemas

El calentador para sauna no se calienta

- Compruebe que los fusibles del calentador para sauna del cuadro eléctrico estén intactos.
- Compruebe que el cable de conexión del calentador para sauna esté enchufado.
- Compruebe que no se haya disparado el seguro de recalentamiento (consulte las instrucciones de instalación del centro de control).

El recinto de la sauna se calienta lentamente. El agua vertida sobre el calentador para sauna enfría las piedras rápidamente.

- Compruebe que los fusibles del calentador para sauna del cuadro eléctrico estén intactos.
- Compruebe que todos los elementos calefactores estén encendidos cuando el calentador para sauna esté en marcha.
- Aumente la temperatura (consulte las instrucciones de instalación del centro de control).
- Compruebe que la potencia del calentador para sauna no sea demasiado baja.
- Compruebe que la ventilación del recinto de la sauna sea correcta.

El recinto de la sauna se calienta rápidamente, pero las piedras no tienen tiempo de calentarse. El agua vertida sobre el calentador para sauna no se evapora, sino que fluye por el espacio para las piedras

- Compruebe que la potencia del calentador para sauna no sea demasiado alta.
- Compruebe que la ventilación del recinto de la sauna sea correcta.

Los paneles u otros materiales cercanos al calentador para sauna se oscurecen rápidamente

- Asegúrese de que se cumplan los requisitos de distancia de seguridad.
- Asegúrese de que los elementos calefactores no sean visibles detrás de las piedras. Si son visibles, vuelva a apilar las piedras y asegúrese de que los elementos calefactores estén completamente cubiertos.
- Véase también el punto (7.3. Ennegrecimiento de las paredes de la sauna).

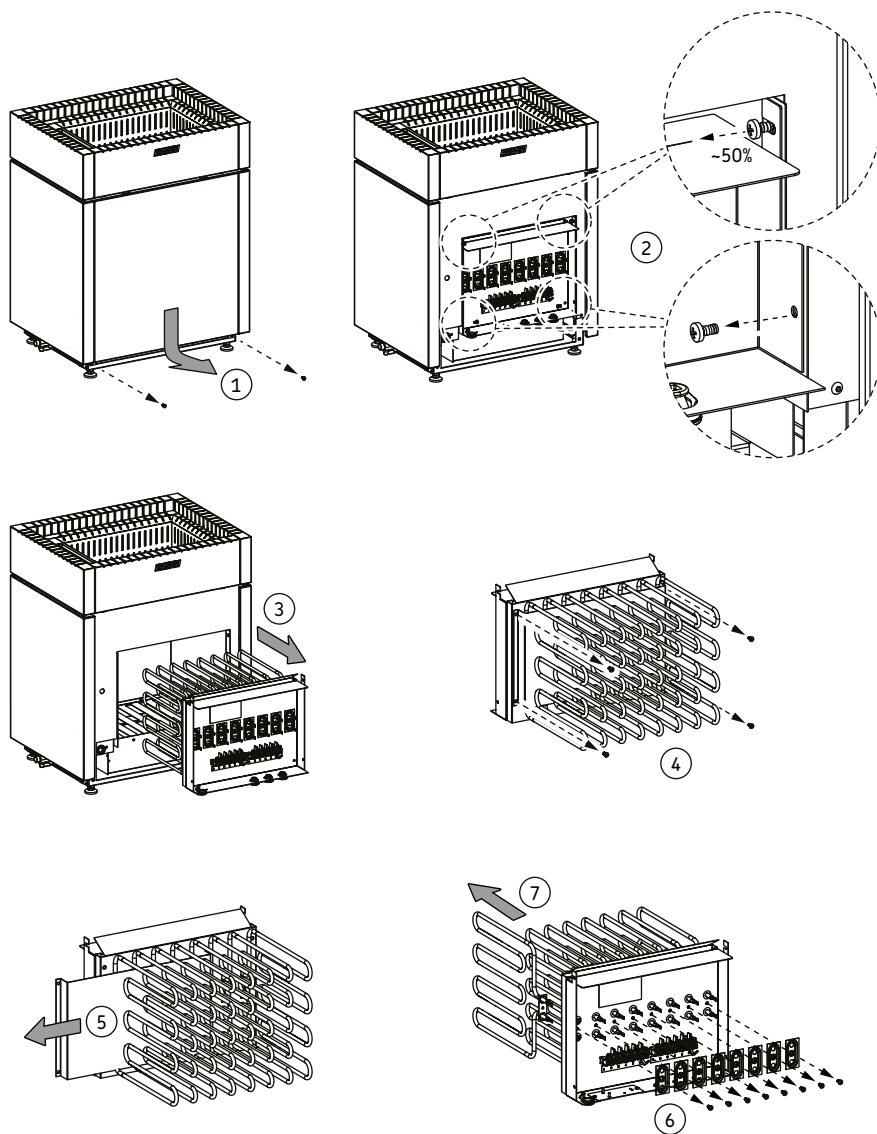
El calentador para sauna produce olor

- Ver punto (8.1. Uso del calentador para sauna)
- Un calentador para sauna calentado puede intensificar los olores mezclados en el aire, pero la sauna o el calentador no producen olores por sí mismos. Ejemplos: pinturas, pegamentos, gasóleo de calefacción y especias.

El calentador para sauna produce ruido

- Si las piedras se agrietan con el calor, suelen producir pequeños estallidos ocasionales.
- La dilatación térmica de las piezas del calentador para sauna puede provocar ruidos cuando este se calienta.

9.3. Sustitución de los elementos calefactores



ES

Figura 11. Sustitución de los elementos calefactores

10. PIEZAS DE REPUESTO

spareparts.harvia.com



11. GARANTÍA

www.harvia.com



Harvia Qube

Stufa elettrica per sauna

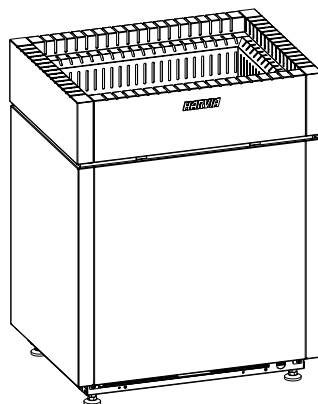
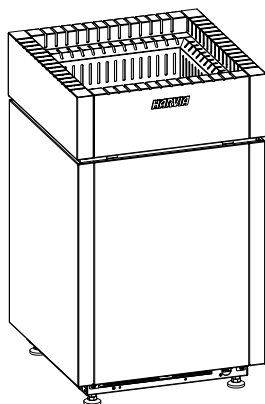
Istruzioni per l'installazione e l'uso

HARVIA

Sauna & Spa

Let's sauna.

N. articolo	Tipo	Potenza
HQU904M	QU90E	9 kW
HQU1054M	QU105E	10,5 kW
HQU1204M	QU120E	12 kW
HQU1504M	QU150E	15 kW



IT

Complimenti per l'ottima scelta di questa stufa per sauna!

Una stufa per sauna Harvia funziona al meglio e durerà a lungo se utilizzata e tenuta secondo le indicazioni di questo manuale. Leggere attentamente questo manuale prima di installare o utilizzare la stufa. Conservare questo manuale per consultarlo in futuro. Le istruzioni per l'installazione e il funzionamento sono disponibili anche sul nostro sito web www.harvia.com.

INDICE

1. AVVERTENZE E NOTE	3
2. PRIMA DELL'INSTALLAZIONE.....	7
3. CONTENUTO DELLA CONFEZIONE	8
4. ESEMPIO DI PACCHETTO DI INSTALLAZIONE	8
5. INFORMAZIONI TECNICHE.....	9
6. ISTRUZIONI PER L'INSTALLAZIONE.....	11
6.1. Distanza di sicurezza	11
6.2. Installazione della stufa per sauna	12
6.3. Installazione della centralina e dei sensori.....	13
6.4. Collegamenti elettrici	14
6.5. Resistenza di isolamento della stufa elettrica per sauna	16
6.6. Posizionamento delle pietre da sauna	17
7. LA STANZA DELLA SAUNA	18
7.1. Struttura della stanza della sauna.....	18
7.2. Potenza di uscita della stufa.....	18
7.3. Annerimento delle pareti della sauna	19
7.4. Ventilazione della stanza della sauna.....	19
7.5. Igiene della stanza della sauna	20
8. ISTRUZIONI PER L'USO.....	20
8.1. Utilizzo della stufa per sauna	20
8.2. Getto d'acqua	20
8.3. Requisiti di qualità dell'acqua	21
8.4. Istruzioni per l'utilizzo della sauna.....	21
9. MANUTENZIONE E CURA PERIODICA.....	22
9.1. Pietre da stufa per sauna	22
9.2. Risoluzione dei problemi	22
9.3. Sostituzione delle resistenze	23
10. PEZZI DI RICAMBIO	24
11. GARANZIA	24

1. AVVERTENZE E NOTE



Leggere attentamente le istruzioni prima di utilizzare il dispositivo.



ATTENZIONE! La mancata osservanza di questa avvertenza può causare gravi lesioni o morte.



ATTENZIONE! La mancata osservanza di questa avvertenza può causare lesioni lievi o gravi o morte.



Non coprire!

Installazione

- La stufa per sauna è progettata per riscaldare la stanza della sauna alla temperatura richiesta. È vietato l'uso per qualsiasi altro scopo. La centralina è progettata per controllare la stufa e le funzioni della sauna previste per la centralina. È vietato l'uso per qualsiasi altro scopo.
- L'apparecchio può essere collegato alla rete elettrica solo da un elettricista qualificato in conformità alle norme vigenti. La persona responsabile dell'installazione del dispositivo deve consegnare all'utente le istruzioni di installazione e d'uso allegate, nonché la formazione necessaria, prima di terminare il lavoro di installazione.
- Scollegare sempre il dispositivo dalla presa di corrente prima di effettuare interventi di manutenzione!
- Prima dell'installazione e della messa in funzione, verificare che il dispositivo non presenti danni visibili. Non utilizzare un dispositivo danneggiato.
- Rispettare sempre i valori indicati nelle istruzioni per l'uso del dispositivo. Se non si seguono queste istruzioni, c'è il rischio di incendio.
- Nella sauna può essere installata una sola stufa elettrica, salvo diversa indicazione nelle istruzioni.
- Il dispositivo deve essere installato in modo tale che i testi delle avvertenze siano facilmente leggibili dopo l'installazione.
- La stufa per sauna o il dispositivo non devono essere installati in una nicchia a parete, salvo diversa indicazione nelle istruzioni.
- Se attorno alla stufa per sauna viene installata una barriera di protezione, devono essere rispettate le distanze di sicurezza indicate nelle istruzioni d'uso della stufa.

- Se si desidera installare accessori per il dispositivo, seguire sempre le istruzioni specifiche di ciascun accessorio durante l'installazione e l'uso.
- Garantire una ventilazione adeguata nella stanza della sauna (l'aria dovrebbe essere cambiata sei volte all'ora).
- Non posizionare lo sfiatatoio di entrata dell'aria in modo che il flusso d'aria raffreddi il sensore di temperatura (fare riferimento alle istruzioni di installazione del sensore di calore).
- Se il cavo di alimentazione è danneggiato, deve essere sostituito dal produttore, da un tecnico dell'assistenza o da altro personale qualificato per prevenire eventuali rischi.
- L'uso di un cavo con isolamento in PVC come cavo di collegamento per la stufa per sauna è vietato a causa della sua scarsa resistenza termica.
- Controllare sempre le condizioni dei connettori della scatola di derivazione durante l'installazione della stufa. Consigliamo connettori a vite. Evitare connettori a molla!
- Non collegare l'alimentazione elettrica alla stufa tramite un interruttore differenziale.
- Se il dispositivo viene utilizzato in una sauna pubblica senza timer, la spia luminosa di alimentazione deve essere collocata nella stanza da cui viene utilizzato il dispositivo.
- Indossare sempre guanti protettivi durante l'installazione, la manutenzione e l'aggiunta di pietre da sauna.
- Coprire completamente le resistenze con le pietre; una resistenza scoperta e incandescente può rappresentare un rischio di incendio!
- Non posizionare oggetti o dispositivi dentro o vicino allo scomparto per le pietre della stufa per sauna che possano alterare la quantità o la direzione del flusso d'aria attraverso la stufa.

Utilizzo

- Questo dispositivo può essere utilizzato da bambini di età pari o superiore a 8 anni e da persone con capacità fisiche, sensoriali o mentali ridotte, o prive della necessaria esperienza e conoscenza, purché siano sorvegliate o istruite sull'uso sicuro del dispositivo e comprendano i rischi connessi.
- I bambini non devono giocare con il dispositivo. I bambini non devono pulire l'apparecchio né eseguire alcuna manutenzione sul dispositivo senza supervisione.
- Fare attenzione alla stufa per sauna quando è calda. Le pietre e le parti metalliche della stufa per sauna sono sufficientemente calde da provocare ustioni sulla pelle.
- Controllare sempre che non ci siano oggetti sopra o vicino alla stufa per sauna prima di accenderla.

- Garantire una ventilazione adeguata durante i primi utilizzi della stufa per sauna, poiché potrebbe emettere odore.
- Non gettare né versare troppa acqua sulla stufa per sauna in una sola volta, poiché potrebbe provocare schizzi ustionanti.
- Non gettare acqua sulla stufa per sauna quando c'è qualcuno nelle vicinanze.
- Non utilizzare un mestolo con una capacità superiore a 0,2 litri.
- Non utilizzare tipi di acqua diversi da quelli specificati nelle istruzioni della stufa per sauna.
- Se si utilizzano essenze per sauna nell'acqua, impiegare solo quelle specificamente indicate per l'uso in sauna e seguire le relative istruzioni.
- La permanenza prolungata in una sauna calda aumenta la temperatura corporea, il che può essere pericoloso.
- Tenere i bambini lontani dalla stufa per sauna.
- Non lasciare soli in sauna bambini, persone con mobilità ridotta, malati o individui debilitati.
- Consultare un medico in caso di eventuali restrizioni di salute relative all'uso della sauna.
- Fare attenzione quando ci si muove nella sauna, poiché le panche o le superfici del pavimento possono essere scivolose.
- Non entrare in una sauna calda se si è sotto l'effetto di alcol, farmaci, stupefacenti o altre sostanze intossicanti.
- Non dormire in una sauna riscaldata.
- Un clima marino o altri climi umidi possono corrodere le superfici metalliche della stufa per sauna.
- A causa del rischio di incendio, non utilizzare la sauna come stanza per asciugare il bucato. Anche i dispositivi elettrici possono subire danni a causa dell'elevata umidità.
- Non ripristinare la protezione termica di sicurezza senza aver prima individuato la causa della sua attivazione. La protezione termica di sicurezza deve essere ripristinata solo da un tecnico qualificato, salvo diversa indicazione nelle istruzioni.
- Al termine del tempo di funzionamento, verificare che la stufa per sauna si sia effettivamente spenta e abbia interrotto il riscaldamento.
- Eventuali schegge di pietre roventi che cadono dalla stufa per sauna possono danneggiare i rivestimenti del pavimento e rappresentare un rischio di incendio.
- Nelle saune pubbliche dove la stufa per sauna viene utilizzata senza timer o per periodi più lunghi di quelli consentiti dal timer preimpostato della stufa o della centralina, il dispositivo deve essere monitorato costantemente.

- La stanza della sauna e l'area intorno alla stufa per sauna devono essere sempre ispezionate prima di riaccendere la stufa o di accenderla da remoto.
- La stanza della sauna e l'ambiente circostante la stufa devono essere sempre ispezionati prima di impostare il dispositivo in modalità standby per il controllo da remoto o il funzionamento programmato.
- Secondo la norma di prodotto IEC/EN 60335-2-53 per le stufe per sauna riscaldate elettricamente, le centraline con funzione di avvio remoto possono essere utilizzate per controllare e regolare la stufa per sauna, a condizione che sia installato un adeguato meccanismo di sicurezza per lo spegnimento (interruttore di sicurezza o sensore sulla porta della sauna).

Manutenzione

- Tutte le operazioni di manutenzione che richiedono competenze specifiche devono essere eseguite da un professionista qualificato.
- Pulire di tanto in tanto la stufa con un panno umido per rimuovere polvere e sporco. Se necessario, utilizzare detergenti delicati. Non utilizzare acqua corrente per la pulizia.
- Prima di iniziare la pulizia, assicurarsi che il dispositivo si sia completamente raffreddato.
- Ridisporre le pietre o sostituire quelle rotte almeno una volta all'anno.

2. PRIMA DELL'INSTALLAZIONE

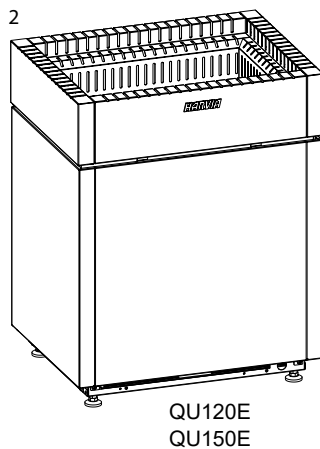
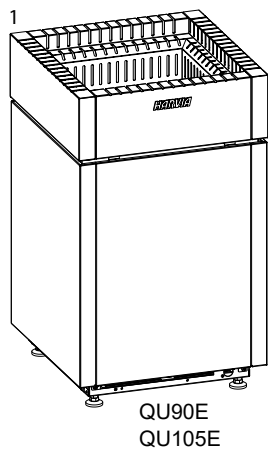
- **La stufa per sauna deve essere trasportata sempre e solo in posizione verticale.**
- **La stufa per sauna può essere sollevata e spostata reggendola dall'alloggiamento esterno.**
- **Rimuovere la pellicola protettiva dalla stufa per sauna prima dell'uso.**



Lista di controllo per l'installazione della stufa per sauna

- Verificare che la stufa sia integra. Non utilizzare una stufa per sauna difettosa. Segnalare eventuali danni da trasporto al fornitore.
- La stufa per sauna è adeguata in termini di potenza e tipologia per la stanza della sauna in questione. I valori del volume della sauna non devono essere né superiori né inferiori di oltre (5. Informazioni tecniche) (7.2. Potenza di uscita della stufa)
- L'alimentazione elettrica è compatibile con la stufa per sauna.
- Il luogo di installazione della stufa per sauna rispetta le distanze minime di sicurezza (6.1. Distanza di sicurezza)
- La posizione del sensore di temperatura/protezione termica di sicurezza è specifica per la stufa per sauna. Assicurarsi che il sensore sia installato secondo le istruzioni.
- Assicurarsi che le pietre della stufa per sauna siano posizionate secondo le istruzioni.
- Se devono essere installati accessori, seguire le istruzioni specifiche del prodotto per l'installazione e l'uso.
- Assicurarsi che la centralina sia compatibile con la stufa per sauna. È possibile verificare la compatibilità dei modelli più recenti di centralina su Harvia.com
- Conservare questo manuale per consultarlo in futuro.

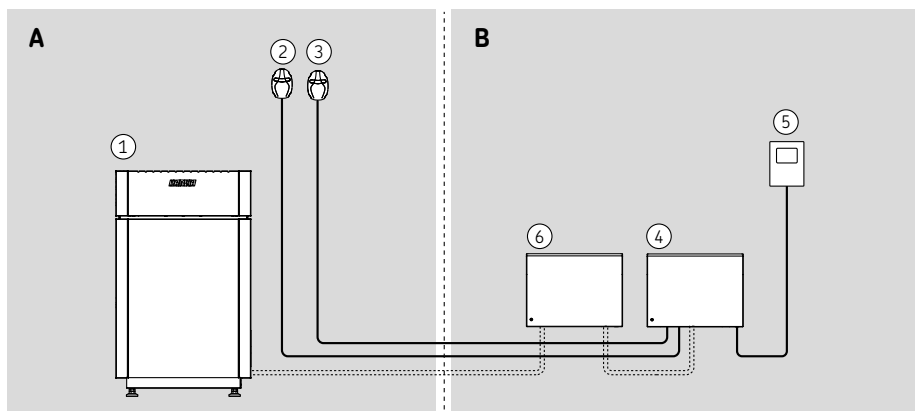
3. CONTENUTO DELLA CONFEZIONE



1. Stufa per sauna

2. Istruzioni per l'installazione e l'uso

4. ESEMPIO DI PACCHETTO DI INSTALLAZIONE

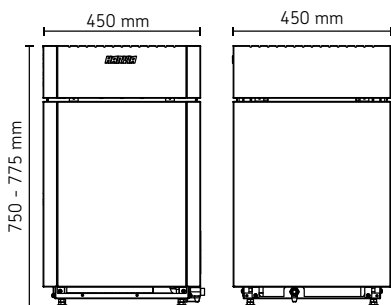


IT

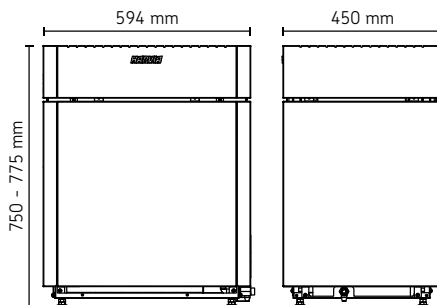
R. Stanza della sauna	B. Spazio asciutto
1. Stufa per sauna	4. Centralina
2. Sensore di temperatura	5. Pannello di controllo
3. Sensore di panca	6. estensione di potenza (opzionale, deve essere utilizzata se 2 gruppi o più di 11kW)

5. INFORMAZIONI TECNICHE

QU90E, QU105E



QU120E, QU150E



DATI DI INSTALLAZIONE				
	QU90E	QU105E	QU120E	QU150E
Potenza (kW) stufa per sauna	9	10.5	12	15
Tensioni di esercizio	400 V 3N- 230 V 1N-	400 V 3N- 230 V 1N-	400 V 3N-	400 V 3N-
Gruppi elettrici	1 gruppo	1 gruppo	2 gruppi	2 gruppi
Frequenza (Hz)	50 / 60	50 / 60	50 / 60	50 / 60
Cavo di alimentazione	5 x 2.5 mm ²	5 x 2.5 mm ²	5 x 2.5 mm ²	5 x 2.5 mm ²
Tipo di cavo di collegamento	H07RN-F o. equivalente	H07RN-F o. equivalente	H07RN-F o. equivalente	H07RN-F o. equivalente
Classe di protezione	IPX4	IPX4	IPX4	IPX4
Temperatura di conservazione	0-50°C	0-50°C	0-50°C	0-50°C
PIETRE DA SAUNA				
	QU90E	QU105E	QU120E	QU150E
Dimensioni delle pietre (cm)	Ø 5-10	Ø 5-10	Ø 5-10	Ø 5-10
Quantità di pietre (kg)	25	25	40	40
DIMENSIONI				
	QU90E	QU105E	QU120E	QU150E
Altezza (mm)	750 - 775	750 - 775	750 - 775	750 - 775
Larghezza (mm)	450	450	594	594
Profondità (mm)	450	450	450	450
Peso (kg)	34	34	40	40

STANZA DELLA SAUNA				
	QU90E	QU105E	QU120E	QU150E
Volume della stanza (m³)	9-14	10-15	14-18	18-25
Altezza minima della sauna (mm)	1900	1900	1900	1900
ACCESSORI APPROVATI				
	QU90E	QU105E	QU120E	QU150E
Barriera di protezione	QUBE-L5 QUBE-W5	QUBE-L5 QUBE-W5	QUBE-L6 QUBE-W6	QUBE-L6 QUBE-W6
Dispositivi di sicurezza SFE	SFE-500500	SFE-500500	SFE-500500	SFE-500500
CENTRALINE COMPATIBILI				
	QU90E	QU105E	QU120E	QU150E
È possibile verificare i modelli più recenti di centralina sul nostro sito web harvia.com	FX110 CX110 C105VKK Pro B2 Pro C2 Pro D2 Pro D2i	FX110 CX110 C105VKK Pro B2 Pro C2 Pro D2 Pro D2i	FX170 CX170 C105VKK *) Pro B2 *) Pro C2 *) Pro D2 *) Pro D2i *)	FX170 CX170 C105VKK *) Pro B2 *) Pro C2 *) Pro D2 *) Pro D2i *)
UNITÀ DI AUMENTO DI POTENZA *)				
	QU90E	QU105E	QU120E	QU150E
È possibile controllare i modelli più recenti di unità di aumento di potenza sul nostro sito web harvia.com	LTY17 0-S2-18 0-S2-18S	LTY17 0-S2-18 0-S2-18S	LTY17 0-S2-18 0-S2-18S	LTY17 0-S2-18 0-S2-18S
*) opzionale, deve essere utilizzata se 2 gruppi o più di 11kW				

Tabella 1. Informazioni tecniche

6. ISTRUZIONI PER L'INSTALLAZIONE

! Rispettare sempre i valori indicati nelle istruzioni per l'uso del dispositivo. Se non si seguono queste istruzioni, c'è il rischio di incendio.

! Nella sauna può essere installata una sola stufa elettrica, salvo diversa indicazione nelle istruzioni.

! Il dispositivo deve essere installato in modo tale che i testi delle avvertenze siano facilmente leggibili dopo l'installazione.

6.1. Distanza di sicurezza

- Le distanze minime di protezione dal materiale combustibile sono indicate nella figura (Figura 1. Distanza di sicurezza).
- Se viene installata una barriera di protezione attorno alla stufa per sauna, devono essere rispettate le distanze di sicurezza indicate nella figura (Figura 1. Distanza di sicurezza) o nelle istruzioni di installazione per la barriera di protezione.

(min. mm)

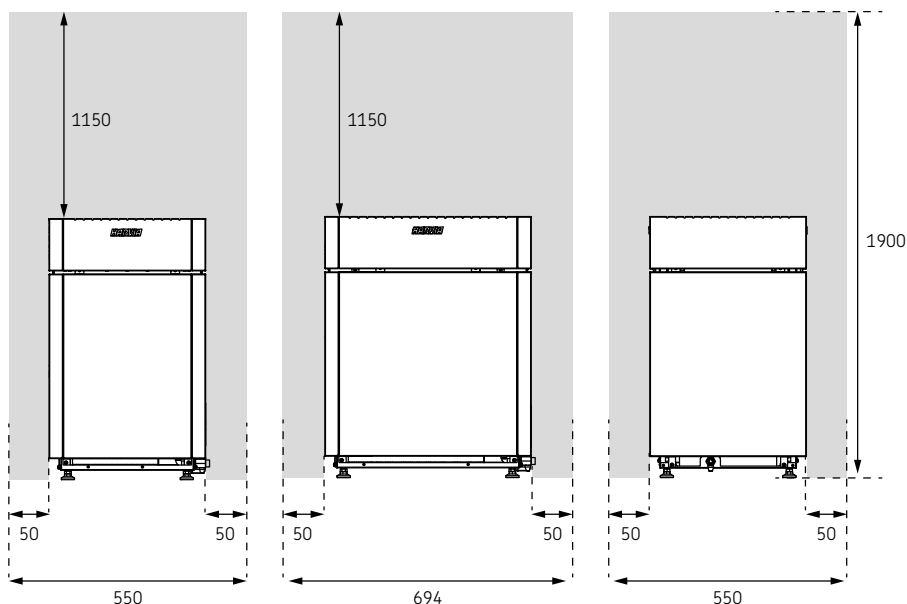


Figura 1. Distanza di sicurezza

6.2. Installazione della stufa per sauna

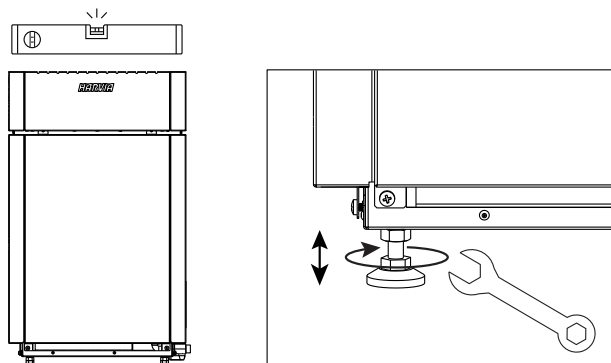


Figura 2. Installazione della stufa per sauna

6.3. Installazione della centralina e dei sensori



Non posizionare lo sfiatatoio di entrata dell'aria in modo che il flusso d'aria raffreddi il sensore di calore.

- La centralina viene fornita con istruzioni dettagliate per il montaggio a parete.
- Installare il sensore di calore come mostrato nella figura. Se la stufa per sauna è installata a più di 150 mm dalla parete, il sensore deve essere installato sul soffitto.

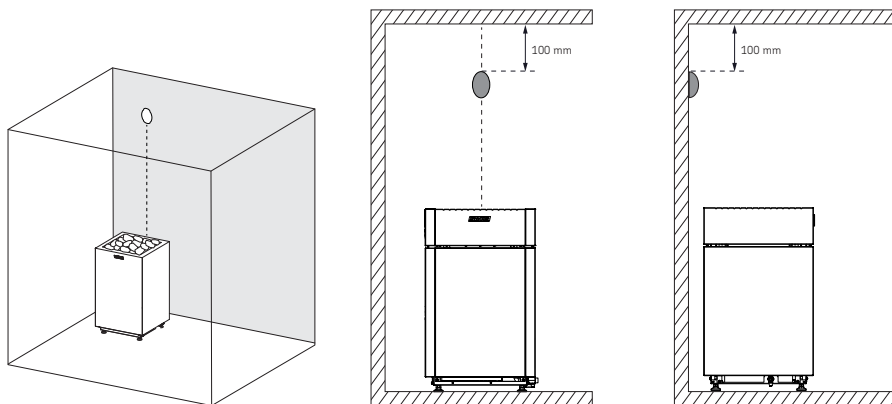


Figura 3a. Installazione del sensore di calore sulla parete

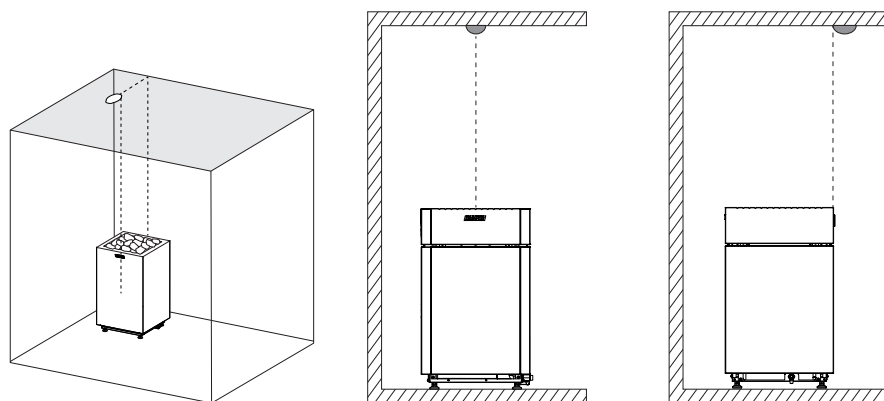


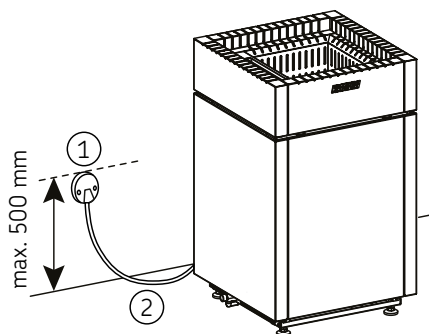
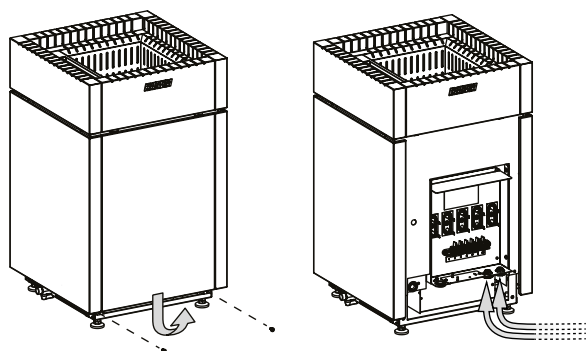
Figura 3b. Installazione del sensore di calore sul soffitto

6.4. Collegamenti elettrici



La stufa per sauna può essere collegata alla rete elettrica solo da un elettricista qualificato, in conformità con le normative vigenti.

- La stufa per sauna è collegata in modo semi-fisso alla scatola di derivazione sulla parete della sauna. La scatola di derivazione deve essere resistente agli schizzi e non deve essere posizionata a più di 500 mm sopra il pavimento.
- Il cavo di collegamento dovrebbe essere di tipo H07RN-F in gomma o equivalente. **ATTENZIONE:** L'uso di un cavo con isolamento in PVC come cavo di collegamento per la stufa per sauna è vietato a causa della sua scarsa resistenza termica.
- Se i cavi di collegamento o di installazione sono posizionati nella sauna o all'interno delle pareti della sauna a un'altezza superiore a 1.000 mm dal pavimento, devono essere in grado di resistere a una temperatura di almeno 170 °C sotto carico (ad esempio, cavi con guaina in silicone). Gli apparecchi elettrici installati a un'altezza superiore ai 1.000 mm sopra il pavimento della sauna devono essere approvati per l'uso a una temperatura ambiente di 125 °C (contrassegnati con T125).



- | |
|---------------------------|
| 1. Scatola di derivazione |
| 2. Cavo |

Figura 4. Collegamenti elettrici

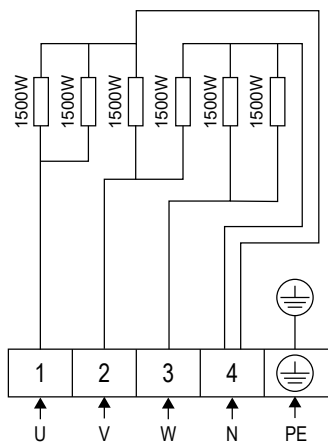


Figura 5. Schema elettrico QU90E

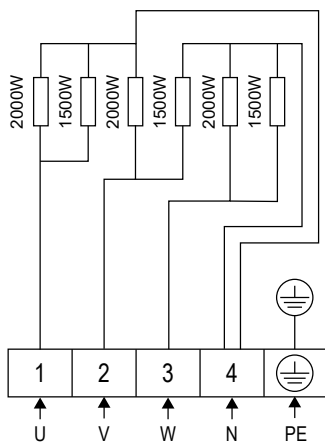
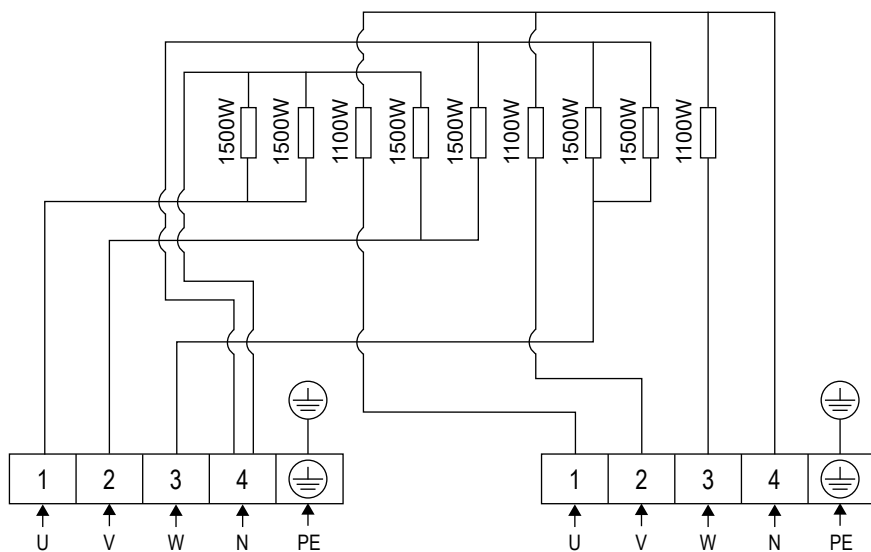


Figura 6. Schema elettrico QU105E



All'amplificatore di potenza
9 kW

Per il controllo della sauna
3.3 kW

Figura 7. Schema elettrico QU120E

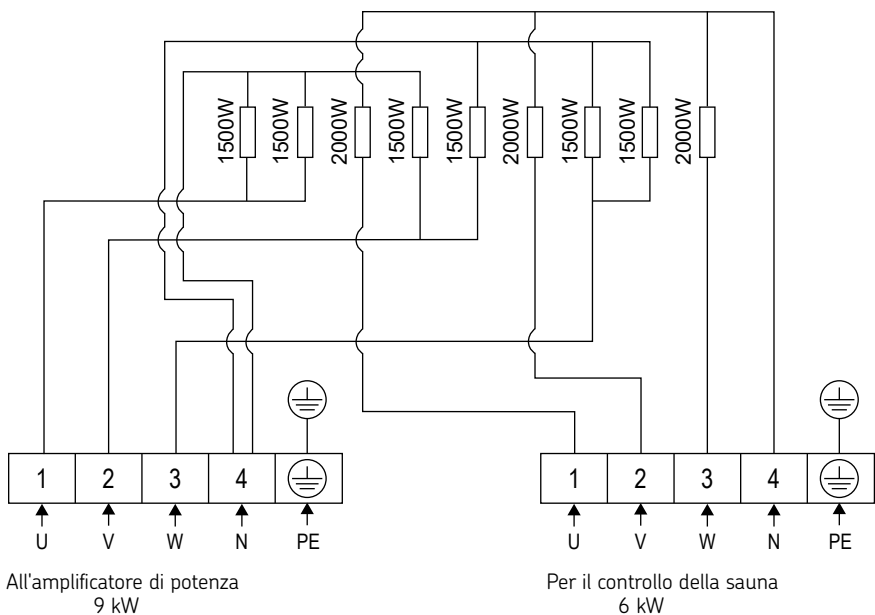


Figura 8. Schema elettrico QU150E

6.5. Resistenza di isolamento della stufa elettrica per sauna



Non collegare l'alimentazione elettrica alla stufa tramite un interruttore differenziale!

Durante l'ispezione finale delle installazioni elettriche, la misurazione della resistenza di isolamento della stufa per sauna potrebbe indicare una "dispersione" a causa dell'umidità nell'aria assorbita (durante lo stoccaggio/trasporto) nel materiale isolante della resistenza. L'umidità può essere rimossa dalle resistenze dopo un paio di cicli di riscaldamento.

6.6. Posizionamento delle pietre da sauna

! Le pietre per la stufa della sauna sono importanti per la sicurezza della stufa stessa. Affinché la garanzia rimanga valida, l'utente è tenuto ad assicurare la corretta manutenzione dello scomparto per le pietre secondo le specifiche del modello e le istruzioni.

! Non posizionare oggetti o dispositivi nello scomparto per le pietre della stufa per sauna o nelle sue vicinanze che possano alterare la quantità o la direzione del flusso d'aria attraverso la stufa.

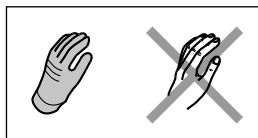
! Se una resistenza non è circondata da pietre, può surriscaldare materiali in modo pericoloso, anche oltre le distanze di sicurezza della stufa. Assicurarsi che le resistenze non siano visibili tra le pietre. L'acquirente è responsabile di garantire l'adeguata manutenzione dello scomparto per le pietre per tutto il ciclo di vita della stufa.


Informazioni importanti sulle pietre da sauna adatte:

- I materiali adatti sono peridotite, diabase con olivina, olivina e vulcanite.
- Utilizzare solo superfici di clivaggio e/o pietre arrotondate all'interno della stufa.
- Se le resistenze della stufa elettrica per sauna si trovano a contatto con le pietre, utilizzare pietre arrotondate solo negli strati esterni dello scomparto per le pietre.
- Pietra ceramica e pietre decorative possono essere utilizzate solo se approvate dal produttore e utilizzate secondo le sue istruzioni.
- Si segnala che le pietre decorative possono essere usate soltanto nello strato superiore dello scomparto per le pietre. È importante lasciare dello spazio tra le pietre decorative per garantire una sufficiente circolazione dell'aria. Posizionare eventuali pietre decorative in modo che non tocchino le resistenze della stufa elettrica per sauna.
- La garanzia non copre eventuali difetti causati dall'uso di pietre decorative o pietre da sauna non consigliate dal produttore.
- Risciacquare la polvere dalle pietre prima di metterle nella stufa.

Nel posizionare le pietre, rispettare le seguenti indicazioni:

- Iniziare con le pietre più grandi, posizionandole sul fondo e sui lati. Ciò garantisce una ventilazione sufficiente dell'aria e costituisce una base stabile per lo scomparto per le pietre.
- Aggiungere le pietre una per una. Non lasciarle cadere nello scomparto per le pietre.
- Non impilare le pietre sulla stufa. Le pietre possono raggiungere il livello dei condotti dell'aria della stufa. Una quantità eccessiva di pietre riduce la ventilazione e indebolisce le proprietà della stufa.
- È consigliabile conservare alcune pietre in più per sostituire quelle rotte o per aggiungerne se il livello delle pietre si abbassa nel tempo.



	QU90E QU105E	QU120E, QU150E
	Ø 5-10 cm	Ø 5-10 cm
	25 kg	40 kg

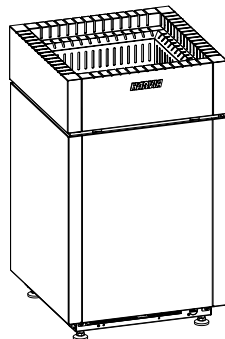
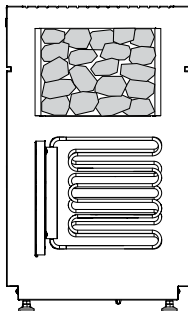
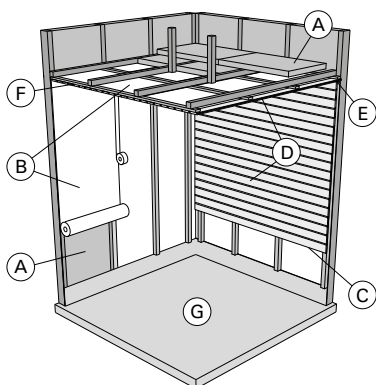


Figura 9. Posizionamento delle pietre da sauna

7. LA STANZA DELLA SAUNA

7.1. Struttura della stanza della sauna



- A. Legno isolante con spessore di 50–100 mm. La stanza della sauna deve essere isolata con attenzione in modo che la potenza di uscita della stufa venga tenuta moderatamente bassa.
- B. Protezione da umidità, ad es. carta di alluminio. Rivolgere la parte lucida della carta verso la sauna. Chiudere le cuciture con nastro di alluminio.
- C. Spazio di ventilazione di circa 10 mm tra la protezione da umidità e il pannello (consigliato).
- D. Tavola per pannello spessa 12–16 mm a massa ridotta. Prima di iniziare il rivestimento, controllare il cablaggio elettrico e i rinforzi nelle pareti necessari per stufa e panchine.
- E. Spazio di ventilazione di circa 3 mm tra la parete e il pannello per soffitto.
- F. Di norma, l'altezza della sauna è di 2100–2300 mm. L'altezza minima dipende dalla stufa (>Dati tecnici). Lo spazio tra la panchina superiore e il soffitto non deve superare i 1200 mm.
- G. Usare rivestimenti per pavimenti costituiti da materiali in ceramica e stucchi scuri comuni. Le particelle che si disintegrano dalle pietre della sauna e le impurità dell'acqua della sauna possono macchiare e/o danneggiare i rivestimenti dei pavimenti delicati.

NOTA! Contattare le autorità competenti in caso di incendi per sapere quali parti della paratia antifiamma isolare. I tubi non utilizzati non devono essere isolati.

NOTA! I coperchi protettivi leggeri installati direttamente a parete o al soffitto possono causare incendi.

NOTA! Accertarsi che l'acqua che gocciola sul pavimento della sauna entri nel canalino di scolo a terra.

7.2. Potenza di uscita della stufa

Quando le pareti ed il soffitto sono coperti da pannelli e l'isolamento dietro i pannelli è sufficiente ad impedire al calore di raggiungere i materiali dei muri, la portata del riscaldatore viene stabilita in base al volume cubico della sauna. Le pareti non isolate (mattoni, vetromattone, vetro, cemento, piastrelle, ecc.) aumentano la richiesta di potenza di uscita della stufa. Aggiungere 1,2 m³ al volume della sauna per ogni metro quadrato di parete o soffitto non isolati. Ad esempio, una stanza della sauna di 10 m³ con porta a vetri corrisponde ad un requisito di potenza di uscita equivalente ad una stanza della sauna di 12 m³. Se la stanza della sauna ha pareti lunghe, moltiplicare il volume della sauna per 1,5. (5. Informazioni tecniche)

7.3. Annerimento delle pareti della sauna

È del tutto normale che le superfici in legno della stanza della sauna si anneriscano con il tempo. L'annerimento può essere accelerato da:

- luce solare
- caldo proveniente dalla stufa
- agenti protettivi sulle pareti (gli agenti protettivi hanno uno scarso livello di resistenza al calore)
- piccole particelle che si disintegrano dalle pietre della sauna e si sollevano con il flusso dell'aria.

7.4. Ventilazione della stanza della sauna

! Il sensore di temperatura deve essere sempre installato nella posizione specificata. Se non viene rispettata la distanza minima dallo sfiato dell'aria di alimentazione, è necessario modificare la ventilazione!

! Non posizionare lo sfiato di entrata dell'aria in modo che il flusso d'aria raffreddi il sensore di temperatura

- L'aria all'interno della stanza della sauna deve cambiare sei volte ogni ora.
- Ventilazione meccanica: lo sfiato dell'aria di alimentazione deve essere posizionato nella parte superiore della sauna, in modo da non interferire con il funzionamento del sensore di temperatura. (Figura 9. Distanza minima tra lo sfiato dell'aria di alimentazione e il sensore di temperatura.)
- Ventilazione a pressione: lo sfiato dell'aria di alimentazione deve essere installato sotto o accanto alla stufa della sauna. Il diametro dello sfiato dell'aria di alimentazione deve essere compreso tra 50 e 100 mm.
- Sfiato di uscita dell'aria. Posizionare lo sfiato di uscita dell'aria accanto al pavimento, il più lontano possibile dalla stufa. Il diametro dello sfiato di uscita dell'aria deve essere il doppio rispetto a quello di entrata.
- Ventola opzionale per l'asciugatura (chiusa durante il riscaldamento e la sauna). La sauna può essere asciugata anche lasciando la porta aperta al termine.
- Se lo sfiato di uscita dell'aria si trova in bagno, lo spazio sotto la porta della sauna deve essere di almeno 100 mm. La ventilazione di scarico meccanica è obbligatoria.

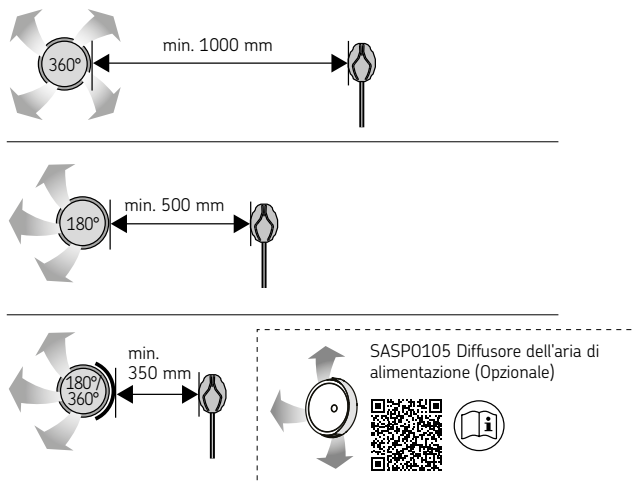


Figura 10. Distanza minima tra lo sfiato dell'aria di alimentazione e il sensore di temperatura.

7.5. Igiene della stanza della sauna

- Usare degli asciugamani durante la sauna per evitare che il sudore coli sulle panchine.
- La stanza della sauna dovrebbe essere lavata da cima a fondo perlomeno ogni sei mesi. Spazzolate le pareti, le piattaforme ed il pavimento utilizzando una spazzola e con un prodotto specifico per saune.
- La polvere e lo sporco sul riscaldatore vanno eliminati con uno straccio umido. Rimuovere le macchie di calcare dalla stufa con una soluzione di acido citrico al 10% e risciacquare.

8. ISTRUZIONI PER L'USO

8.1. Utilizzo della stufa per sauna



Controllare sempre che non ci siano oggetti sopra o vicino alla stufa per sauna prima di accenderla.

- La stufa per sauna viene gestita tramite una centralina separata. Fare riferimento alle istruzioni per l'uso fornite con la centralina.
- La stufa per sauna e le pietre emettono odore durante il primo utilizzo, la cui eliminazione richiede una buona ventilazione nella stanza della sauna.
- Se la stufa per sauna ha una potenza adeguata alla dimensione della stanza della sauna, un ambiente correttamente isolato termicamente raggiunge la temperatura di esercizio in circa un'ora. Le pietre della stufa per sauna di solito si riscaldano nello stesso tempo della stanza della sauna.
- Una temperatura adeguata nella stanza della sauna è di circa 65-80 °C.

8.2. Getto d'acqua



Non utilizzare un mestolo con una capacità superiore a 0,2 litri. Se si getta o si versa troppa acqua sulla stufa per sauna in una sola volta, questa può schizzare sugli utenti dopo essere diventata bollente.



Per evitare il rischio di ustioni, non gettare acqua sulla stufa per sauna quando qualcuno si trova nelle sue vicinanze.

- L'aria nella sauna diventa secca quando la sauna viene riscaldata. È quindi necessario aumentare l'umidità gettando acqua sulle pietre della stufa per sauna.
- Ognuno percepisce il calore e l'umidità in modo diverso: sperimentare per trovare la temperatura e l'umidità più adatte a sé.
- Cercare di gettare l'acqua solo sulle pietre della stufa per sauna.

8.3. Requisiti di qualità dell'acqua

- L'acqua utilizzata nella sauna deve soddisfare i requisiti di qualità per l'acqua domestica (Tabella 2.).
- Utilizzare solo fragranze appositamente formulate per l'acqua della sauna. Seguire le istruzioni fornite con la fragranza.

Proprietà dell'acqua	Effetti	Raccomandazioni
Impurità organica	Colore, sapore, precipitazioni	<12 mg/l
Contenuto di ferro	Colore, odore, sapore, precipitazioni	<0,2 mg/l
Contenuto di manganese (Mn)	Colore, odore, sapore, precipitazioni	<0,10 mg/l
Durezza dell'acqua: gli ingredienti principali sono il calcio (Ca) e il magnesio (Mg)	Precipitazioni	Ca: <100 mg/l Mg: <100 mg/l
Acqua cloridrica	Corrosione	Cl: <100 mg/l
Acqua clorata	Rischio per la salute	Uso vietato
Acqua di mare	Corrosione rapida	Uso vietato
Concentrazioni di arsenico e radon	Rischio per la salute	Uso vietato

Tabella 2.

8.4. Istruzioni per l'utilizzo della sauna

- Iniziare la sessione di sauna lavandosi.
- Restare seduti nella sauna per tutto il tempo in cui ci si sente a proprio agio.
- Rallentare la mente e rilassarsi.
- Le buone maniere in sauna includono prestare attenzione agli altri utenti senza disturbarli con comportamenti rumorosi.
- Non allontanare le altre persone dalle panche con un eccessivo getto d'acqua.
- Rinfrescare la pelle. Se si è in buona salute, si può nuotare per rinfrescarsi.
- Lavarsi per concludere la sessione di sauna.
- Riposarsi e lasciare che il corpo si stabilizzi. Godersi una bevanda rinfrescante per ripristinare l'equilibrio dei liquidi.



Tutte le operazioni di manutenzione che richiedono competenze specifiche devono essere eseguite da un professionista qualificato.

9.1. Pietre da stufa per sauna

- A causa dei cicli termici intensi, le pietre della stufa per sauna si deterioreranno gradualmente e si sbricioleranno durante l'uso. Sostituire le pietre almeno una volta all'anno o più spesso se la sauna viene utilizzata molto frequentemente.
- Allo stesso tempo, rimuovere eventuali detriti di pietra accumulati e sostituire le pietre rotte. Questo garantirà che si mantengano le proprietà di vaporizzazione della stufa per sauna e che non vi sia rischio di surriscaldamento.
- Controllare di tanto in tanto se il livello delle pietre si è abbassato. Verificare che le resistenze non diventino visibili nel tempo. È probabile che il livello delle pietre si abbassi circa due mesi dopo che le pietre sono state posizionate.

9.2. Risoluzione dei problemi

La stufa per sauna non si riscalda

- Verificare che i fusibili della stufa per sauna nel pannello elettrico siano intatti.
- Verificare che il cavo di collegamento della stufa per sauna sia inserito correttamente.
- Verificare che la protezione termica di sicurezza non sia scattata (consultare le istruzioni di installazione della centralina).

La stanza della sauna si riscalda lentamente. L'acqua gettata sulla stufa per sauna raffredda rapidamente le pietre

- Verificare che i fusibili della stufa per sauna nel pannello elettrico siano intatti.
- Controllare che tutte le resistenze si accendano quando la stufa per sauna è accesa.
- Impostare una temperatura più elevata (consultare le istruzioni di installazione della centralina).
- Controllare che la potenza della stufa per sauna non sia troppo bassa.
- Controllare che la ventilazione della stanza della sauna sia efficace.

La stanza della sauna si riscalda rapidamente, ma le pietre non hanno il tempo di riscaldarsi. L'acqua gettata sulla stufa per sauna non evapora, ma fluisce attraverso lo scomparto per le pietre

- Controllare che la potenza della stufa per sauna non sia troppo alta.
- Controllare che la ventilazione della stanza della sauna sia efficace.

I pannelli o altro materiale vicino alla stufa per sauna si scuriscono rapidamente

- Assicurarsi che siano rispettate le distanze di sicurezza.
- Assicurarsi che le resistenze non siano visibili tra le pietre. Se sono visibili, riposizionare le pietre e assicurarsi che le resistenze siano completamente coperte.
- Si veda anche il punto (7.3. Annerimento delle pareti della sauna).

La stufa per sauna produce odore

- Consultare il punto (8.1. Utilizzo della stufa per sauna)
- Una stufa per sauna calda può intensificare gli odori presenti nell'aria, ma la sauna o la stufa non producono esse stesse odori. Esempi: vernici, colle, olio riscaldante e spezie.

La stufa per sauna produce rumore

- Colpi occasionali sono solitamente causati da pietre che si rompono con il calore.
- L'espansione termica delle parti della stufa per sauna può causare rumori quando la stufa si riscalda.

9.3. Sostituzione delle resistenze

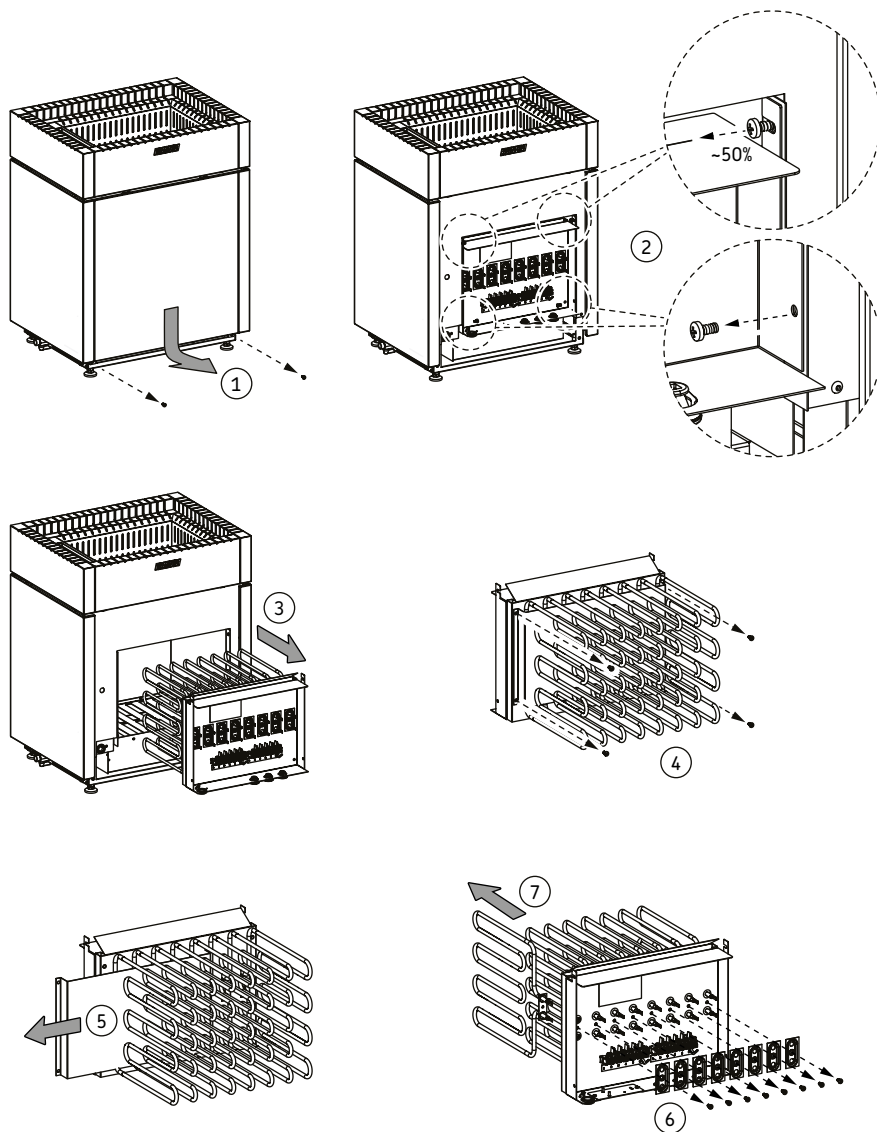


Figura 11. Sostituzione delle resistenze

10. PEZZI DI RICAMBIO

spareparts.harvia.com



11. GARANZIA

www.harvia.com



Let's sauna.



@ harviaglobal

GLOBAL

Harvia Finland
Teollisuustie 1-7
40951 Muurame
FINLAND
T +358 207 464 000
harvia@harvia.com

CENTRAL EUROPE

Harvia Austria GmbH
Wartenburger Straße 31
4840 Vöcklabruck
AUSTRIA
T +43 (0) 7672 22 900-50
info@harvia.com